

MODEL OF AIRCONDITIONER

CCX

PARTS LIST



MULTIAQUA, INC.

2701 S.W. 145 AVENUE, SUITE #220

MIRAMAR, FLORIDA 33027 U.S.A.

Tel: (954) 431-1300 • Fax: (954) 431-1303 • email: support@multiaqua.com

www.multiaqua.com

FOR COOL ONLY SYSTEM

GENERAL INFORMATION

This parts list shows all the parts used in your air conditioner for model CCX.

Please file this parts list for reference and refer to it when you order parts or maintain the air conditioner.

This edition has been divided into section. Each section corresponds to one of the 3 different units making up the air conditioner.

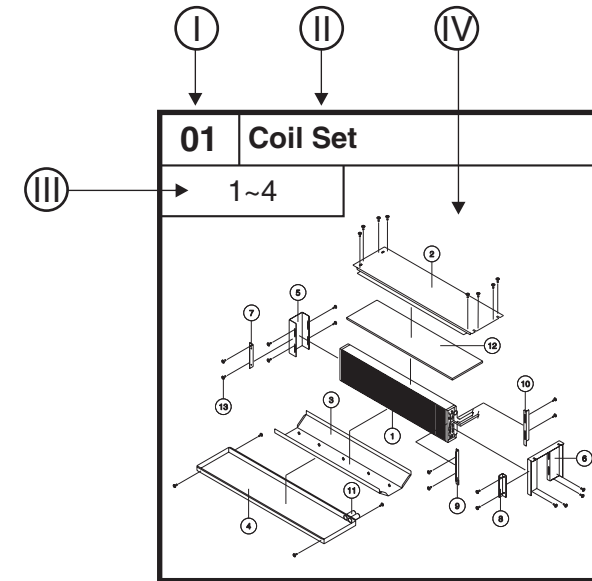
Unit No.

- 01 Coil set
- 02 Motor and blower set
- 03 Wire set

The scale used on each page of drawing is different. Please be aware that parts may seem to be different sizes on different pages.

INTRODUCTION

1. TABLE OF CONTENTS



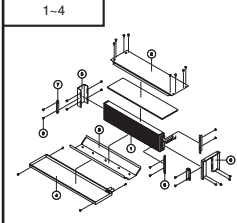
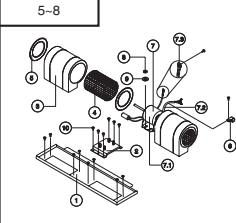
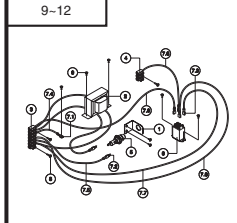
- ⓪ Unit number
- Ⓛ Unit Name
- Ⓜ Corresponding Page Nos.
- Ⓨ Assembly drawings shown in the main text.

Specifications subject to change without notice.

ORDER INSTRUCTIONS

1. Use the drawings in the Table of Contents to find the pages on which the part in question is shown in greater

CONTENTS (1)

| 01 | Coil Set | 02 | Cabinet Set | 03 | Motor and Blower Set |
|-----|---|-----|---|------|---|
| 1-4 |  | 5-8 |  | 9-12 |  |

This units is shown on
Page 5~8



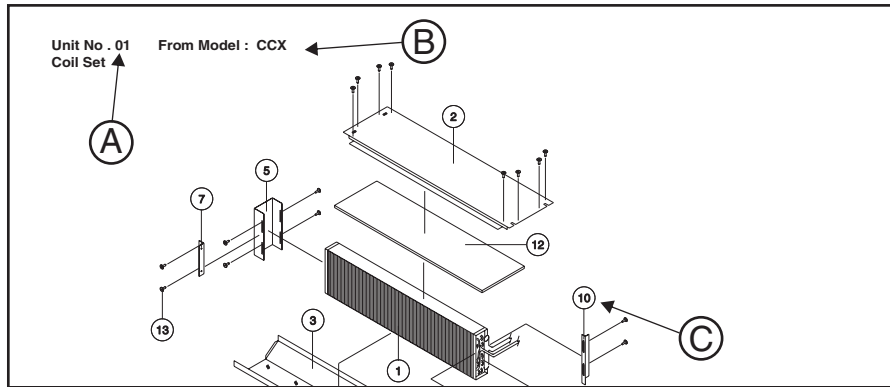
2. Spread out the referred pages.

3. Use the drawings and corresponding lists to confirm the specs, etc. Of the part in question.

4. When ordering, please supply the following information:

- (1) Machine Model
- (2) Serial number
- (3) Parts number
- (4) Parts name
- (5) Quantity

2. MAIN TEXT



| Index No. | Parts No. | Parts Name | Drawing No. | Type (Marker) | Quantity | | | | | | Note | |
|-----------|-----------|-------------------------------|-----------------|---------------|----------|----|----|----|----|----|------|----|
| | | | | | 04 | 06 | 08 | 10 | 12 | 16 | | 20 |
| 1 | | Coil Assy | | | | | | | | | | |
| | | Coil Cool Size: 8x30x2Rx2C | DG-DC-CO-AG-04- | | 1 | | | | | | | |
| | | Coil Cool Size: 8x30x3Rx3C | | | | 1 | | | | | | |
| | | Coil Cool Size: 8x30x4Rx4C | | | | | 1 | | | | | |
| | | Coil Cool Size: 10x40x3Rx4C | | | | | | 1 | | | | |
| | | Coil Cool Size: 10x40x3Rx4C | | | | | | | 1 | | | |
| | | Coil Cool Size: 10x59.5x3Rx8C | | | | | | | | 1 | | |

(A) Unit Number and Name

The Unit Number and Name are shown on relevant pages.

(B) Machine Model

The Model of machine corresponding to the information shown.

(C) Index Number

The Index Number for each part in a drawing is shown and corresponds to the list of parts for that drawing.

(D) Parts Number

The individual Code No for each part the Model CCX is shown.

(E) Parts Name

The Name (description) of each part.

(F) Drawing Number

The Number of drawing relevant to the part are given.

(G) Type (Maker)

The type description and manufacturer of each marketed item are shown.

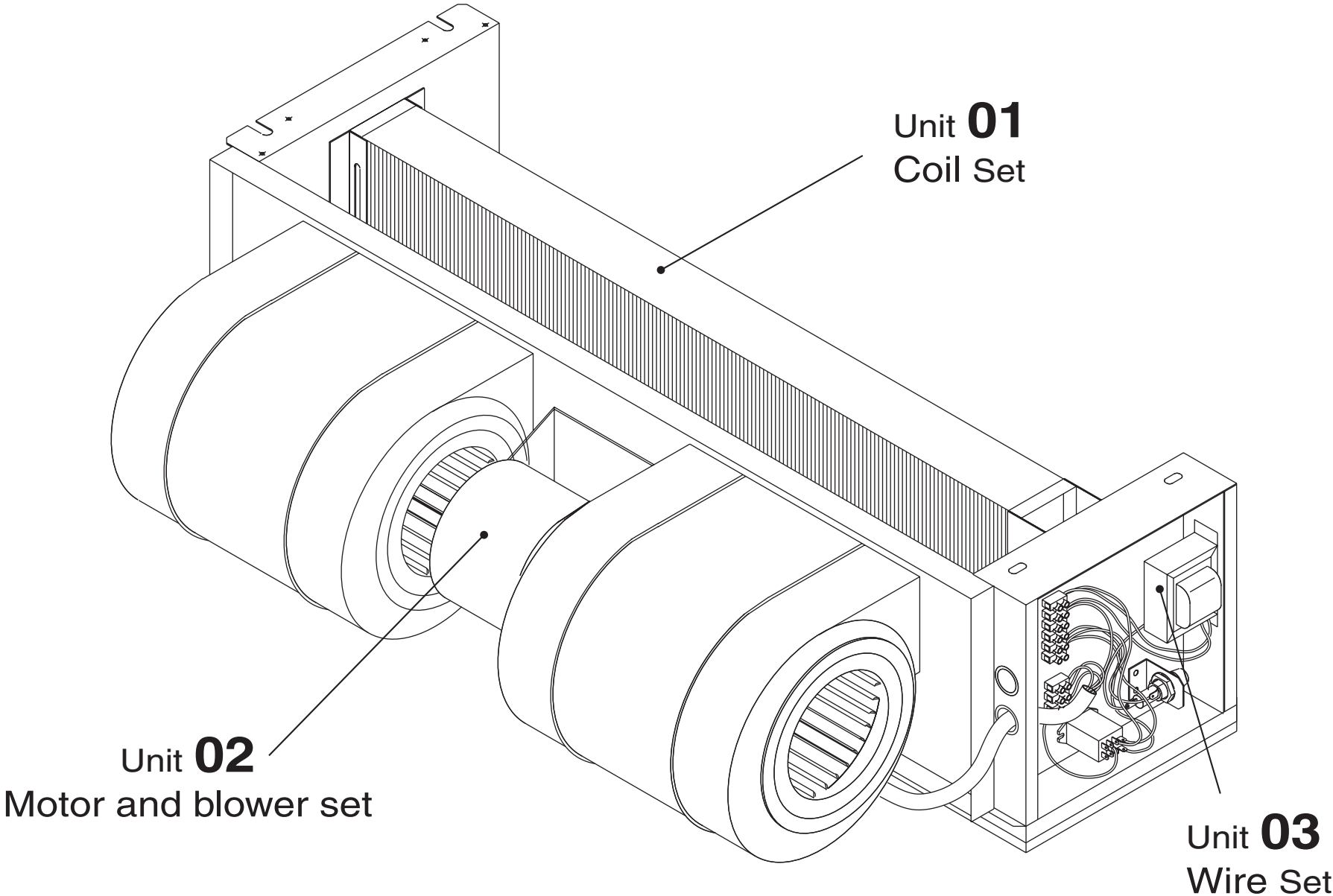
(H) Quantity

The quantity of each part used on the each capacitor.

(I) Notes

Cautions and notes necessary to the ordering of each part.

MACHINE COMPONENT



MACHINE COMPONENT

