

WALL MOUNT - INDOOR UNIT

**MODEL OF AIRCONDITIONER**

**MHWW-12-H-1**

**PARTS LIST**



MULTIAQUA, INC.

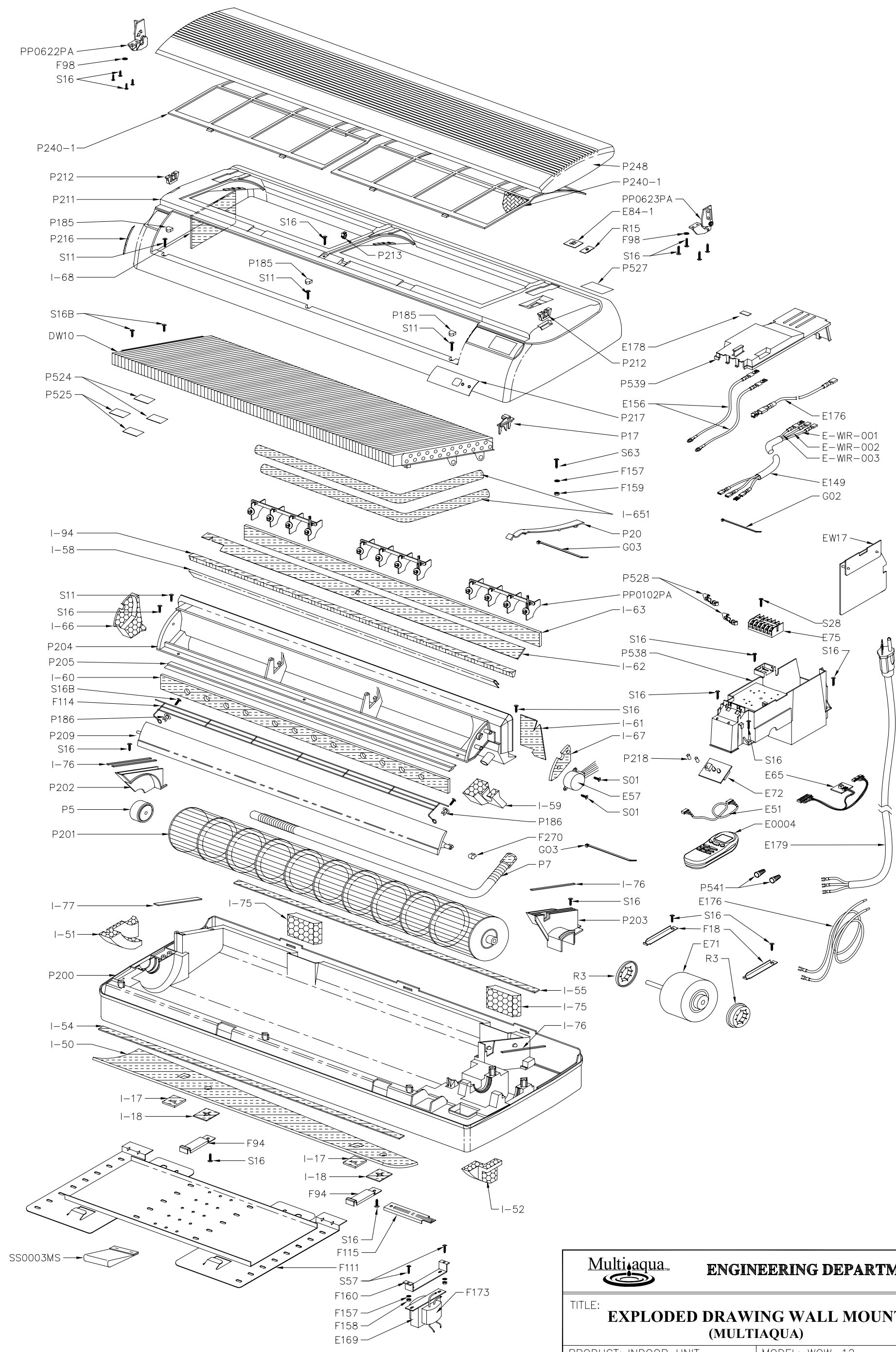
2701 S.W. 145 AVENUE, SUITE #220

MIRAMAR, FLORIDA 33027 U.S.A.

Tel: (954) 431-1300 • Fax: (954) 431-1303 • email: [support@multiaqua.com](mailto:support@multiaqua.com)

[www.multiaqua.com](http://www.multiaqua.com)

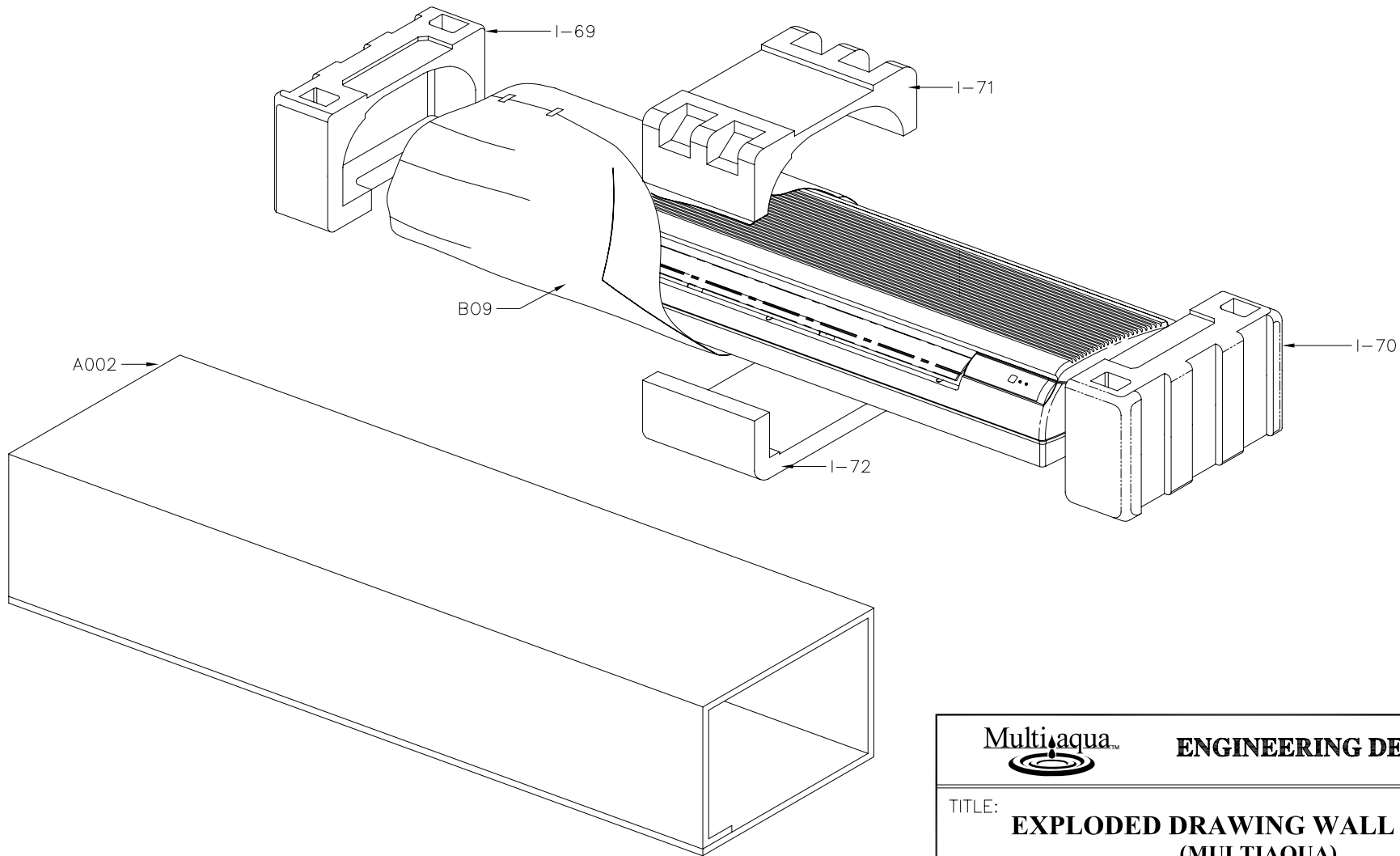
THIS DRAWING SHALL NOT BE COPIED WITHOUT A PRIOR WRITTEN PERMISSION FROM THIS COMPANY.




<b>MultiAqua</b>		<b>ENGINEERING DEPARTMENT</b>		
<b>TITLE: EXPLODED DRAWING WALL MOUNT (MULTIAQUA)</b>				
PRODUCT: INDOOR UNIT		MODEL: WQW-12		
MATERIAL: N/A		QTY PER UNIT: N/A	SHEET 1 OF 2	
TOLERANCES UNLESS OTHERWISE SPECIFIED		.X ±0.8	.XX ±0.3	SCALE: NTS
DRWN: R.M.A.		DATE: 12APR01	FN: EXPWQW12H_MUL	
CHKD: F.S.R.		DATE: 12APR01	DWNG NO.: WQ01031B	
APPD: F.S.R.		DATE: 12APR01	PART NO.: N/A	

NO.	REVISION	DATE	REV BY	CHK BY	APPD BY
C	PARTS NO. WERE CHANGE AS PER BOM ISSUED ON 14JAN06	22MAY06	R.M.A.	D.P.A.	F.S.R.
B	PARTS NO. WERE CHANGE AS PER BOM ISSUED ON 19SEP05	05JAN06	R.M.A.	D.P.A.	F.S.R.
A	REDRAWN WITH CHANGES.	01AUG04	R.M.A.	W.J.	F.S.R.

THIS DRAWING SHALL NOT BE COPIED WITHOUT A PRIOR WRITTEN PERMISSION FROM THIS COMPANY.



NO.	REVISION	DATE	REV BY	CHK BY	APPD BY
C	PARTS NO. WERE CHANGE AS PER BOM ISSUED ON 14JAN06	22MAY06	R.M.A.	D.P.A.	F.S.R.
B	PARTS NO. WERE CHANGE AS PER BOM ISSUED ON 19SEP05	05JAN06	R.M.A.	D.P.A.	F.S.R.
A	REDRAWN WITH CHANGES.	01AUG04	R.M.A.	W.J.	F.S.R.

		<b>ENGINEERING DEPARTMENT</b>	
TITLE: <b>EXPLODED DRAWING WALL MOUNT (MULTIAQUA)</b>			
PRODUCT: INDOOR UNIT		MODEL: QW-12	
MATERIAL: N/A		QTY PER UNIT: N/A	SHEET 2 OF 2
TOLERANCES UNLESS OTHERWISE SPECIFIED		.X ±0.8	.XX ±0.3
HOLE SPACING AND LOCATION ±0.2 NON-CUMULATIVE			
DRWN: R.M.A.		DATE: 12APR01	FN: EXPWQW12H_MUL
CHKD: F.S.R.		DATE: 12APR01	DWNG NO.: WQ01031A
APPD: F.S.R.		DATE: 12APR01	PART NO.: N/A

**MHWW-12-H-1 PARTLIST**

SEQ.	PART NO.	DESCRIPTION	UM	QTY
NO.	AIRCON			
1	<b>A002</b>	CARTON BOX AMULWQ-12/18S LOGO MULTIAQUA	PC	1
2	<b>B09</b>	AIR BUBBLE BAG 46 x 108 x 30 CM.	PC	1
3	<b>DW10</b>	WATER COIL : 790 x 228 mm x 2R x 3C x 3/8" Ø PLAIN TUBE x 20 FPI x SLIT FIN x FLARE CONNECTOR x Ø 1/2" x Ø 1/2" FLEXIBLE COPPER TUBE Ø 1/2" (ID) x Ø 1/2" (OD)	SET	1
4	<b>E51</b>	WIRE HARNESS FOR IR RECEIVER	PC	1
5	<b>E57</b>	STEP MOTOR MODEL ST-35	PC	1
6	<b>E65</b>	AUXILLARY SWITCH WITH WIRE HARNESS	PC	1
7	<b>E71</b>	MOTOR RPS-16C 220V 50/60 Hz 12K	PC	1
8	<b>E72</b>	LAMPBOARD	PC	1
9	<b>E75</b>	TERMINAL BLOCK HP-T3036 (6P)	PC	1
10	<b>E84-1</b>	STICKER ON/OFF	PC	1
11	<b>E149</b>	INSULATION WIRE HARNESS	PC	1
12	<b>E169</b>	TRANSFORMER 24V (CSE)	PC	1
13	<b>E156</b>	GROUND WIRE 18AWG ,1015 (GRE/YEL)	PC	2
14	<b>E176</b>	ELECTRICAL WIRE - YELLOW 24" 18AWG. W/QUICK CONNECTOR	PCS	2
15	<b>E178</b>	CONTROLLER FUSE STICKER	PC	1
16	<b>E179</b>	POWER SUPPLY CORD (SJOW 18AWG/3)	PC	1
17	<b>E0004</b>	REMOTE HANDSET (EPSILON) H/C SCREEN LOGO MULTIAQUA	PC	1
18	<b>EW17</b>	MAIN PCB "MICONTECH" WATER HEAT/COOL	PC	1
19	<b>E-WIR-001</b>	ELECTRICAL WIRE - RED 9" 18AWG. W/QUICK CONNECTOR	PC	1
20	<b>E-WIR-002</b>	ELECTRICAL WIRE - WHITE 9" 18AWG. W/QUICK CONNECTOR	PC	1
21	<b>E-WIR-003</b>	ELECTRICAL WIRE - YELLOW 9" 18AWG. W/QUICK CONNECTOR	PC	1
22	<b>F18</b>	BRACKET MOTOR	PCS	2
23	<b>F94</b>	PIPING CLAMP # 2	PCS	2
24	<b>F98</b>	FLAT WASHER Ø 7.0 mm x Ø 15 x 1.5 mm	PCS	2
25	<b>F111</b>	MOUNTING BRACKET	PC	1
26	<b>F114</b>	WIRE GUARD	PC	1
27	<b>F115</b>	PIPING CLAMP # 1	PC	1
28	<b>F157</b>	STAR WASHER	PCS	6
29	<b>F158</b>	HEX. NUT M4 x 0.07 (METAL)	PCS	4
30	<b>F159</b>	HEX. NUT M4 x 0.07 (BRASS)	PCS	2
31	<b>F160</b>	BRACKET TRANSFORMER	PC	1
32	<b>F173</b>	TRANSFOR ENCLOSURE	PCS	2
33	<b>F270</b>	METAL SLEEVE FOR HORIZONTAL LOUVER WQ-12/18S	PC	1
34	<b>G02</b>	TIE WIRE 4"	PCS	4

35	<b>G03</b>	TIE WIRE 8"	PCS	2
36	<b>I-17</b>	INSUL. BACK SEAL # 1	PCS	2
37	<b>I-18</b>	INSUL. BACK SEAL # 2	PCS	2
38	<b>I-50</b>	INSUL. BASE PAN - BACK	PC	1
39	<b>I-51</b>	INSUL. FOAM BASE PAN BACK - L	PC	1
40	<b>I-52</b>	INSUL. FOAM BASE PAN BACK - R	PC	1
41	<b>I-54</b>	INSUL. BASE PAN RAIL	PC	1
42	<b>I-55</b>	INSUL. BASE PAN TOP	PC	1
43	<b>I-58</b>	GRAY CLOTH WITH PVC	PC	1
44	<b>I-59</b>	INSUL. FOAM INSERT-DRAIN PAN-R	PC	1
45	<b>I-60</b>	INSUL. DEFLECTOR	PC	1
46	<b>I-61</b>	INSUL. DRAIN SIDE	PC	1
47	<b>I-62</b>	INSUL. DRAIN PAN STRIP	PC	1
48	<b>I-63</b>	INSUL. DRAIN PAN TOP	PC	1
49	<b>I-66</b>	INSUL. FOAM DRAIN PAN LEFT	PC	1
50	<b>I-67</b>	INSUL. DRAIN PAN R	PC	1
51	<b>I-68</b>	INSUL. FRAME SIDE - L	PC	1
52	<b>I-69</b>	PACKAGING FOAM LH	PC	1
53	<b>I-70</b>	PACKAGING FOAM RH	PC	1
54	<b>I-71</b>	PACKAGING FOAM TOP - MIDDLE	PC	1
55	<b>I-72</b>	PACKAGING FOAM BOTTOM - MIDDLE	PC	1
56	<b>I-75</b>	SEAL BLOCK	PCS	2
57	<b>I-76</b>	INSUL. BASE PAN SUPPORT - BTM. R AND L	PCS	4
58	<b>I-77</b>	INSUL. BASE PAN SUPPORT - TOP - L	PC	1
59	<b>I-94</b>	INSUL. DRAIN PAN FRONT	PC	1
60	<b>I-651</b>	INSULATION TUBE 16 mm ID x 6 mm THK x 1000 mm L (AEROFLEX)	PCS	2
61	<b>P5</b>	NYLON PIVOT W/RUBBER	PC	1
62	<b>P7</b>	FLEXIBLE, DRAIN HOSE	PC	1
63	<b>P17</b>	SENSOR HOLDER WHITE	PC	1
64	<b>P20</b>	STRAP EVAP - WHITE	PC	1
65	<b>P185</b>	SCREW COVER	PCS	3
66	<b>P186</b>	PLASTIC SCREW RIVET F386	PCS	2
67	<b>P200</b>	BASE PAN WQ-12/18S	PC	1
68	<b>P201</b>	BLOWER Ø 97 x 805 mm	PC	1
69	<b>P202</b>	EVAP SUPPORT - L	PC	1
70	<b>P203</b>	EVAP SUPPORT - R	PC	1
71	<b>P204</b>	DRAIN PAN	PC	1
72	<b>P205</b>	DRAIN PAN STRIP	PC	1
73	<b>P209</b>	HORIZONTAL LOUVER	PC	1

74	<b>P211</b>	FRAME GRILL	PC	1
75	<b>P212</b>	LOCK SIDE	PCS	2
76	<b>P213</b>	LOCK CENTER	PC	1
77	<b>P248</b>	DECO PANEL SCREEN LOGO MULTIAQUA	PC	1
78	<b>P216</b>	LOUVER STICKER	PC	1
79	<b>P217</b>	DISPLAY MEMBRANE WQ-12/18S	PC	1
80	<b>P218</b>	LAMP SLEEVE (KNT TUBE C)	PC	1
81	<b>P240-1</b>	AIR FILTER WQ-12/18S (GREEN)	PCS	2
82	<b>P524</b>	"WATER IN" STICKER	PCS	2
83	<b>P525</b>	"WATER OUT" STICKER	PCS	2
84	<b>P527</b>	STICKER WARNING	PC	1
85	<b>P528</b>	WIRE CLAMP	PCS	2
86	<b>P538</b>	CONTROL BOX	PC	1
87	<b>P539</b>	CONTROL BOX COVER	PC	1
88	<b>P541</b>	WIRE CONNECTOR	PCS	2
89	<b>PP0102PA</b>	DEFLECTOR ASSY WQ/WJ-09/18S	SET	3
90	<b>PP0622PA</b>	HINGE ASY LH WQ-SERIES	SET	1
91	<b>PP0623PA</b>	HINGE ASY RH WQ-SERIES	SET	1
92	<b>R3</b>	RUBBER MOTOR	PCS	2
93	<b>R15</b>	RUBBER CAP	PC	1
94	<b>S01</b>	SCREW 4 x 10 mm. (SMALL HEAD)	PCS	4
95	<b>S11</b>	SCREW 8 x 3/4" (POINTED)	PC	1
96	<b>S16</b>	SCREW 4 x 12 mm.	PCS	23
97	<b>S16B</b>	SCREW 4 x 12 mm. (BLACK)	PCS	4
98	<b>S21</b>	SCREW 4 x 8 mm. (POINTED)	PC	1
99	<b>S28</b>	SCREW 6 x 19 mm. (POINTED)	PC	1
100	<b>S34</b>	SCREW 4 x 12 mm. (8 X 12") (POINTED)	PCS	3
101	<b>S57</b>	SCREW 4 x 8 mm. (ROUND HEAD)	PCS	4
102	<b>S63</b>	SCREW 4 x 12 mm. (BRASS)	PC	1
103	<b>SS0003MS</b>	SCREW FOR BRCKET UNIT MOUNT WQ-09/18S	SET	1



