

WALL MOUNT - INDOOR UNIT

**MODEL OF AIRCONDITIONER**

**MHWW-18-H-1**

**PARTS LIST**



MULTIAQUA, INC.

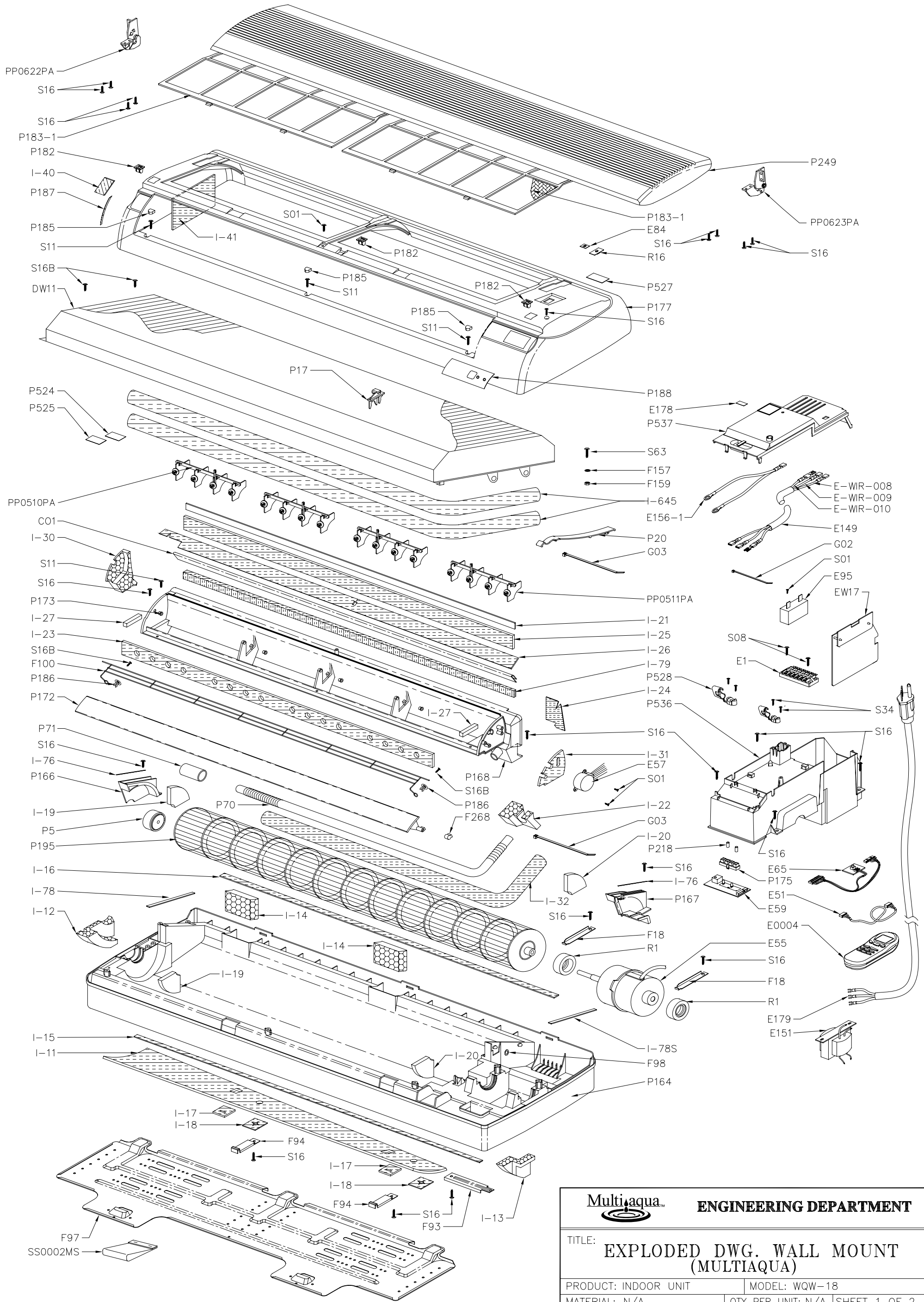
2701 S.W. 145 AVENUE, SUITE #220

MIRAMAR, FLORIDA 33027 U.S.A.

Tel: (954) 431-1300 • Fax: (954) 431-1303 • email: [support@multiaqua.com](mailto:support@multiaqua.com)

[www.multiaqua.com](http://www.multiaqua.com)

THIS DRAWING SHALL NOT BE COPIED WITHOUT A PRIOR WRITTEN PERMISSION FROM THIS COMPANY.

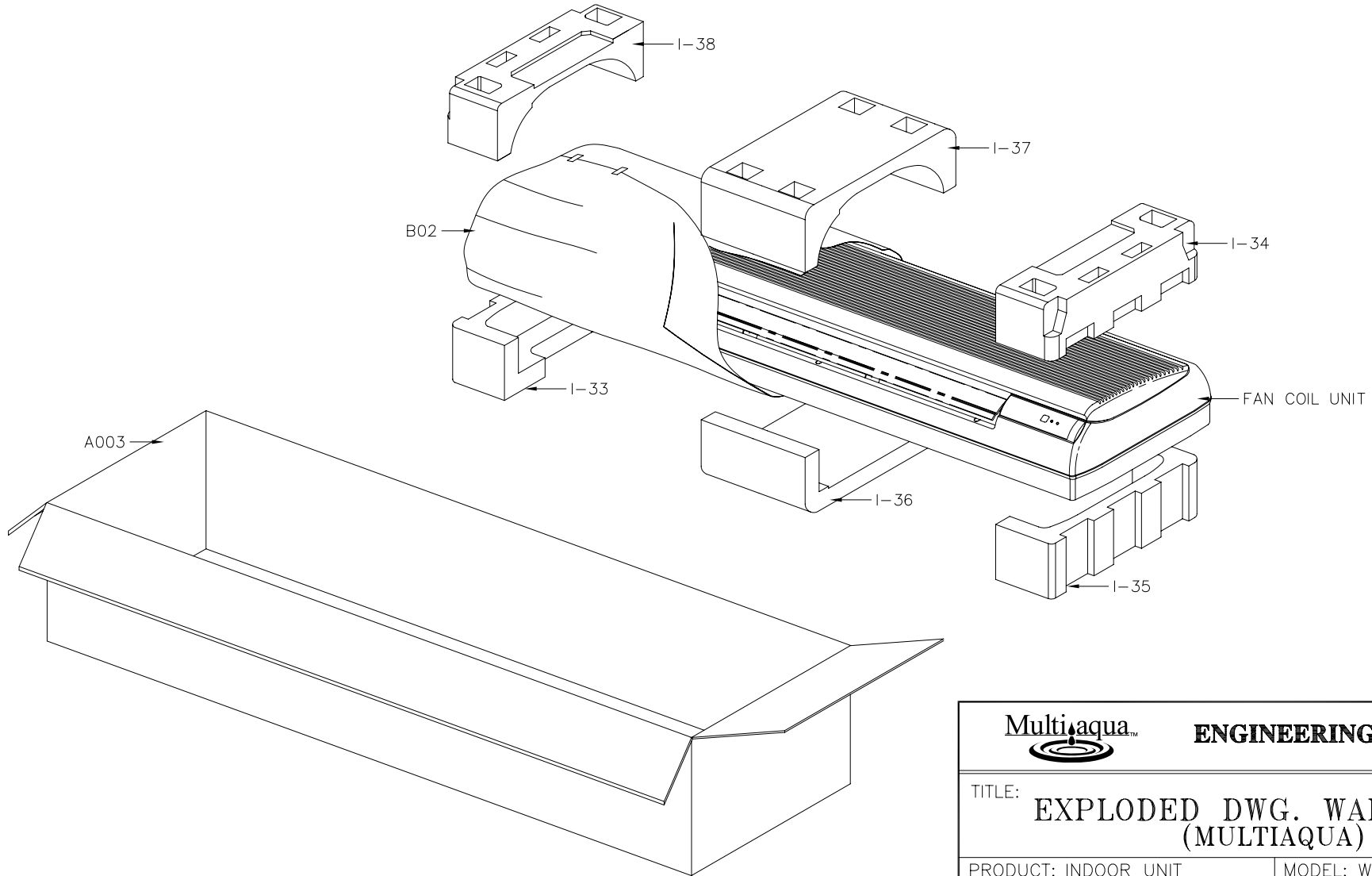


**Multiaqua** ENGINEERING DEPARTMENT

TITLE: EXPLODED DWG. WALL MOUNT (MULTIAQUA)			
PRODUCT: INDOOR UNIT		MODEL: WQW-18	
MATERIAL: N/A		QTY PER UNIT: N/A	SHEET 1 OF 2
TOLERANCES UNLESS OTHERWISE SPECIFIED		.X ±0.8	.XX ±0.30
		SCALE: NTS	
		HOLE SPACING AND LOCATION ±0.2 NON-CUMULATIVE	
DRWN: R.M.A.	DATE: 13APR01	FN: EXPWQW18H_MUL	
CHKD: F.S.R.	DATE: 13APR01	DWNG NO.: WQ01032B	
APPD: F.S.R.	DATE: 13APR01	PART NO.: N/A	

NO.	REVISION	DATE	REV BY	CHK BY	APPD BY
A	PARTS NO. WERE CHANGE AS PER BOM ISSUED ON 14JAN06	01JUL06	TH.ACH	R.M.A.	F.S.R.

THIS DRAWING SHALL NOT BE COPIED WITHOUT A PRIOR WRITTEN PERMISSION FROM THIS COMPANY.



**ENGINEERING DEPARTMENT**

TITLE: **EXPLODED DWG. WALL MOUNT  
(MULTIAQUA)**

PRODUCT: INDOOR UNIT      MODEL: WQW-18

MATERIAL: N/A      QTY PER UNIT: N/A      SHEET 2 OF 2

TOLERANCES UNLESS OTHERWISE SPECIFIED	.X ±0.8	.XX ±0.30	SCALE: NTS
	HOLE SPACING AND LOCATION ±0.2 NON-CUMULATIVE		

DRWN: R.M.A.	DATE: 13APR01	FN: EXPWQW18H_MUL
--------------	---------------	-------------------

CHKD: F.S.R.	DATE: 13APR01	DWNG NO.: WQ01032A
--------------	---------------	--------------------

APPD: F.S.R.	DATE: 13APR01	PART NO.: N/A
--------------	---------------	---------------

A	PARTS NO. WERE CHANGE AS PER BOM ISSUED ON 14JAN06	01JUL06	TH.ACH	R.M.A.	F.S.R.
NO.	REVISION	DATE	REV BY	CHK BY	APPD BY

**MHWW-18-H-1 PARTLIST**

SEQ.	PART NO.	DESCRIPTION	UM	QTY
NO.	AIRCON			
1	<b>A003</b>	CARTON BOX AMULWQ-18/24 LOGO MULTIAQUA	PC	1
2	<b>B02</b>	AIR BUBBLE 120 x 150 CM.	PC	1
3	<b>C01</b>	GRAY CLOTH WITH PVC	PC	1
4	<b>DW11</b>	WATER COIL : 900 x 254 mm x 2R x 3C x 3/8" Ø PLAIN TUBE x 20 FPI SLIT FINS x FLARE CONNECTOR x 5/8" x 5/8" FLEXIBLE COPPER TUBE Ø 5/8" (ID) x Ø 5/8" (OD)	SET	1
5	<b>E1</b>	TERMINAL BLOCK HP-T3009-3-B1 (6P)	PC	1
6	<b>E51</b>	WIRE HARNESS FOR IR RECEIVER	PC	1
7	<b>E55</b>	MOTOR YDK-35L-4 220/250V 50/60 Hz SPEED MED - LOW - SLOW	PC	1
8	<b>E59</b>	LAMPBOARD	PC	1
9	<b>E57</b>	STEP MOTOR MODEL ST-35	PC	1
10	<b>E65</b>	AUXILLARY SWITCH WITH WIRE HARNESS	PC	1
11	<b>E84</b>	STICKER ON/OFF	PC	1
12	<b>E95</b>	CAPACITOR 2.5 mfd 450VAC	PC	1
13	<b>E149</b>	INSULATION WIRE HARNESS	PC	1
14	<b>E151</b>	TRANSFORMER 24V (SALOM)	PC	1
15	<b>E156-1</b>	GROUND WIRE 13" 16AWG	SET	1
16	<b>E178</b>	CONTROLLER FUSE STICKER	PC	1
17	<b>E179</b>	POWER SUPPLY CORD (SJOW 18AWG/3)	PC	1
18	<b>E0004</b>	REMOTE HANDSET (EPSILON) H/C SCREEN LOGO MULTIAQUA	PC	1
19	<b>EW17</b>	MAIN PCB "MICONTECH" WATER HEAT/COOL	PC	1
20	<b>E-WIR-008</b>	ELECTRICAL WIRE - RED 15" 18AWG. W/QUICK CONNECTOR	PC	1
21	<b>E-WIR-009</b>	ELECTRICAL WIRE - WHITE 15" 18AWG. W/QUICK CONNECTOR	PC	1
22	<b>E-WIR-010</b>	ELECTRICAL WIRE - YELLOW 15" 18AWG. W/QUICK CONNECTOR	PC	1
23	<b>F18</b>	BRACKET MOTOR	PCS	2
24	<b>F93</b>	PIPING CLAMP # 1	PC	1
25	<b>F94</b>	PIPING CLAMP # 2	PCS	2
26	<b>F97</b>	MOUNTING BRACKET	PC	1
27	<b>F98</b>	FLAT WASHER Ø 7.0 mm x Ø 15 x 1.5 mm	PC	1
28	<b>F100</b>	WIRE GUARD	PC	1
29	<b>F157</b>	STAR WASHER	PCS	3
30	<b>F159</b>	HEX. NUT M4 x 0.07 (BRASS)	PCS	2
31	<b>F268</b>	METAL SLEEVE FOR HORIZONTAL LOUVER WQ-18/24/30	PC	1
32	<b>G02</b>	TIE WIRE 4"	PCS	3
33	<b>G03</b>	TIE WIRE 8"	PCS	2
34	<b>I-11</b>	INSUL. BASE PAN - BACK	PC	1

35	<b>I-12</b>	INSUL. FOAM BASE PAN BACK - L	PC	1
36	<b>I-13</b>	INSUL. FOAM BASE PAN BACK - R	PC	1
37	<b>I-14</b>	SEAL BLOCK	PCS	2
38	<b>I-15</b>	INSUL. BASE PAN RAIL	PC	1
39	<b>I-16</b>	INSUL. BASE PAN TOP	PC	1
40	<b>I-17</b>	INSUL. BACK SEAL # 1	PCS	2
41	<b>I-18</b>	INSUL. BACK SEAL # 2	PCS	2
42	<b>I-19</b>	INSUL. BLOWER LH	PCS	2
43	<b>I-20</b>	INSUL. BLOWER RH	PCS	2
44	<b>I-21</b>	INSUL. DRAIN PAN STRIP-BACK	PC	1
45	<b>I-22</b>	INSUL. FOAM INSERT-DRAIN PAN-R	PC	1
46	<b>I-23</b>	INSUL. DEFLECTOR	PC	1
47	<b>I-24</b>	INSUL. DRAIN SIDE	PC	1
48	<b>I-25</b>	INSUL. DRAIN PAN TOP	PC	1
49	<b>I-26</b>	INSUL. DRAIN PAN STRIP	PC	1
50	<b>I-27</b>	INSUL. DRAIN PAN AIR OUTLET	PCS	2
51	<b>I-30</b>	INSUL. FOAM DRAIN PAN LEFT	PC	1
52	<b>I-31</b>	INSUL. DRAIN PAN RIGHT	PC	1
53	<b>I-32</b>	INSUL. DRAIN HOSE	PC	1
54	<b>I-33</b>	PACKAGING FOAM BOTTOM LH	PC	1
55	<b>I-34</b>	PACKAGING FOAM TOP RH	PC	1
56	<b>I-35</b>	PACKAGING FOAM BOTTOM RH	PC	1
57	<b>I-36</b>	PACKAGING FOAM BOTTOM - MIDDLE	PC	1
58	<b>I-37</b>	PACKAGING FOAM TOP - MIDDLE	PC	1
59	<b>I-38</b>	PACKAGING FOAM TOP LH	PC	1
60	<b>I-40</b>	INSUL. FRAME FRONT-LEFT	PC	1
61	<b>I-41</b>	INSUL. FRAME SIDE - L	PC	1
62	<b>I-76</b>	INSUL. BASE PAN SUPPORT - BTM. R AND L	PCS	2
63	<b>I-78</b>	INSUL. BASE PAN SUPPORT - TOP L	PC	1
64	<b>I-78S</b>	INSUL. BASE PAN SUPPORT - TOP R	PC	1
65	<b>I-79</b>	INSUL. DRAN PAN FRONT	PC	1
66	<b>I-645</b>	INSULATION TUBE 22 mm ID x 6 mm THK x1150 mm L (AEROFLEX)	PCS	2
67	<b>P5</b>	NYLON PIVOT W/RUBBER	PC	1
68	<b>P17</b>	SENSOR HOLDER-WHITE	PC	1
69	<b>P20</b>	STRAP EVAP - WHITE	PC	1
70	<b>P70</b>	DRAIN HOSE	PC	1
71	<b>P71</b>	DRAIN HOSE CONNECTOR	PC	1
72	<b>P164</b>	BASE PAN WQ-18/24/30	PC	1
73	<b>P166</b>	EVAP SUPPORT - L	PC	1

74	<b>P167</b>	EVAP SUPPORT - R	PC	1
75	<b>P168</b>	DRAIN PAN	PC	1
76	<b>P172</b>	HORIZONTAL LOUVER	PC	1
77	<b>P173</b>	BUSHING	PCS	4
78	<b>P175</b>	LIGHT COVER	PC	1
79	<b>P177</b>	FRAME GRILL	PC	1
80	<b>P182</b>	LOCK	PCS	3
81	<b>P183-1</b>	AIR FILTER (GREEN)	PCS	2
82	<b>P185</b>	SCREW COVER	PCS	3
83	<b>P186</b>	PLASTIC SCREW RIVET F386	PCS	2
84	<b>P187</b>	LOUVER STICKER	PC	1
85	<b>P188</b>	DISPLAY MEMBRANE 18/24/30	PC	1
86	<b>P195</b>	BLOWER Ø 102 x 900 mm	PC	1
87	<b>P218</b>	LAMP SLEEVE (KNT TUBE C)	PC	2
88	<b>P249</b>	DECO PANEL SCREEN LOGO MULTIAQUA	PC	1
89	<b>P524</b>	"WATER IN" STICKER	PCS	2
90	<b>P525</b>	"WATER OUT" STICKER	PCS	2
91	<b>P527</b>	STICKER WARNING	PC	1
92	<b>P528</b>	WIRE CLAMP	PCS	2
93	<b>P536</b>	CONTROL BOX	PC	1
94	<b>P537</b>	CONTROL BOX COVER	PC	1
95	<b>PP0510PA</b>	DEFLECTOR ASY - LH WQ-SERIES 18-30	SET	2
96	<b>PP0511PA</b>	DEFLECTOR ASY - RH WQ-SERIES 18-30	SET	2
97	<b>PP0622PA</b>	HINGE LH ASSY WQ - SERIES	SET	1
98	<b>PP0623PA</b>	HINGE RH ASSY WQ - SERIES	SET	1
99	<b>R1</b>	RUBBER MOTOR	PCS	2
100	<b>R16</b>	RUBBER CAP	PC	1
101	<b>S01</b>	SCREW 4 x 10 mm.	PCS	8
102	<b>S08</b>	SCREW 4 x 19 mm. (6 x 3/4") POINTED, NICKEL	PCS	2
103	<b>S11</b>	SCREW 8 x 3/4" (POINTED)	PCS	4
104	<b>S16</b>	SCREW 4 x 12 mm.	PCS	23
105	<b>S16B</b>	SCREW 4 x 12 mm. (BLACK)	PCS	4
106	<b>S34</b>	SCREW 4 x 12 mm. (8x1/2") (POINTED)	PCS	4
107	<b>S63</b>	SCREW 4 x 12 mm. (BRASS)	PC	1
108	<b>E156-1</b>	GROUND WIRE 13" 16AWG	SET	1
109	<b>SS0002MS</b>	SCREW FOR BRACKET UNIT MOUNT WQ-18/24/30	SET	1