

WALL MOUNT - INDOOR UNIT

**MODEL OF AIRCONDITIONER**

**MHWW-36-H-1**

**PARTS LIST**



MULTIAQUA, INC.

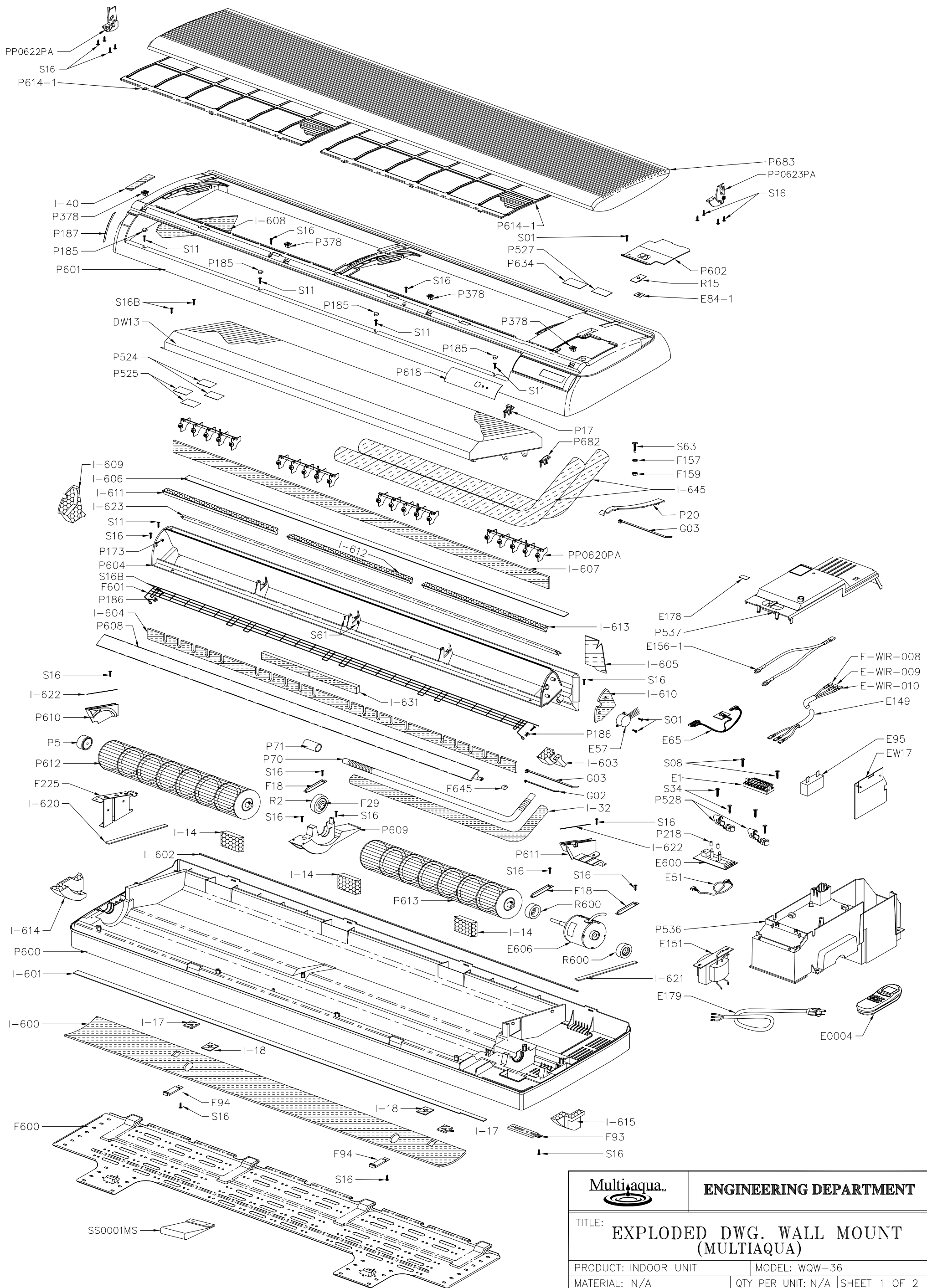
2701 S.W. 145 AVENUE, SUITE #220

MIRAMAR, FLORIDA 33027 U.S.A.

Tel: (954) 431-1300 • Fax: (954) 431-1303 • email: [support@multiaqua.com](mailto:support@multiaqua.com)

[www.multiaqua.com](http://www.multiaqua.com)

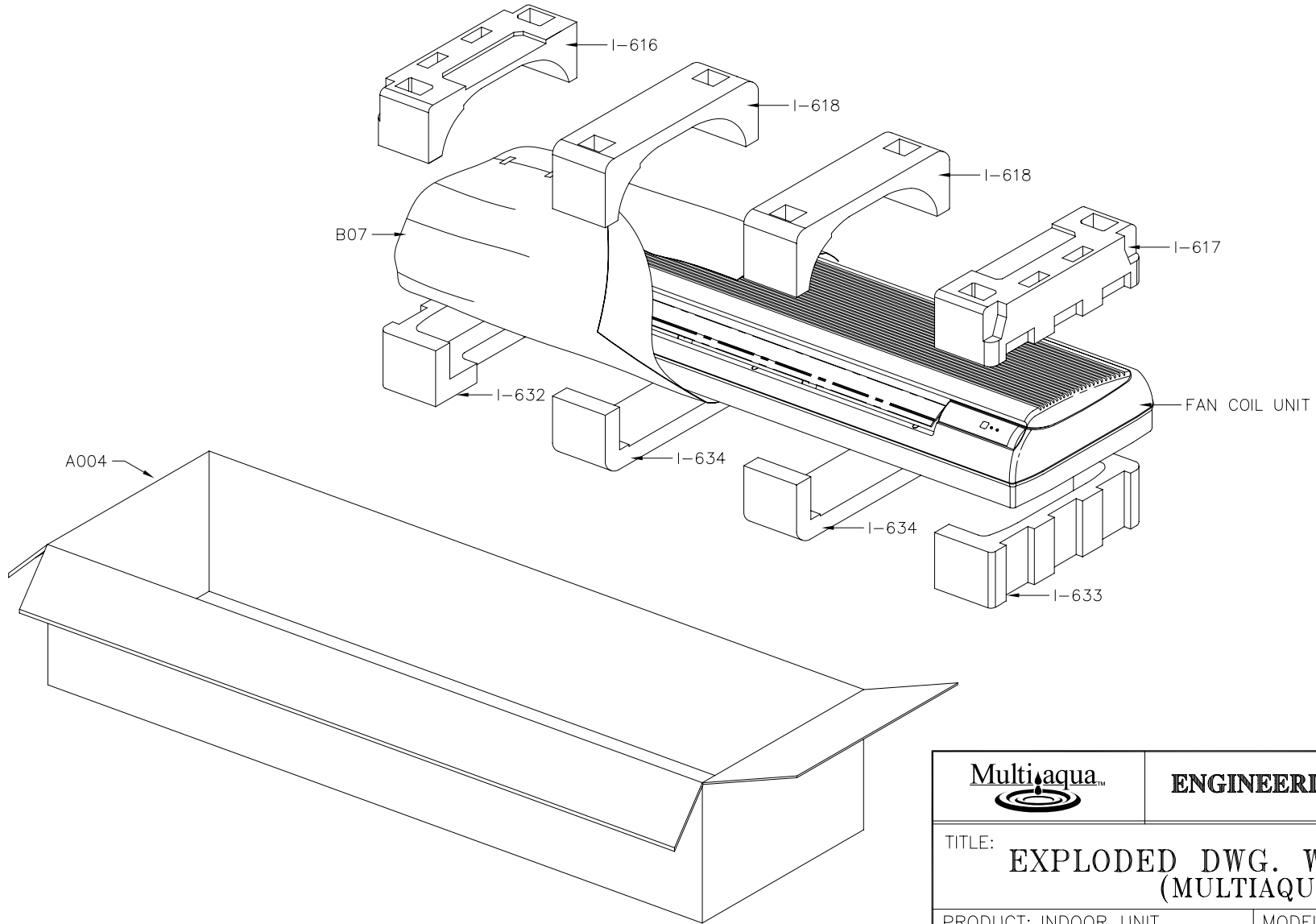
THIS DRAWING SHALL NOT BE COPIED WITHOUT A PRIOR WRITTEN PERMISSION FROM THIS COMPANY.



<b>Multiaqua</b>		<b>ENGINEERING DEPARTMENT</b>		
TITLE: <b>EXPLODED DWG. WALL MOUNT (MULTIAQUA)</b>				
PRODUCT: INDOOR UNIT		MODEL: WQW-36		
MATERIAL: N/A		QTY PER UNIT: N/A	SHEET 1 OF 2	
TOLERANCES UNLESS OTHERWISE SPECIFIED		.X ±0.8	.XX ±0.30	SCALE: NTS
		HOLE SPACING AND LOCATION ±0.2 NON-CUMULATIVE		
DRWN: R.M.A.	DATE: 17DEC03	FN: EXPWQW36H_MUL		
CHKD: W.J.	DATE: 19DEC03	DWNG NO.: WQ03101B		
APPD: F.S.R.	DATE: 19DEC03	PART NO.: N/A		

A	PARTS NO. WERE CHANGE AS PER BOM ISSUED ON 14JAN06	01JUL06	TH.ACH	R.M.A.	F.S.R.
NO.	REVISION	DATE	REV BY	CHK BY	APPD BY

THIS DRAWING SHALL NOT BE COPIED WITHOUT A PRIOR WRITTEN PERMISSION FROM THIS COMPANY.



**ENGINEERING DEPARTMENT**

TITLE: **EXPLODED DWG. WALL MOUNT  
(MULTIAQUA)**

PRODUCT: INDOOR UNIT      MODEL: WQW-36

MATERIAL: N/A      QTY PER UNIT: N/A      SHEET 2 OF 2

TOLERANCES UNLESS OTHERWISE SPECIFIED	.X ±0.8	.XX ±0.30	SCALE: NTS
	HOLE SPACING AND LOCATION ±0.2 NON-CUMULATIVE		

DRWN: R.M.A.	DATE: 17DEC03	FN: EXPWQW36H_MUL
--------------	---------------	-------------------

CHKD: W.J.	DATE: 19DEC03	DWNG NO.: WQ03101A
------------	---------------	--------------------

APPD: F.S.R.	DATE: 19DEC03	PART NO.: N/A
--------------	---------------	---------------

A	PARTS NO. WERE CHANGE AS PER BOM ISSUED ON 14JAN06	01JUL06	TH.ACH	R.M.A.	F.S.R.
NO.	REVISION	DATE	REV BY	CHK BY	APPD BY

**MHWW-36-H-1 PARTLIST**

SEQ.	PART NO.	DESCRIPTION	UM	QTY
NO.	AIRCON			
1	<b>A004</b>	CARTON BOX SCREEN LOGO MULTIAQUA WQ-36	PC	1
2	<b>B07</b>	AIR BUBBLE 120x180 CM.	PC	1
3	<b>DW13</b>	WATER COIL: 1180 x 279 mm x 3R x 5C x 3/8" Ø PLAIN TUBE x 18 FPI x COATED PLAIN FINS x FLARE CONNECTOR x Ø 3/4" x 3/4" FLEXIBLE TUBE Ø 7/8" (ID) INLET x Ø 3/4" (ID) OUTLET 650 MM. L	SET	1
4	<b>E1</b>	TERMINAL BLOCK HP-T3009 (6P)	PC	1
5	<b>E51</b>	WIRE HARNESS FOR IR RECEIVER	PC	1
6	<b>E57</b>	STEP MOTOR MODEL ST-35	PC	1
7	<b>E65</b>	AUXILLARY SWITCH WITH WIRE HARNESS	PC	1
8	<b>E84-1</b>	STICKER ON/OFF	PC	1
9	<b>E95</b>	CAPACITOR 2.5 mfd 450VAC	PC	1
10	<b>E149</b>	INSULATION WIRE HARNESS	PC	1
11	<b>E151</b>	TRANSFORMER 24V (SALOM)	PC	1
12	<b>E178</b>	CONTROLLER FUSE STICKER	PC	1
13	<b>E179</b>	POWER SUPPLY CORD	PC	1
14	<b>E600</b>	LAMPBOARD	PC	1
15	<b>E606</b>	MOTOR LC-14558 220V 60W 60 Hz SPEED HIGH-MED-LOW	PC	1
16	<b>E0004</b>	REMOTE HANDSET (EPSILON) H/C SCREEN LOGO MULTIAQUA	PC	1
17	<b>EW17</b>	MAIN PCB "MICONTECH" WATER HEAT/COOL SINGLE LAYER	PC	1
18	<b>E156-1</b>	GROUND WIRE 13" 16AWG	SET	1
19	<b>E-WIR-008</b>	ELECTRICAL WIRE - RED 15" 18AWG. W/QUICK CONNECTOR	PC	1
20	<b>E-WIR-009</b>	ELECTRICAL WIRE - WHITE 15" 18AWG. W/QUICK CONNECTOR	PC	1
21	<b>E-WIR-010</b>	ELECTRICAL WIRE - YELLOW 15" 18AWG. W/QUICK CONNECTOR	PC	1
22	<b>F18</b>	BRACKET MOTOR	PCS	3
23	<b>F29</b>	CENTER BEARING W/RUBBER	PC	1
24	<b>F93</b>	PIPING CLAMP # 1	PC	1
25	<b>F94</b>	PIPING CLAMP # 2	PCS	2
26	<b>F225</b>	END PLATE SUPPORT - L	PC	1
27	<b>F600</b>	MOUNTING BRACKET	PC	1
28	<b>F601</b>	WIRE GUARD	PC	1
29	<b>F645</b>	METAL SLEEVE FOR HORIZONTAL LOUVER WQ-36	PC	1
30	<b>F157</b>	STAR WASHER	PCS	3
31	<b>F159</b>	HEX. NUT M4 x 0.07 (BRASS)	PCS	2
32	<b>G02</b>	TIE WIRE 4"	PCS	2
33	<b>G03</b>	TIE WIRE 8"	PCS	2

34	<b>I-14</b>	SEAL BLOCK	PCS	3
35	<b>I-17</b>	INSUL. BACK SEAL # 1	PCS	2
36	<b>I-18</b>	INSUL. BACK SEAL # 2	PCS	2
37	<b>I-32</b>	INSUL. DRAIN HOSE	PC	1
38	<b>I-40</b>	INSUL. FRAME FRONT	PC	1
39	<b>I-600</b>	INSUL. BASE PAN - BACK	PC	1
40	<b>I-601</b>	INSUL. BASE PAN RAIL	PC	1
41	<b>I-602</b>	INSUL. BASE PAN TOP	PC	1
42	<b>I-603</b>	INSUL. FOAM DRAIN PAN - WATER OUTLET	PC	1
43	<b>I-604</b>	INSUL. DEFLECTOR	PC	1
44	<b>I-605</b>	INSUL. DRAIN SIDE - R	PC	1
45	<b>I-606</b>	INSUL. DRAIN PAN STRIP	PC	1
46	<b>I-607</b>	INSUL. DRAIN PAN TOP	PC	1
47	<b>I-608</b>	INSUL. FRAME SIDE - L	PC	1
48	<b>I-609</b>	INSUL. FOAM - DRAIN PAN L	PC	1
49	<b>I-610</b>	INSUL. DRAIN PAN R	PC	1
50	<b>I-611</b>	INSUL. FOAM FRONT - 1	PC	1
51	<b>I-612</b>	INSUL. FOAM FRONT - 2	PC	1
52	<b>I-613</b>	INSUL. FOAM FRONT - 3	PC	1
53	<b>I-614</b>	INSUL. FOAM BASE PAN BACK - L	PC	1
54	<b>I-615</b>	INSUL. FOAM BASE PAN BACK - R	PC	1
55	<b>I-616</b>	PACKING FOAM TOP - L	PC	1
56	<b>I-617</b>	PACKING FOAM TOP - R	PC	1
57	<b>I-618</b>	PACKING FOAM TOP - M	PCS	2
58	<b>I-620</b>	INSUL. BASE PAN SUPPORT - TOP L	PC	1
59	<b>I-621</b>	INSUL. BASE PAN SUPPORT - TOP R	PC	1
60	<b>I-622</b>	INSUL. BASE PAN SUPPORT - BTM. R AND L	PCS	2
61	<b>I-623</b>	GRAY CLOTH WITH PVC	PC	1
62	<b>I-631</b>	MUFFLER INSUL	PC	1
63	<b>I-632</b>	PACKING FOAM BOTTOM - L	PC	1
64	<b>I-633</b>	PACKING FOAM BOTTOM - R	PC	1
65	<b>I-634</b>	PACKING FOAM BTM. - M	PCS	2
66	<b>I-645</b>	INSULATION TUBE 25 mm ID x 6 mm THK x 1420 mm L (AEROFLEX)	PCS	2
67	<b>P5</b>	NYLON PIVOT W/RUBBER	PC	1
68	<b>P17</b>	SENSOR HOLDER - WHITE	PC	1
69	<b>P20</b>	STRAP EVAP - WHITE	PC	1
70	<b>P70</b>	DRAIN HOSE	PC	1
71	<b>P71</b>	DRAIN HOSE CONNECTOR	PC	1

72	<b>P173</b>	PLASTIC BUSHING	PCS	4
73	<b>P185</b>	SCREW COVER	PCS	4
74	<b>P186</b>	PLASTIC SCREW RIVET	PCS	2
75	<b>P187</b>	LOUVER STICKER	PC	1
76	<b>P218</b>	LAMP SLEEVE (KNT TUBE C)	PCS	2
77	<b>P378</b>	LOCK, PIN HOLDER (same as WN-24)	PCS	4
78	<b>P524</b>	"WATER IN" STICKER	PCS	2
79	<b>P525</b>	"WATER OUT" STICKER	PCS	2
80	<b>P527</b>	WARNING LABEL	PC	1
81	<b>P528</b>	WIRE CLAMP	PCS	2
82	<b>P536</b>	CONTROL BOX	PC	1
83	<b>P537</b>	CONTROL BOX COVER	PC	1
84	<b>P600</b>	BASE PAN	PC	1
85	<b>P601</b>	FRAME GRILL	PC	1
86	<b>P602</b>	TERMINAL COVER	PC	1
87	<b>P683</b>	DECO PANEL SCREEN LOGO MULTIAQUA	PC	1
88	<b>P604</b>	DRAIN PAN	PC	1
89	<b>P608</b>	HORIZONTAL LOUVER	PC	1
90	<b>P609</b>	BEARING HOLDER	PC	1
91	<b>P610</b>	EVAP SUPPORT - L	PC	1
92	<b>P611</b>	EVAP SUPPORT - R	PC	1
93	<b>P612</b>	BLOWER 107.9 mm. W Ø X 572.0 mm. - L SHAFT 25 mm.	PC	1
94	<b>P613</b>	BLOWER 107.9 mm. W Ø X 572.0 mm. - R SHAFT 50 mm.	PC	1
95	<b>P614-1</b>	AIR FILTER (GREEN)	PCS	2
96	<b>P618</b>	LAMP BOARD STICKER (Membrane)	PC	1
97	<b>P634</b>	FREQUENCY STICKER	PC	1
98	<b>P682</b>	PLASTIC SPECER	PC	1
99	<b>PP0620PA</b>	DEFLECTOR ASSY WQ/WJ-36	SET	4
100	<b>PP0622PA</b>	HINGE ASY LH WQ-SERIES	SET	1
101	<b>PP0623PA</b>	HINGE ASY RH WQ-SERIES	SET	1
102	<b>R2</b>	RUBBER CENTER BEARING	PC	1
103	<b>R15</b>	RUBBER CAP	PC	1
104	<b>R600</b>	RUBBER MOTOR	PCS	2
105	<b>S01</b>	SCREW 4 X 10 mm. (SMALL HEAD)	PCS	9
106	<b>S08</b>	SCREW 6 X 19 mm. (POINTED)	PCS	2
107	<b>S11</b>	SCREW 4 X 16 mm.	PCS	5
108	<b>S16</b>	SCREW 4 X 12 mm.	PCS	28
109	<b>S16B</b>	SCREW 4 X 12 mm. (BLACK)	PCS	6

110	<b>S34</b>	SCREW 4 X 12 mm. (8x1/2") (POINTED)	PCS	4
111	<b>S61</b>	SCREW 4 X 12 mm. (SMALL HEAD)	PCS	2
112	<b>S63</b>	SCREW 4 x 12 mm. (BRASS)	PC	1
113	<b>SS0001MS</b>	SCREW FOR BRCKET UNIT MOUNT WQ-36/42	SET	1