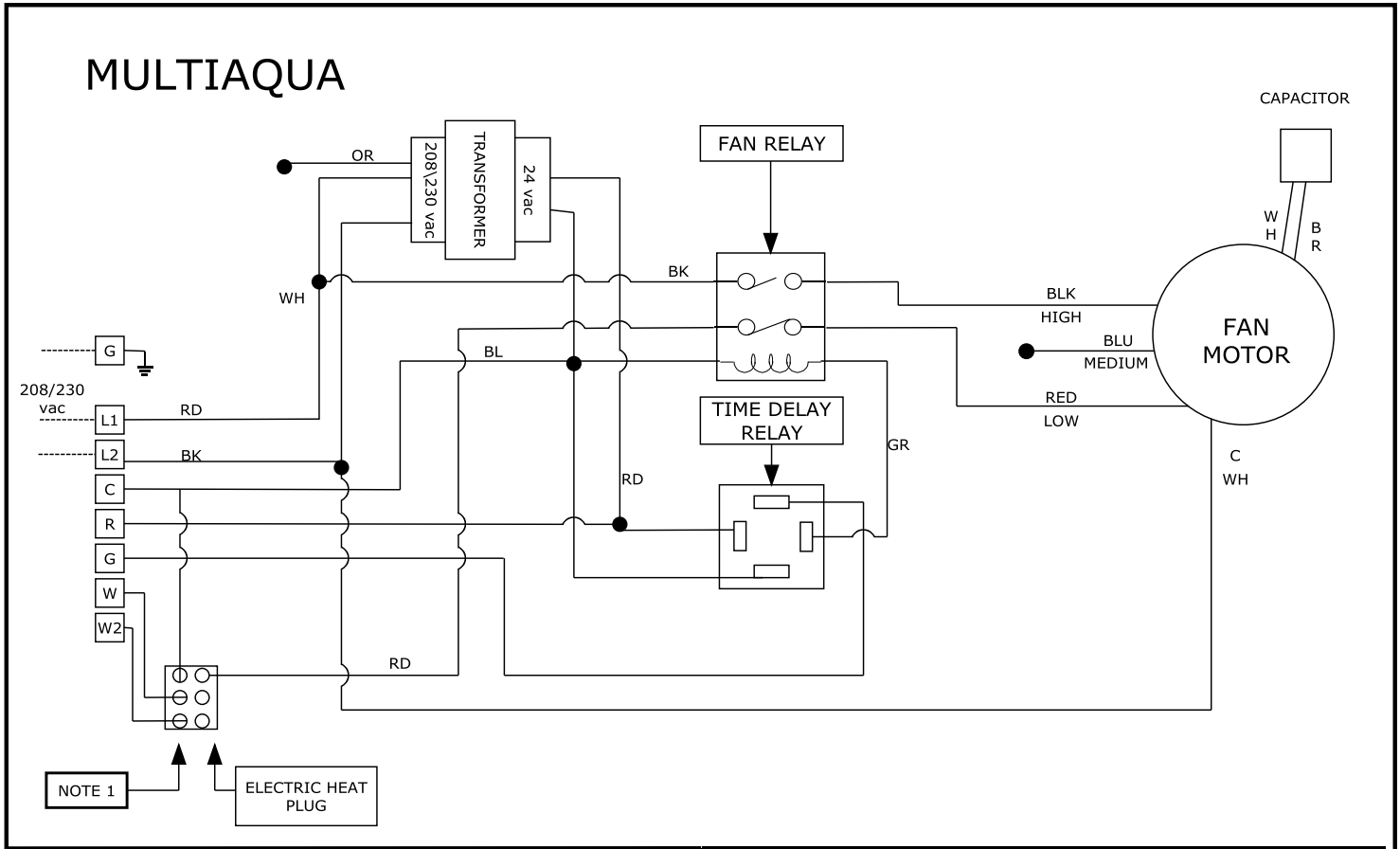


# 18CWA2-00 Wiring Diagram

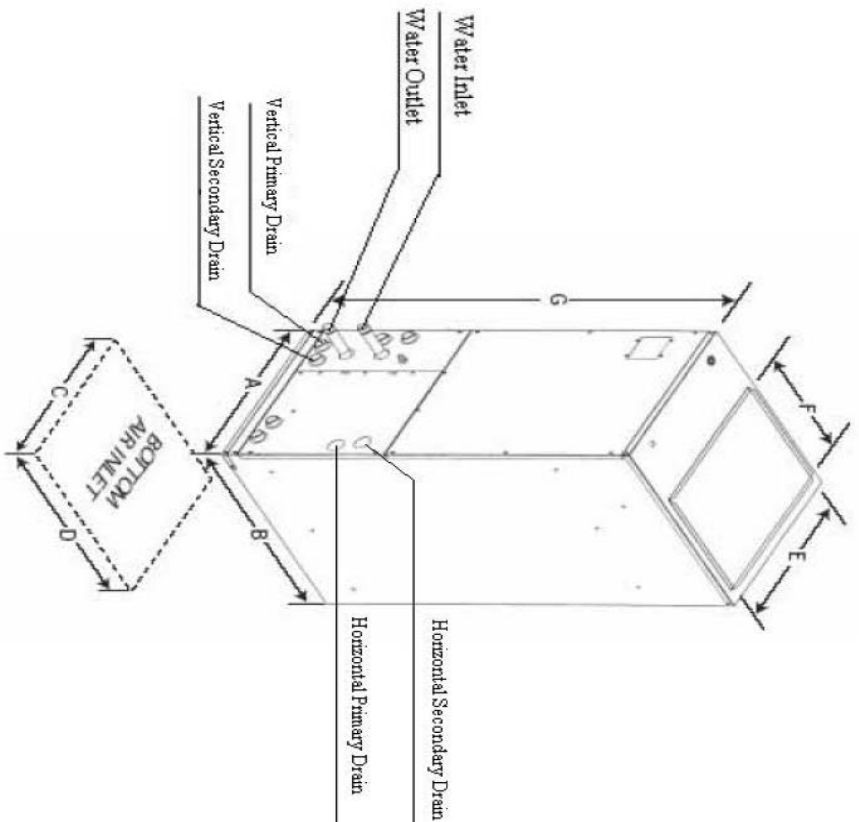
208/230/-1-60



TITLE		<b>CWA2-00 WIRING DIAGRAM</b>		LEGEND:  _____ FACTORY WIRING - - - - - FIELD WIRING	NOTES:  1. NOT USED WITHOUT ELECTRIC HEAT
AUTHOR		kjg			
DATE		06-07-07	SHEET 1 OF 1		
REVISION		0607300020			

# 18CWA2-00 Dimensional Drawing

CWA2 Certified Drawing  
 Drawing # 0907400078



Model No.	A	B	C	D	E	F	G
18 & 24CWA2-XX	17½	21	15	17½	16	12¾	39¼
36CWA2-XX	17½	21	15	17½	16	12¾	39¼
48 & 60CWA2-XX	21½	25	19¼	22¼	19¾	17¼	49¼

Note: "-XX" indicates electric heat (KW) size.