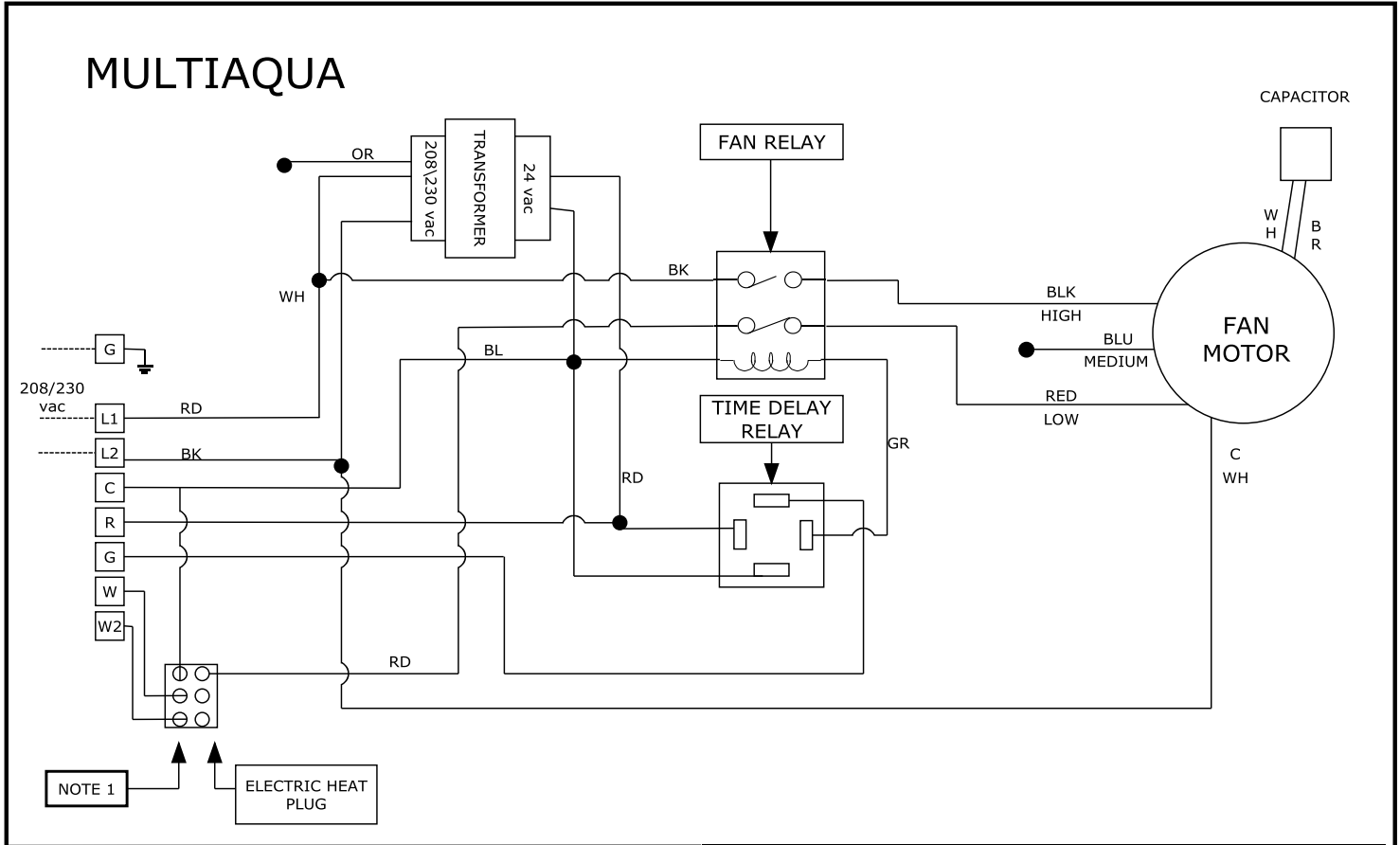


# 24CWA2-00 Wiring Diagram

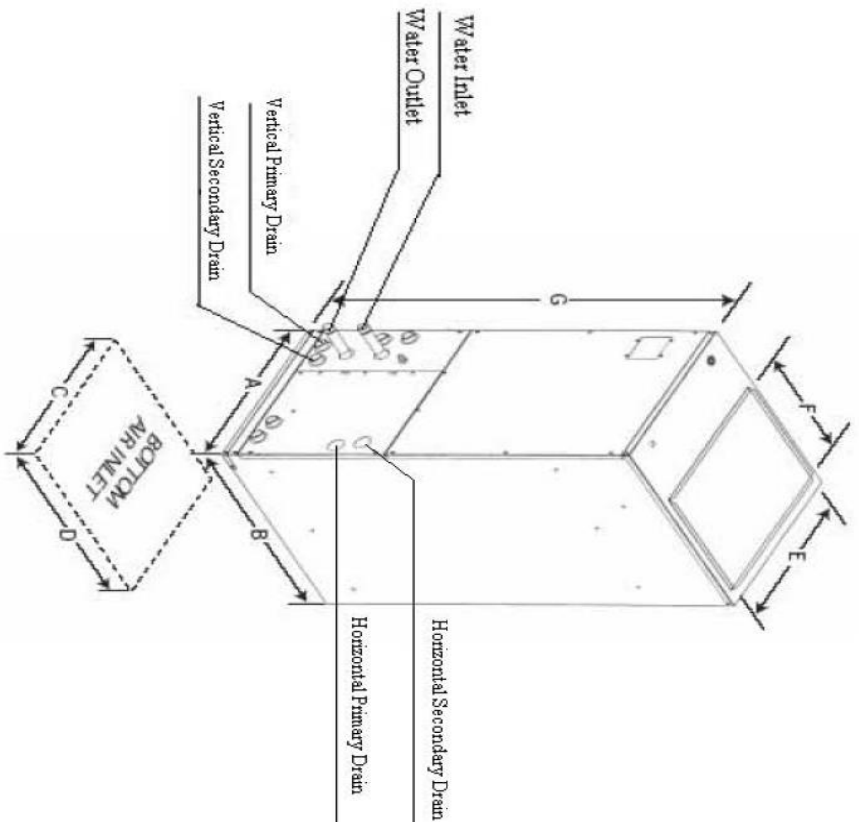
208/230/-1-60



TITLE <b>CWA2-00 WIRING DIAGRAM</b>		LEGEND:		NOTES:	
AUTHOR	kjg	————— FACTORY WIRING		1. NOT USED WITHOUT ELECTRIC HEAT	
DATE	06-07-07	- - - - - FIELD WIRING			
REVISION	0607300020	SHEET 1 OF 1			

# 24CWA2-00 Certified Drawing

CWA2 Certified Drawing  
 Drawing # 0907400078



Model No.	A	B	C	D	E	F	G
18 & 24CWA2-XX	17½	21	15	17½	16	12¾	39¼
36CWA2-XX	17½	21	15	17½	16	12¾	39¼
48 & 60CWA2-XX	21½	25	19¼	22¼	19¾	17¼	49¼

Note: "-XX" indicates electric heat (KW) size.