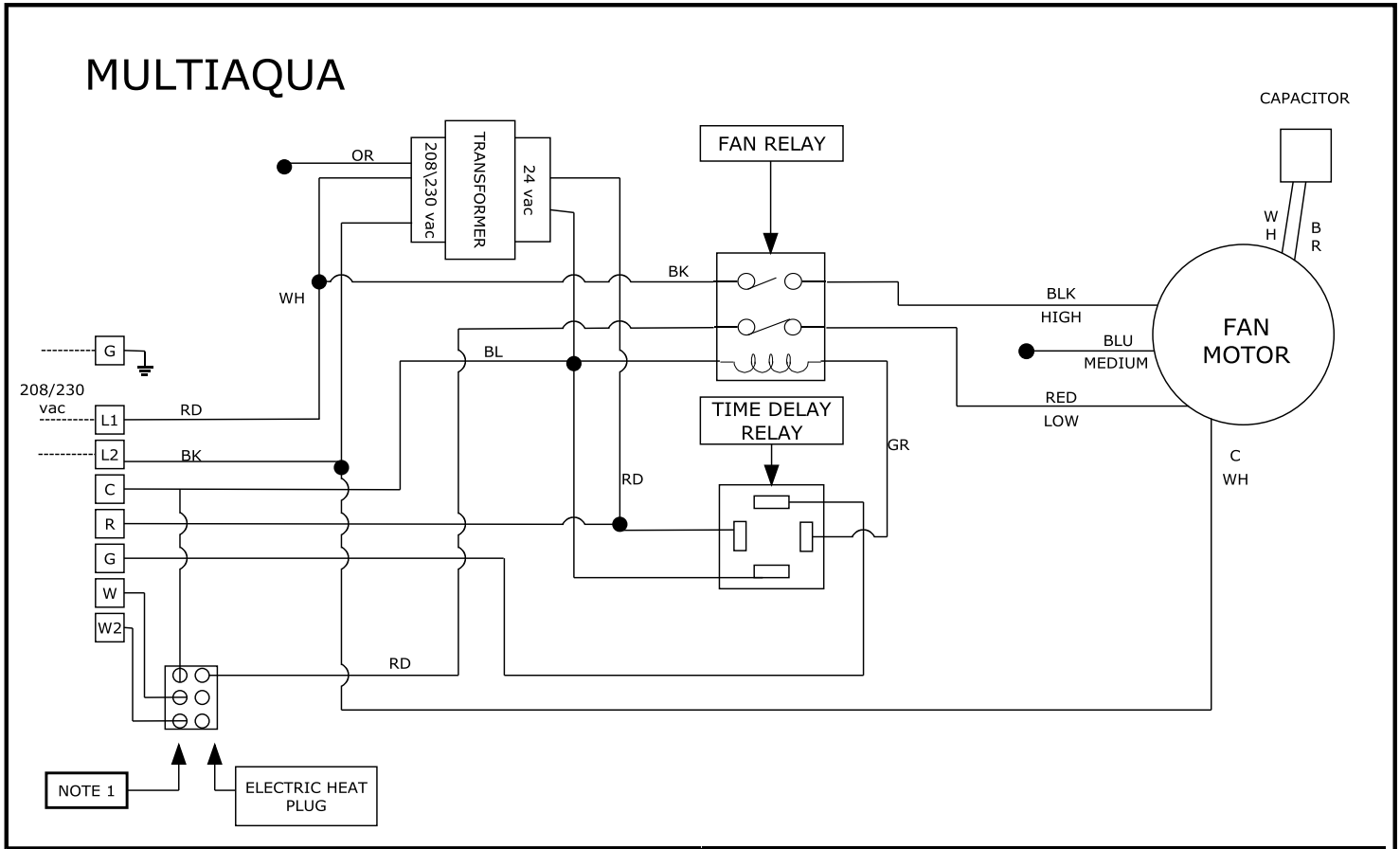


36CWA2-00 Wiring Diagram

208/230/-1-60

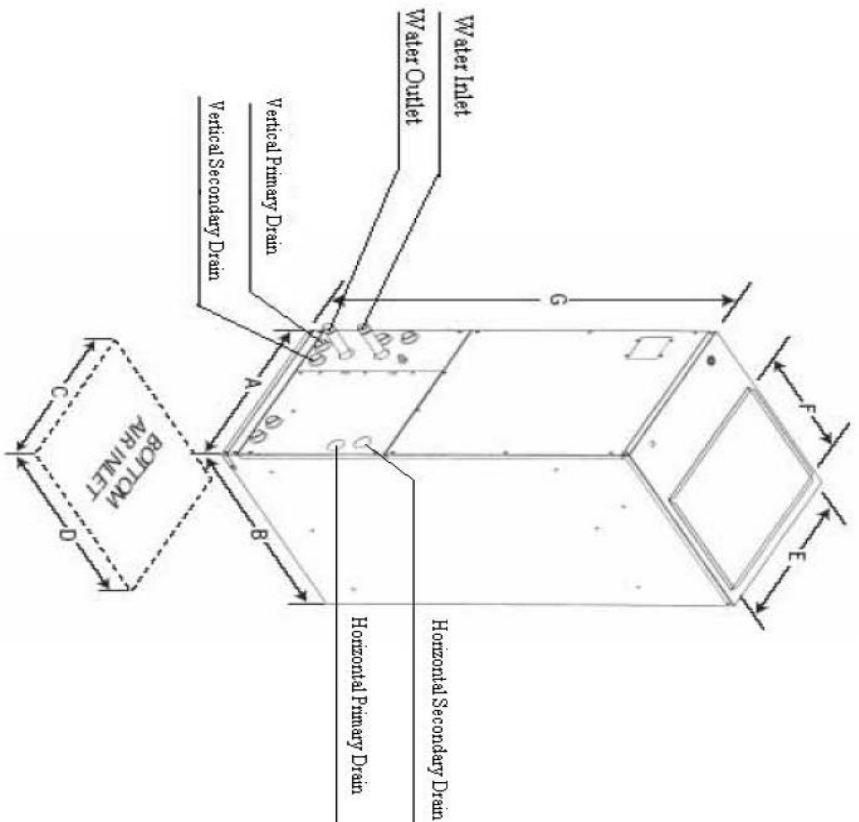


TITLE	CWA2-00 WIRING DIAGRAM		
AUTHOR	kjg		
DATE	06-07-07	SHEET	1 OF 1
REVISION	0607300020		

LEGEND:	NOTES:
<p>————— FACTORY WIRING</p> <p>----- FIELD WIRING</p>	<p>1. NOT USED WITHOUT ELECTRIC HEAT</p>

36CWA2-00 Dimensional Drawing

CWA2 Certified Drawing
 Drawing # 0907400078



Model No.	A	B	C	D	E	F	G
18 & 24CWA2-XX	17½	21	15	17½	16	12¾	39¼
36CWA2-XX	17½	21	15	17½	16	12¾	39¼
48 & 60CWA2-XX	21½	25	19¼	22¼	19¾	17¼	49¼

Note: "-XX" indicates electric heat (KW) size.