

MODEL OF AIRCONDITIONER

FSFCA

PARTS LIST



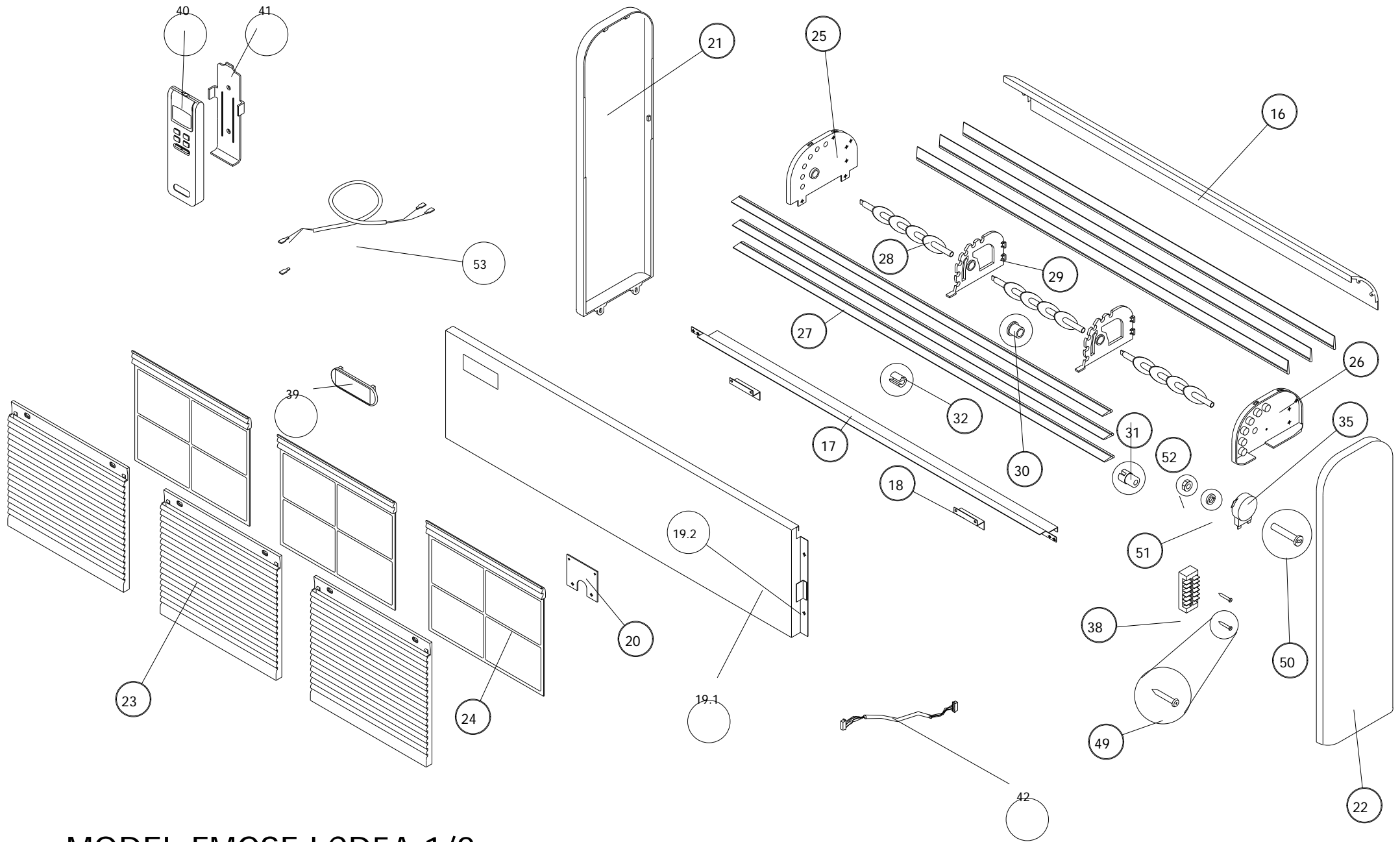
MULTIAQUA, INC.

2701 S.W. 145 AVENUE, SUITE #220

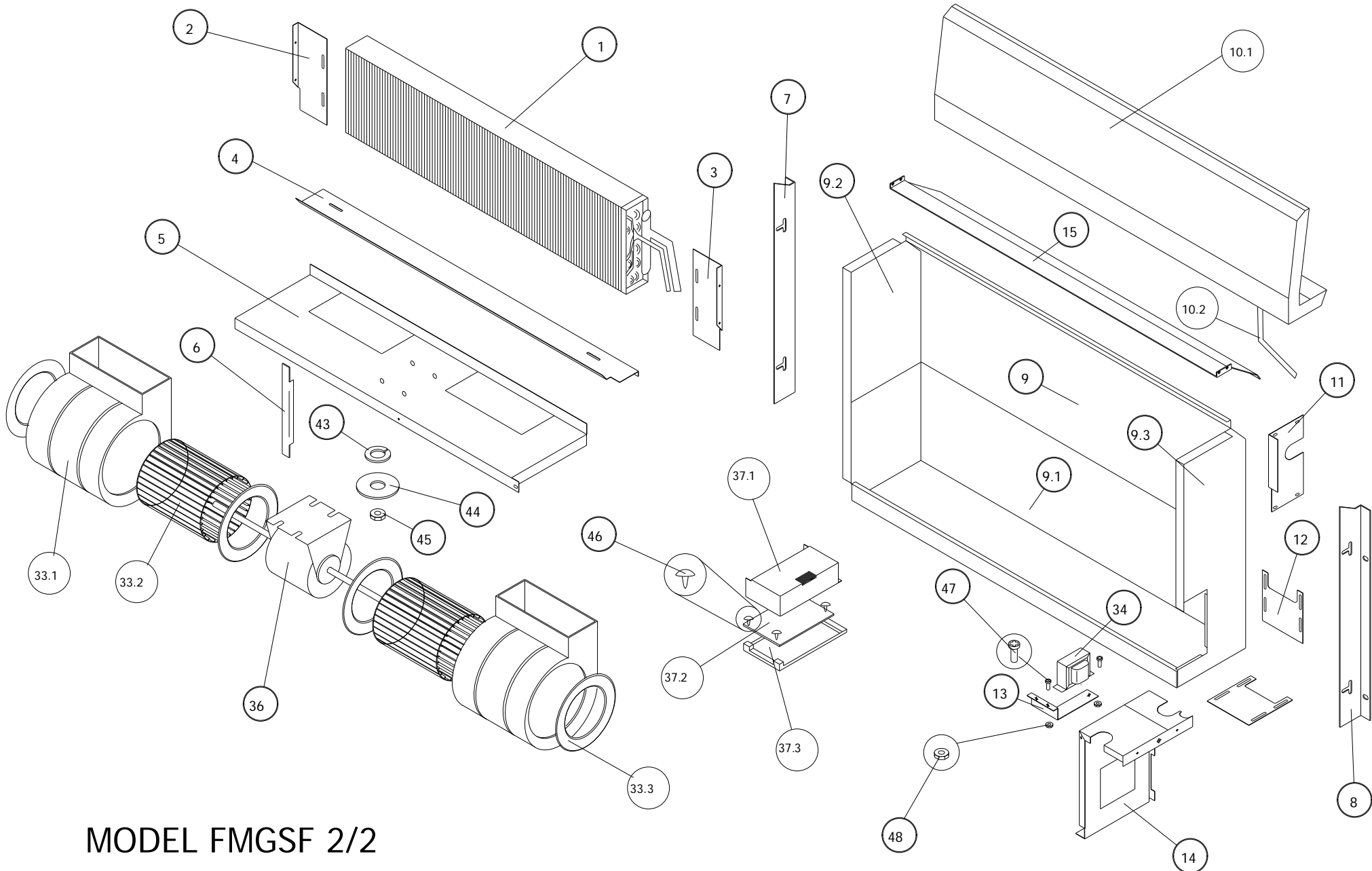
MIRAMAR, FLORIDA 33027 U.S.A.

Tel: (954) 431-1300 • Fax: (954) 431-1303 • email: support@multiaqua.com

www.multiaqua.com



MODEL FMGSF LCD5A 1/2



MODEL FMGSF 2/2

PART LIST FOR MODEL FMGSF (SPEC 1) REV. 00

1 / 2

INDEX NO.	PART NUMBER	PARTS NAME	TYPE (MAKER)	QUANTITY								
				04	06	08	10	12	16	20		
1		COIL ASSY										
1.1		FOR COOL SYSTEM										
	SF0600001	COIL FOR FMGSF 04		1								
	SF0600002	COIL FOR FMGSF 06			1							
	SF0600003	COIL FOR FMGSF 08				1						
	SF0600004	COIL FOR FMGSF 10					1					
	SF0600005	COIL FOR FMGSF 12						1				
	SF0600006	COIL FOR FMGSF 16							1			
	SF0600007	COIL FOR FMGSF 20								1		
1.2		FOR HEAT SYSTEM										
	SF0600008	COIL FOR FMGSFH 04		1								
	SF0600009	COIL FOR FMGSFH 06			1							
	SF0600010	COIL FOR FMGSFH 08				1						
	SF0600011	COIL FOR FMGSFH 10					1					
	SF0600012	COIL FOR FMGSFH 12						1				
	SF0600013	COIL FOR FMGSFH 16							1			
	SF0600014	COIL FOR FMGSFH 20								1		
2		SUPPORT SIDE COIL (LH) / INSULATION	GI / PE									
	SF0300004	FOR FMGSF 04 / 06 / 08		1	1	1						
	SF0300005	FOR FMGSF 10 / 12					1	1				
	SF0300006	FOR FMGSF 16 / 20							1	1		
3		SUPPORT SIDE COIL (RH) / INSULATION	GI / PE									
	SF0300007	FOR FMGSF 04 / 06 / 08		1	1	1						
	SF0300008	FOR FMGSF 10 / 12					1	1				
	SF0300009	FOR FMGSF 16 / 20							1	1		
4		COVER BOTTOM COIL	EG									
	SF0300001	FOR FMGSF 04 / 06 / 08		1	1	1						
	SF0300002	FOR FMGSF 10 / 12					1	1				
	SF0300003	FOR FMGSF 16 / 20							1	1		
5		VENTURY	EG									
	SF0300010	FOR FMGSF 04 / 06		1	1							
	SF0300011	FOR FMGSF 08				1						
	SF0300012	FOR FMGSF 10					1					
	SF0300013	FOR FMGSF 12						1				
	SF0300014	FOR FMGSF 16 / 20							1	1		
6		SUPPORT MIDDLE VENTURY	EG	1	1	1	1	2	2	2	2	
7	SF0300025	HANGER PLATE (LH)	EG	1	1	1	1	1	1	1	1	
8	SF0300026	HANGER PLATE (RH)	EG	1	1	1	1	1	1	1	1	
9		CABINET ASSY FOR FMGSF 04 / 06 / 08		1	1	1						
9.1	SF0300018	BACK PANEL / INSULATION	EG / PE	1	1	1						
9.2	SF0300021	SIDE PANEL (LH) / INSULATION	EG / PE	1	1	1						
9.3	SF0300022	SIDE PANEL (RH) / INSULATION	EG / PE	1	1	1						
9		CABINET ASSY FOR FMGSF 10 / 12					1	1				
9.1	SF0300019	BACK PANEL / INSULATION	EG / PE				1	1				
9.2	SF0300021	SIDE PANEL (LH) / INSULATION	EG / PE				1	1				
9.3	SF0300022	SIDE PANEL (RH) / INSULATION	EG / PE				1	1				
9		CABINET ASSY FOR FMGSF 16 / 20							1	1		
9.1	SF0300020	BACK PANEL / INSULATION	EG / PE						1	1		
9.2	SF0300021	SIDE PANEL (LH) / INSULATION	EG / PE						1	1		
9.3	SF0300022	SIDE PANEL (RH) / INSULATION	EG / PE						1	1		
10		DRAIN PAN ASSY FOR FMGSF 04 / 06 / 08		1	1	1						
10.1	SF0300027-1	DRAIN PAN WITH DRAINPIPE / INSULATION	EG / PE	1	1	1						
10.2	SF0100020	DRAIN TUBE		1	1	1						
10		DRAIN PAN ASSY FOR FMGSF 10 / 12					1	1				
10.1	SF0300028-1	DRAIN PAN WITH DRAINPIPE / INSULATION	EG / PE				1	1				
10.2	SF0100020	DRAIN TUBE					1	1				
10		DRAIN PAN ASSY FOR FMGSF 16 / 20								1	1	
10.1	SF0300029-1	DRAIN PAN WITH DRAINPIPE / INSULATION	EG / PE							1	1	
10.2	SF0100020	DRAIN TUBE								1	1	
11		SIDE COVER PLATE	EG	1	1	1	1	1	1	1	1	
12		ACCESS DOOR	EG	2	2	2	2	2	2	2	2	
13		SUPPORT TRANSFORMER	GI	1	1	1	1	1	1	1	1	
14		SUPPORT VENTURY / INSULATION	EG / PE	1	1	1	1			1	1	
15		SUPPORT FRAME TOP / INSULATION	EG / PE									
	SF0300033	FOR FMGSF 04 / 06 / 08		1	1	1						
	SF0300034	FOR FMGSF 10 / 12					1	1				
	SF0300035	FOR FMGSF 16 / 20								1	1	
16		TOP REAR PANEL / INSULATION	EG / PE									
	SF0300041	FOR FMGSF 04 / 06 / 08		1	1	1						
	SF0300042	FOR FMGSF 10 / 12					1	1				
	SF0300043	FOR FMGSF 16 / 20								1	1	
17		SUPPORT FRAME FRONT / INSULATION	EG / PE									

PART LIST FOR MODEL FMGSF (SPEC 1) REV. 00

2 / 2

INDEX NO.	PART NUMBER	PARTS NAME	TYPE (MAKER)	QUANTITY								
				04	06	08	10	12	16	20		
	SF0300030	FOR FMGSF 04 / 06 / 08		1	1	1						
	SF0300031	FOR FMGSF 10 / 12					1	1				
	SF0300032	FOR FMGSF 16 / 20								1	1	
18	SF0300040	DRAIN PAN LOCKING	EG	2	2	2	2	2	2	2	2	2
19B	SF0300044	FRONT PANEL ASSY FOR FMGSF 04 / 06 / 08 (PUNCH HOLD)		1	1	1						
19.1B	SF0300044-1	FRONT PANEL / INSULATION	EG / PE	1	1	1						
19.2B	SF0300047	FRONT PANEL HOLDER	EG	2	2	2						
19B	SF0300045	FRONT PANEL ASSY FOR FMGSF 10 / 12 (PUNCH HOLD)					1	1				
19.1B	SF0300045-1	FRONT PANEL / INSULATION	EG / PE				1	1				
19.2B	SF0300047	FRONT PANEL HOLDER	EG				2	2				
19B	SF0300046	FRONT PANEL ASSY FOR FMGSF 16 / 20 (PUNCH HOLD)								1	1	
19.1B	SF0300046-1	FRONT PANEL / INSULATION	EG / PE							1	1	
19.2B	SF0300047	FRONT PANEL HOLDER	EG							2	2	
20	SF0300039	FRONT PANEL LOCKING	EG	1	1	1	1	2	2	2	2	2
21	SF0100006	SIDE COVER (LH)	ABS	1	1	1	1	1	1	1	1	1
22	SF0100007	SIDE COVER (RH)	ABS	1	1	1	1	1	1	1	1	1
23	SF0100008	RETURN GRILLE	ABS	3	3	3	4	4	4	6	6	6
24	SF0100009	RETURN FILTER	ABS	3	3	3	4	4	4	6	6	6
25	SF0100010	UPPER SIDE FRAME (LH)	ABS	1	1	1	1	1	1	1	1	1
26	SF0100011	UPPER SIDE FRAME (RH)	ABS	1	1	1	1	1	1	1	1	1
27		EXTRUSION	PVC									
	SF0100012	FOR FMGSF 04 / 06 / 08		6	6	6						
	SF0100013	FOR FMGSF 10 / 12					6	6				
	SF0100014	FOR FMGSF 16 / 20								6	6	
28	SF0100015	SWING BLADE	ABS	3	3	3	4	4	4	6	6	6
29	SF0100016	SUPPORT SWING BLADE	ABS	2	2	2	3	3	5	5	5	5
30	SF0100017	COUPLING FOR LOUVER	ABS	3	3	3	4	4	4	6	6	6
31	SF0100018	PLASTIC BUSH (SIDE) FOR EXTRUSION	ABS	12	12	12	12	12	12	12	12	12
32	SF0100019	PLASTIC BUSH (INTERMEDIATE) FOR EXTRUSION	ABS	12	12	12	18	18	30	30	30	30
33		BLOWER ASSEMBLE										
33.1		BLOWER HOUSING	ABS									
	SF0100001	FOR BLOWER WHEEL 8"		2				1				
	SF0100002	FOR BLOWER WHEEL 9"			2	2	2	2	4	4	4	4
33.2		BLOWER WHEEL	ABS					1				
	SF0100003	6" X 8"		2								
	SF0100034	6" X 9"			2							
	SF0100004	7" X 8"				2	2	2	4	4	4	4
33.3	SF0100005	GUIDE VANE	PP	4	4	4	4	6	8	8	8	8
34	SF0200008	TRANSFORMER		1	1	1	1	1	1	1	1	1
35	SF0200009	SWING MOTOR	SYNCHRONOUS	1	1	1	1	1	1	1	1	1
36		MOTOR (60 HZ) / CAPACITOR	PSC									
	SF0200002	1 / 15 HP		1	1							
	SF0200003	1 / 10 HP				1	1	1	2	2	2	2
	SF0200004	1 / 20 HP (1 SHAFT)						1				
37	WL888-MB	CONTROL BOX ASSY FOR WIRELESS CONTROL		1	1	1	1	1	1	1	1	1
37.1	SF0100023	CONTROL BOX COVER		1	1	1	1	1	1	1	1	1
37.2	WL888-PCB	CONTROL BOX PCB		1	1	1	1	1	1	1	1	1
37.3	SF0100024	CONTROL BOX SUPPORT		1	1	1	1	1	1	1	1	1
38	SF0200010	TERMINAL BLOCK 6 POLE W / PLASTIC COVER		1	1	1	1	1	1	1	1	1
39	WL888-DS	RECEIVER ASSY FOR WIRELESS CONTROL		1	1	1	1	1	1	1	1	1
40	WL888-HS	WIRELESS REMOTE		1	1	1	1	1	1	1	1	1
41	SF0100032	WIRELESS REMOTE BRACKET		1	1	1	1	1	1	1	1	1
42	WL888-CAB	WIRELESS RECEIVER CONTROL CABLE		1	1	1	1	1	1	1	1	1
43	SF0700001	SPRING WASHER 1/4		4	4	4	4	6	8	8	8	8
44	SF0700002	WASHER 1/4		4	4	4	4	6	8	8	8	8
45	SF0700003	NUT 1/4		4	4	4	4	6	8	8	8	8
46	SF0700004	TAPPING SCREW 8 X 5/16		2	2	2	2	2	2	2	2	2
47	SF0700005	SCREW M4 X 10		2	2	2	2	2	2	2	2	2
48	SF0700006	NUT M4		2	2	2	2	2	2	2	2	2
49	SF0700008	SCREW FH 7 X 5/8		2	2	2	2	2	2	2	2	2
50	SF0700009	SCREW M3 X 15		2	2	2	2	2	2	2	2	2
51	SF0700010	SPRING WASHER M3		2	2	2	2	2	2	2	2	2
52	SF0700011	NUT M3		2	2	2	2	2	2	2	2	2
53	SF0200013	WIRE HARNESS FOR WIRED WIRELESS CONTROL										