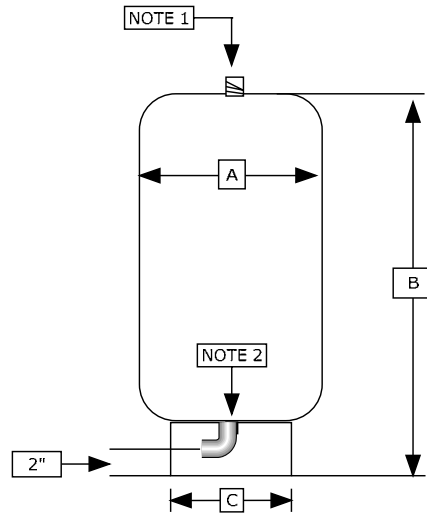


WX202H

20 Gallon Liquid Solution Storage Tank

MULTIAQUA



TITLE	20 GALLON STORAGE TANK-WX202H	MODEL #	GALLONS	MAX (psig)	SHIPPING WEIGHT	DIMENSIONS (in)			NOTES: 1. 1.00" MALE NPT OUTLET 2. 1.00" FEMALE NPT INLET
AUTHOR	kjg	WX202H	20	75	34 lbs	A	B	C	
DATE	06/26/07					15 3/8	31 5/8	13 5/8	
REVISION	0607400019								