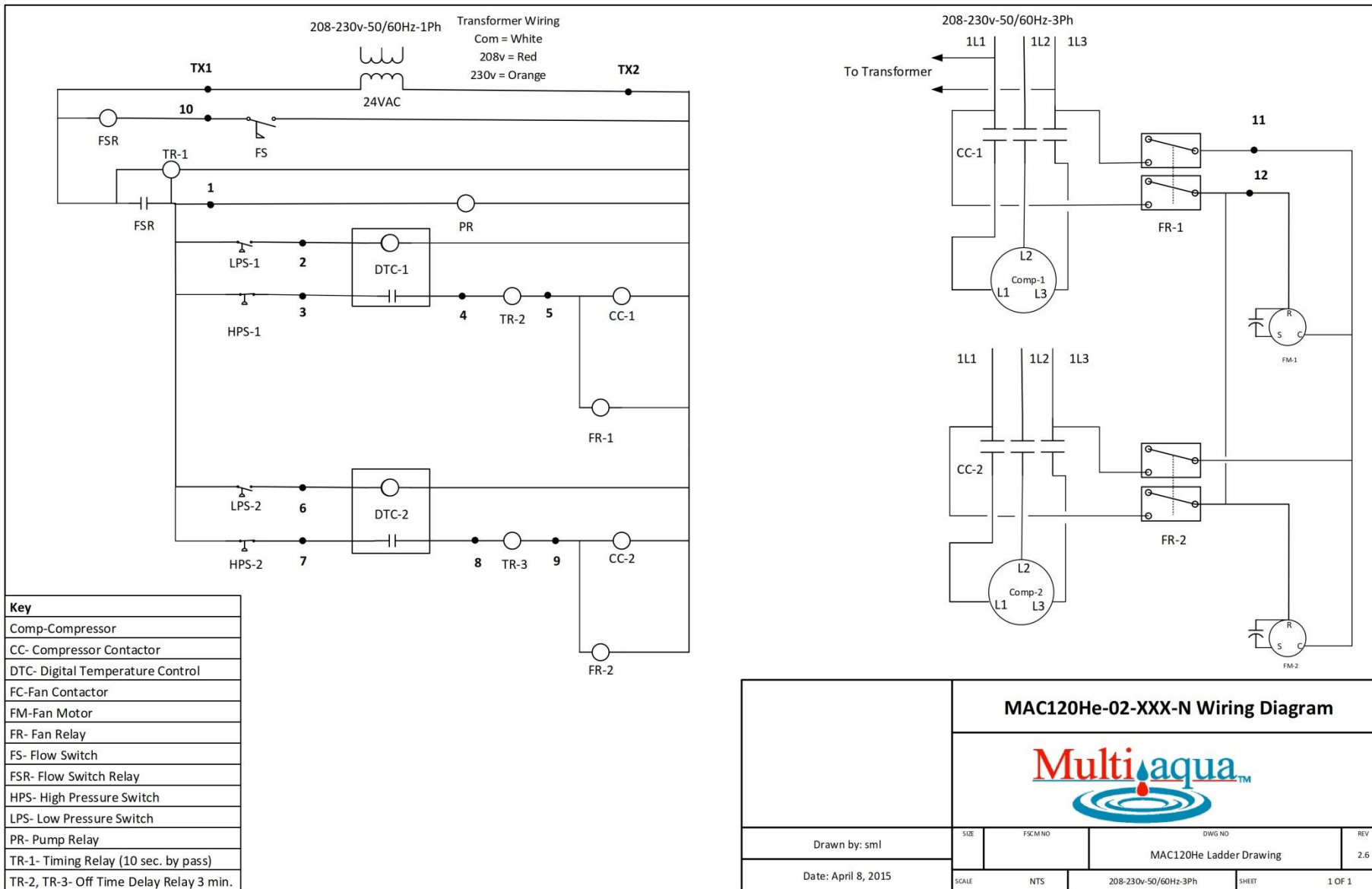
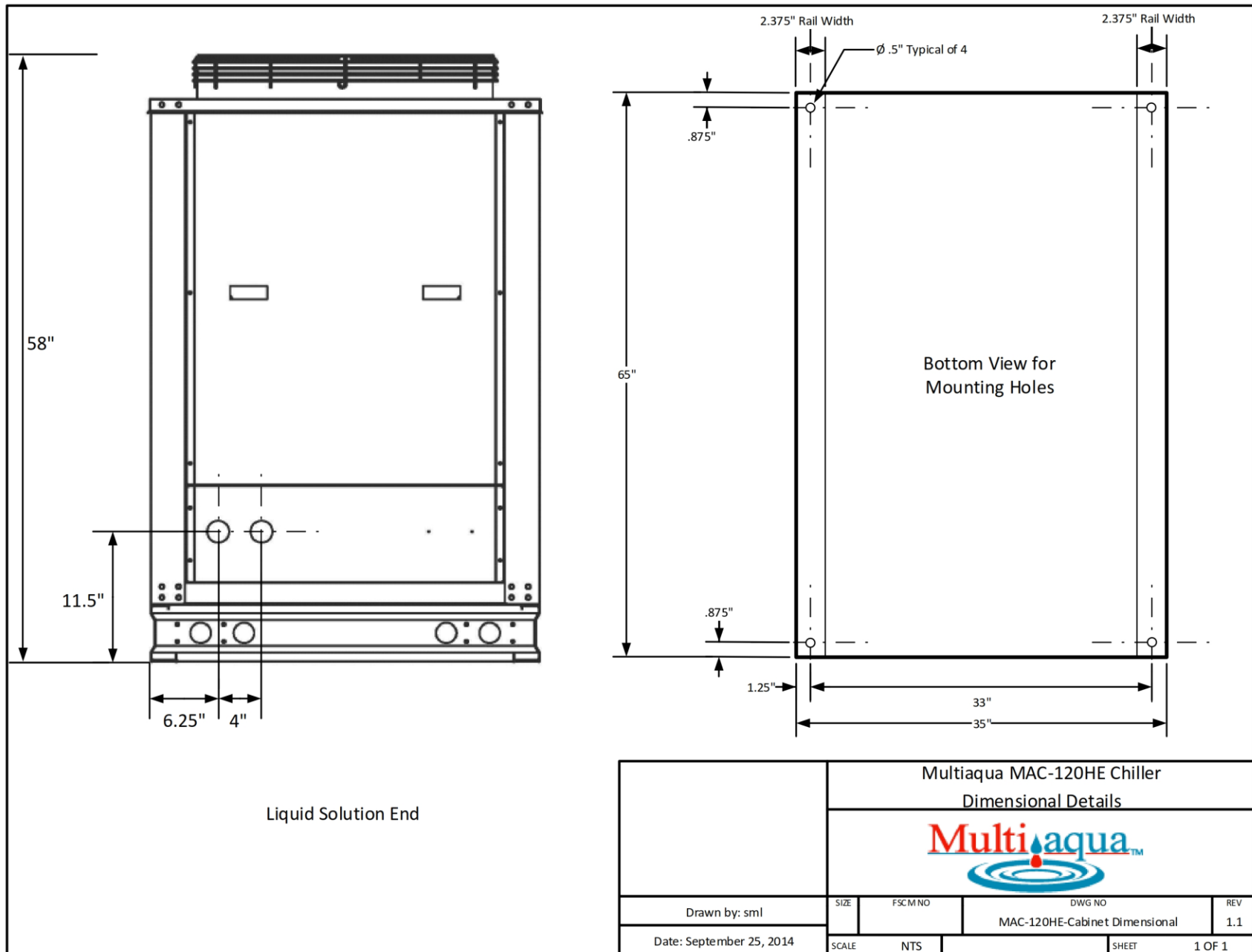



# MAC-120HE-2 Wiring Diagram

## 208/230-3-50/60



# MAC-120HE-2 Dimensional Drawing



		Multiaqua MAC-120HE Chiller			
		Dimensional Details			
					
		Drawn by: sml	SIZE	FSC M NO	DWG NO
Date: September 25, 2014	SCALE	NTS	MAC-120HE-Cabinet Dimensional		1.1
			SHEET	1 OF 1	