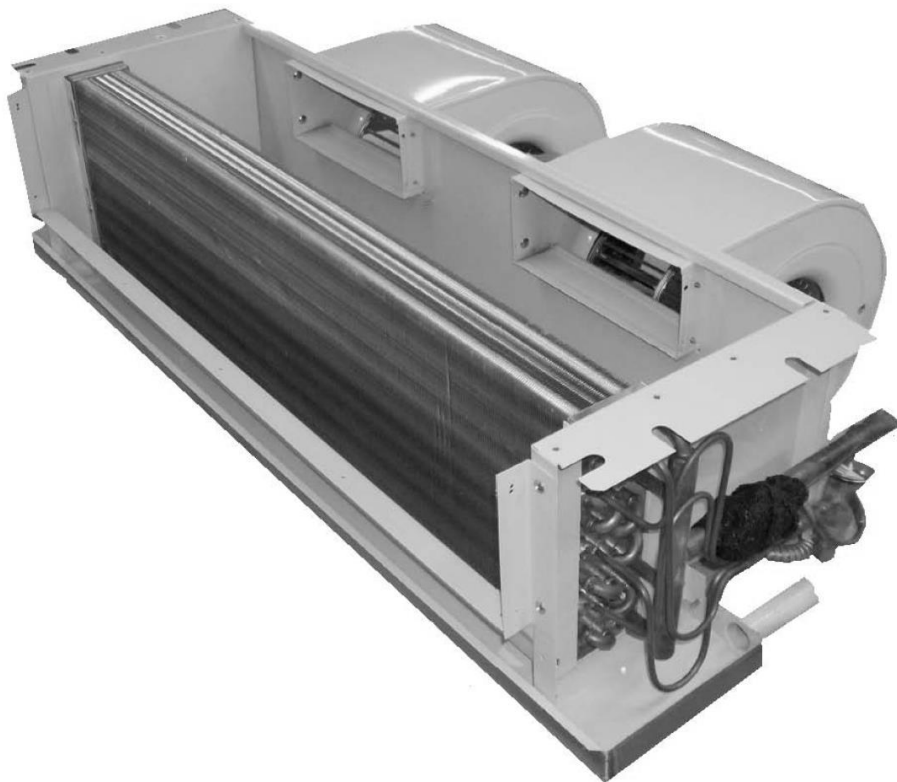


INSTALLATION and OPERATION MANUAL



MCCX

Multiaqua™




INSTALLATION & OPERATING MANUAL

MCCX Fan Coils 4 & 5 Tons

----- **CAUTION** -----
Care must be taken when handling sheet metal. Sheet metal parts have sharp edges and could cause injury.

GENERAL

Read the entire contents of this manual before beginning installation. Multiaqua assumes no responsibility for equipment installed contradictory to any code requirement or installation instructions.

The components of this fan coil have been inspected at the factory and readied for shipment. Upon receiving the shipment a visual inspection of the packaging must be performed.

If any damage to the packaging is discovered, an inspection of the components must be performed and noted on the delivery documents. If component damage is found, a damage claim must be filed by the receiving party against the delivery party immediately.

This product is designed and manufactured to permit installation in accordance with national codes. It is the installer's responsibility to install the product in accordance with national codes and/or prevailing local codes and regulations.

Care must be taken to ensure the structural integrity of the supporting members, clearances and provisions for servicing, power supply, coil connections and/or condensate removal. Before the installation, ensure the structural strength of the supporting members is sufficient. See [Figure 1](#) for hanging weights of the fan coils.

This unit is designed to be installed in a

horizontal configuration only. See [Figure 2](#) for fan coil dimensions.

FAN COIL MODEL NUMBER	APPROXIMATED WEIGHTS (LBS.)
MCCX-16-C-1	68.34
MCCX-20-C-1	72.80

[Figure 1](#)

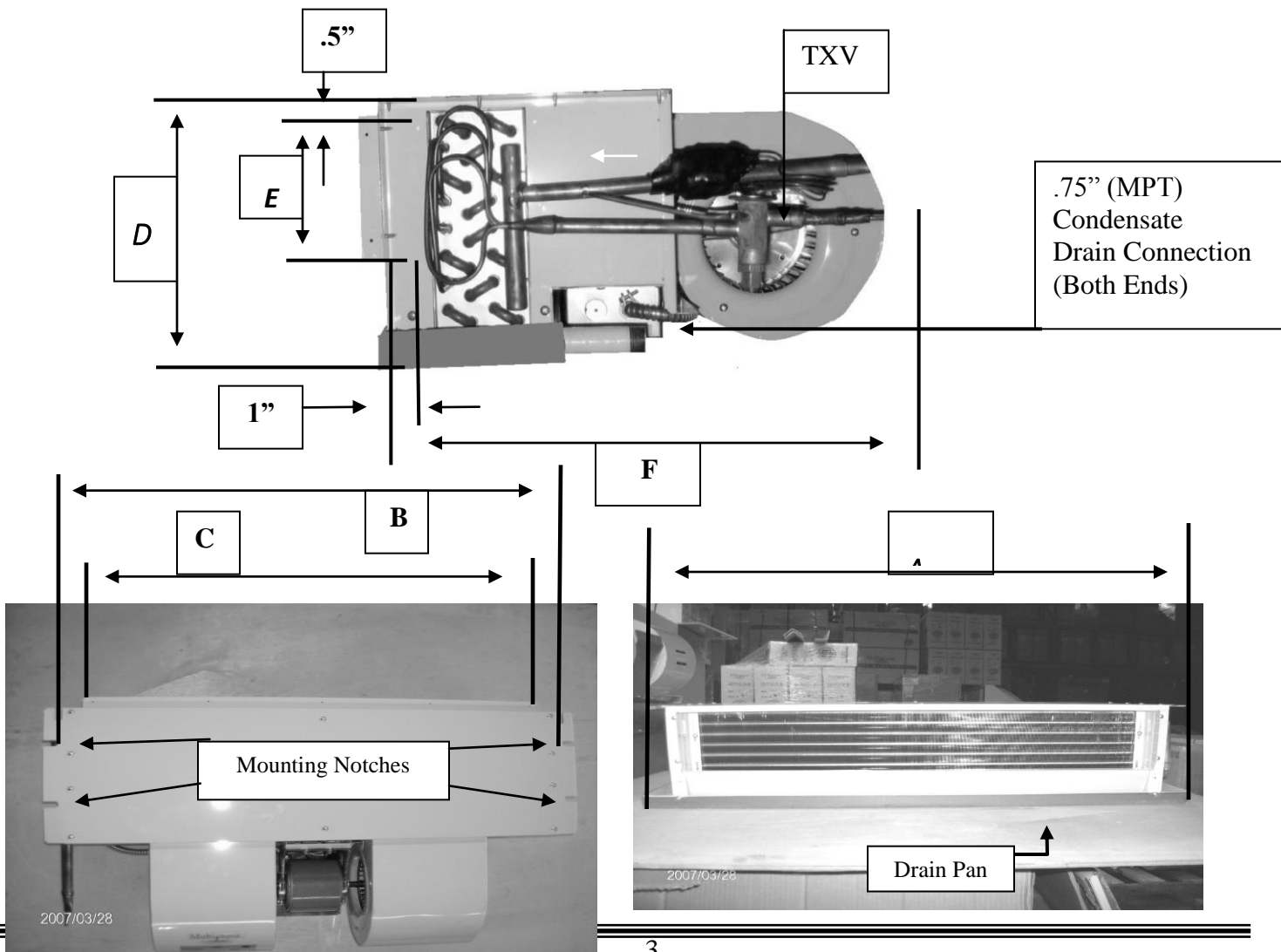


INSTALLATION & OPERATING MANUAL

MCCX Fan Coils 4 & 5 Tons

FAN COIL DIMENSIONS (in)						
Fan Coil Model Number	A	B	C	D	E	F
MCCX-16-C-1	48.39	43.86	42.20	13.74	9.49	19.80
MCCX-20-C-1	56.38	51.85	42.20	13.74	9.49	19.80

Figure 2





INSTALLATION & OPERATING MANUAL

MCCX Fan Coils 4 & 5 Tons

----- **CAUTION** -----

Care must be taken when handling sheet metal. Sheet metal parts have sharp edges and could cause injury.

INSTRUCTIONS FOR INSTALLING FAN COIL UNIT INTO A FIELD SUPPLIED ENCLOSURE ASSEMBLY

1. Remove the ten screws that attach the electrical assembly to the fan coil unit. Do not separate the electrical assembly from the blower assembly. These two assemblies will be removed in the next step.

Figure 3

2. Remove the five screws attaching the blower assembly to the coil assembly. Separate the electrical and blower assemblies from the coil assembly.

Figure 4

3. **Enclosure assembly must be field fabricated or supplied by others.** Insert the coil assembly into the enclosure assembly starting with the discharge air opening of the coil first. Ensure that the discharge of the coil is inserted into the discharge of the enclosure completely. Failure to completely insert the coil discharge will result in recirculation of the discharge air.

Figure 5

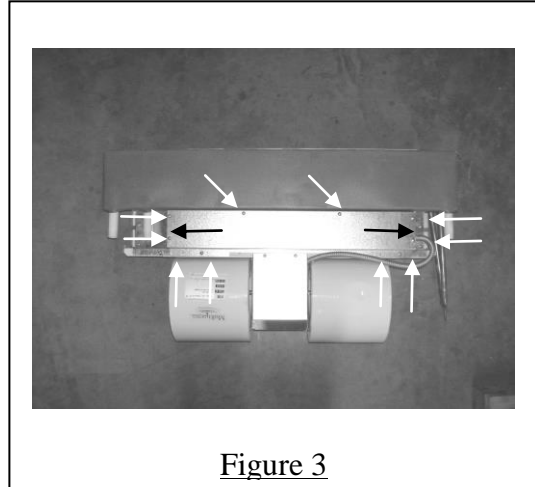


Figure 3

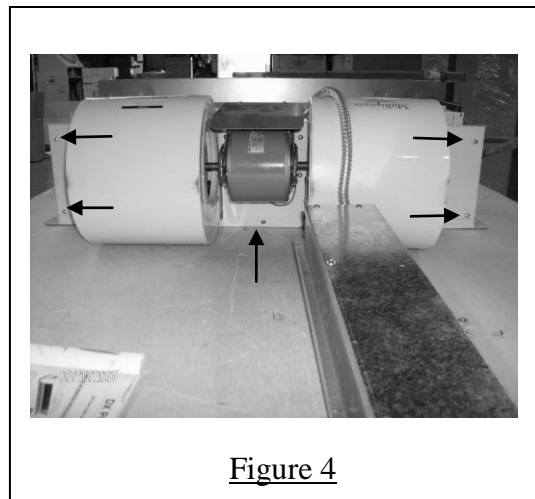


Figure 4

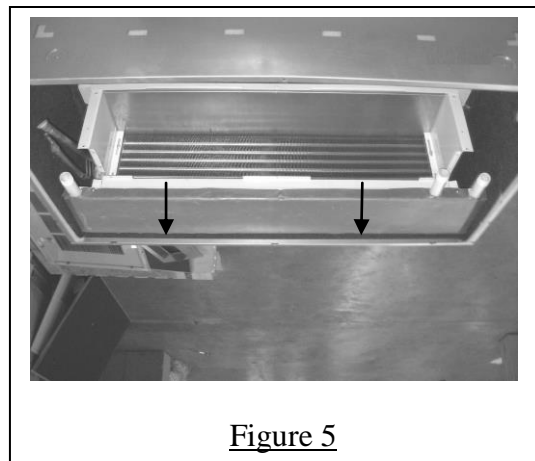


Figure 5



INSTALLATION & OPERATING MANUAL

MCCX Fan Coils 4 & 5 Tons

4. Use factory provided mounting notches to hang the fan coil inside an enclosure assembly.

Secure the coil assembly to the enclosure with two mounting bolts per side. Ensure that the coil assembly is level in both directions to allow proper drainage and operation.

Figure 6

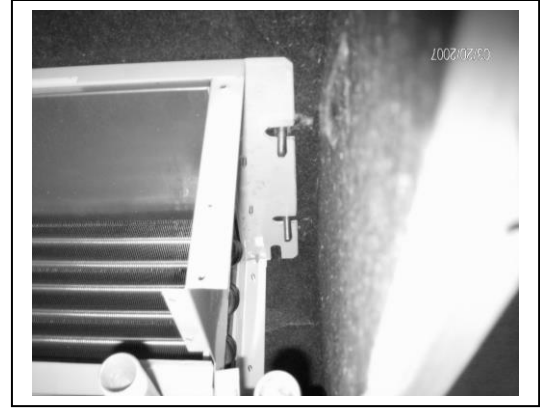


Figure 6

5. Reinstall the blower assembly onto the coil assembly using the five screws previously removed in step 2, Figure 4.

Figure 7



Figure 7

6. Reinstall the electrical assembly onto the coil assembly using the ten screws previously removed in step 1, Figure 3.

Figure 8



Figure 8



INSTALLATION & OPERATING MANUAL

MCCX Fan Coils 4 & 5 Tons

ELECTRICAL & CONDENSATE DRAIN

7. There are four termination points for the electrical wiring. There are two on each side of the electrical box. See unit Wiring Diagram for electrical drawings. Wiring must be installed according to prevailing codes and regulations. The fan coil includes a condensate drain connection.

Ensure that all condensate drain lines have at least 1/4" of an inch of fall per foot for proper drainage.

Figure 10

DIRECT EXPANSION COIL CONNECTIONS

8. The fan coil unit comes with a Thermal Expansion Valve (TXV) installed on the DX coil. Ensure that the suction line is insulated all the way to the coil header and the liquid line is insulated from the TXV to the distributor.

Figure 11

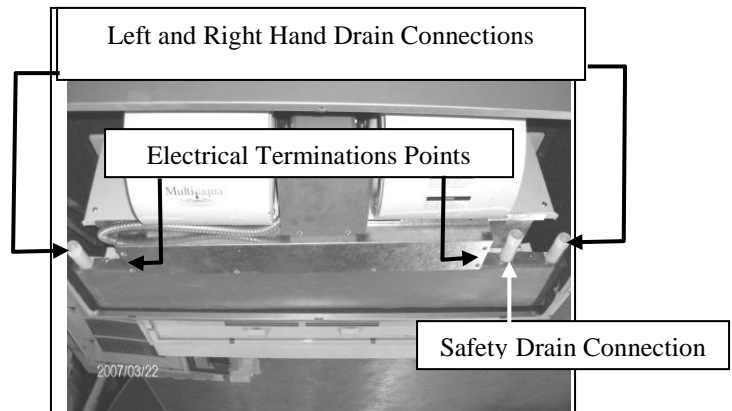


Figure 10

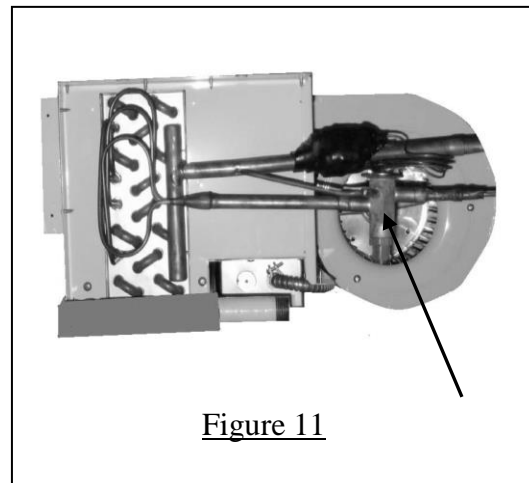


Figure 11



INSTALLATION & OPERATING MANUAL

MCCX Fan Coils 4 & 5 Tons

MAINTENANCE

1. Air Filter(s):

Filters are an essential part of the quality of air that is provided to the occupants. Never operate HVAC equipment without filters. Filters help remove dust and unwanted particles from the air stream, helping to keep the space clean. They also keep this debris from collecting on the heat transfer surfaces of the unit thus maintaining optimum equipment efficiency and performance. These filters will be located either in the unit or upstream from the unit in the return air ductwork. Filters must be inspected, cleaned and/or changed routinely. This routine maintenance procedure will allow the unit to continually operate as designed, reduce service expenses and extend equipment/component life.

2. Fuses and/or Circuit Breakers:

This unit must be connected to the buildings electric service in accordance with local/national electrical codes and regulations. These electrical connections will include over current protection in the form of fuses or circuit breakers. Have your contractor identify/label the circuits and the location of them so that you may be in a position to make inspections

and/or replacements in the event the unit fails to operate or is being serviced. If fuses are used, ensure that the replacement fuses are of the same size and type as the ones you are replacing. It is a good idea to keep replacement fuses of the appropriate size and type on hand.

3. Routine Check Up and Service:

This product is designed to provide many years of dependable, trouble free comfort when properly maintained. Proper maintenance will consist of routine filter cleanings/changes, bi-annual check-ups that include but not limited to filter inspections, electric heater inspections /cleaning of the internal electrical and heat transfer components by a qualified service technician. Failure to provide periodic check-ups and cleaning can result in excessive operating cost and/or equipment failure.