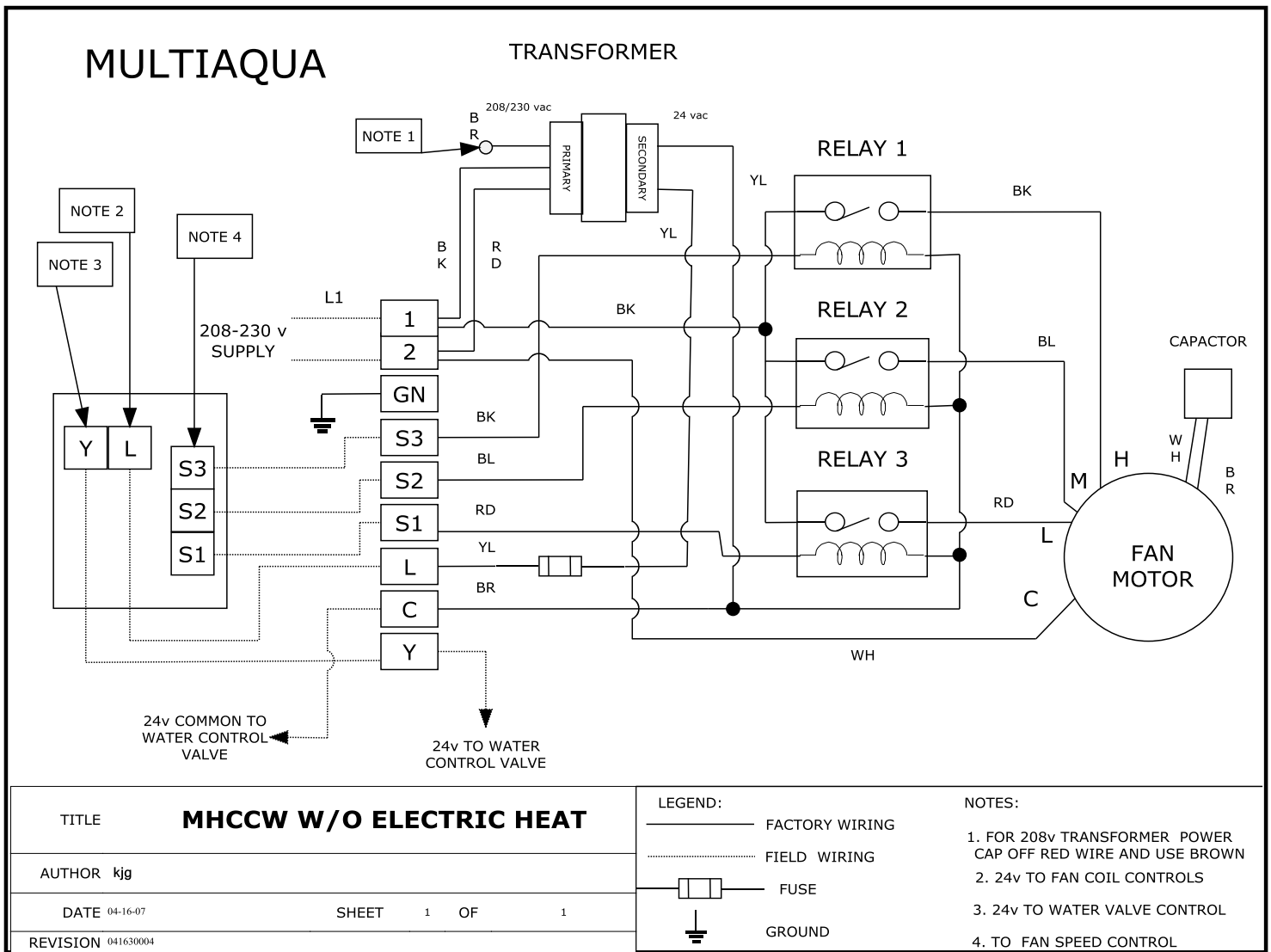


MHCCW-04-00

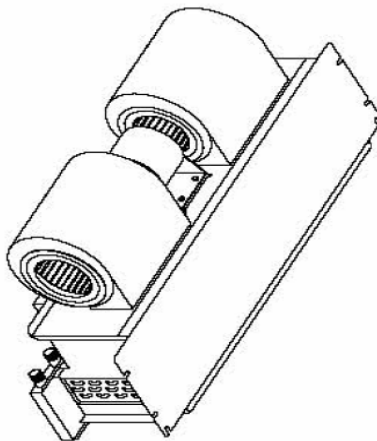
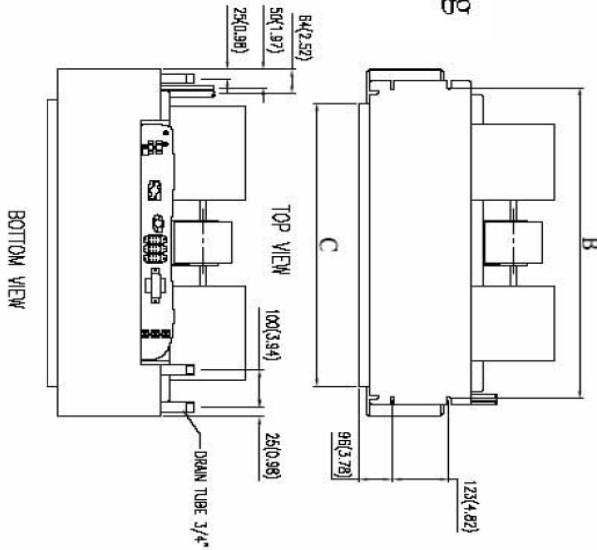
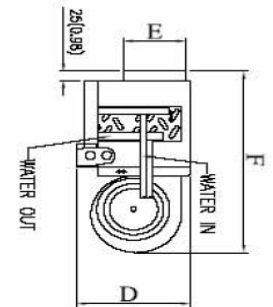
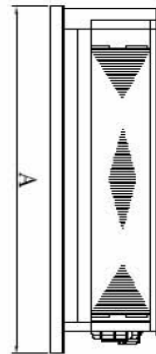
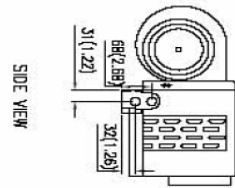
without Electric Heat Wiring Diagram

208/230/-1-50/60



MHCCW-04-00 Dimensional Drawing

MHCCW Certified Drawing
 Drawing # 0907400070



Model MHCCW

| MODEL | A | B | C | D | E | F |
|-------|-------------|-------------|-------------|------------|-----------|------------|
| 04 | 958(31.72) | 878(34.57) | 798(31.42) | 260(10.24) | 140(5.51) | 550(21.65) |
| 06 | 958(31.72) | 878(34.57) | 798(31.42) | 260(10.24) | 140(5.51) | 550(21.65) |
| 08 | 958(31.72) | 878(34.57) | 798(31.42) | 260(10.24) | 140(5.51) | 550(21.65) |
| 10 | 1110(43.70) | 1030(40.55) | 950(37.40) | 260(10.24) | 140(5.51) | 550(21.65) |
| 12 | 1262(49.69) | 1182(46.54) | 1102(43.38) | 260(10.24) | 140(5.51) | 550(21.65) |