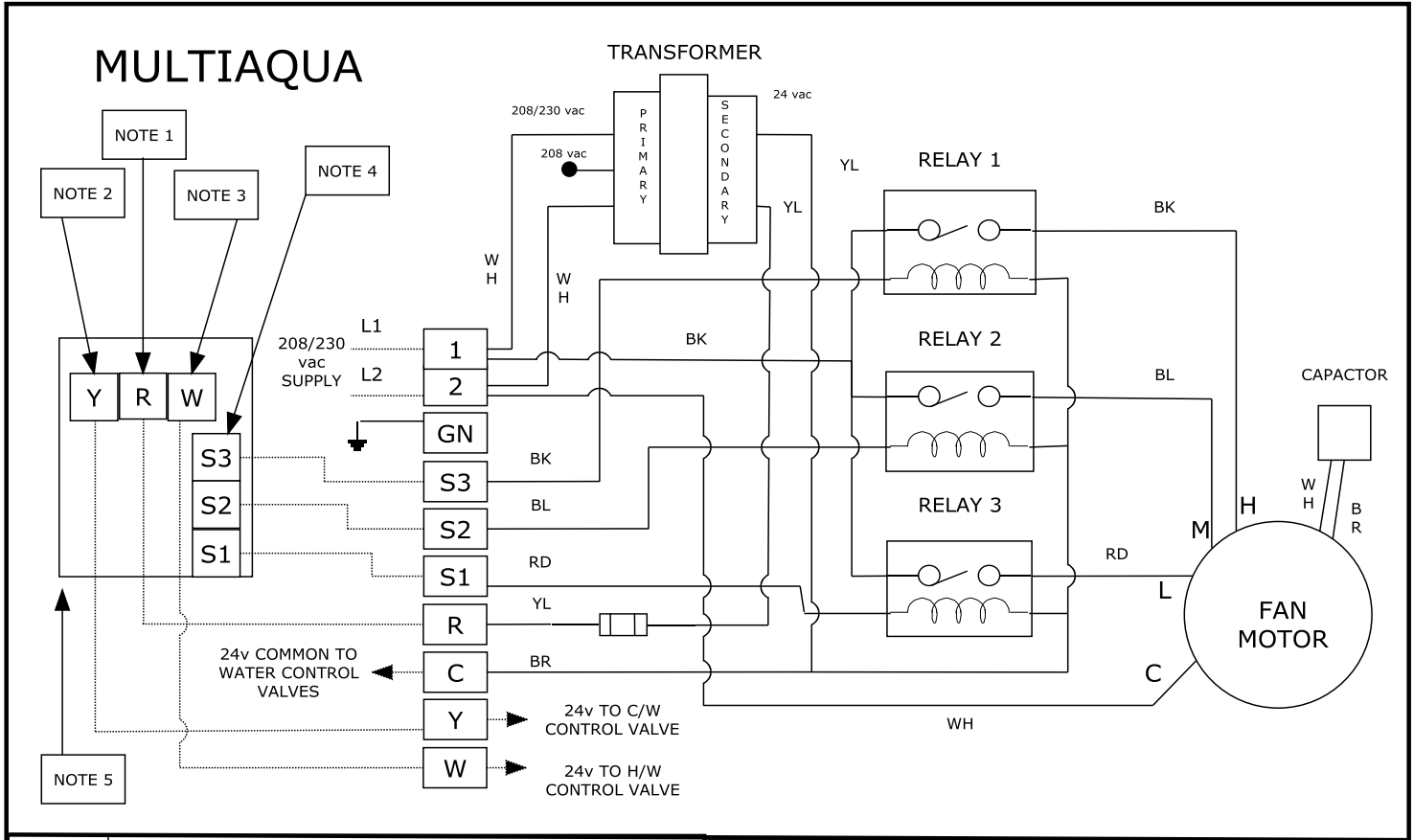


# MHNCCW-08-01 Wiring Diagram

208/230-1-50/60

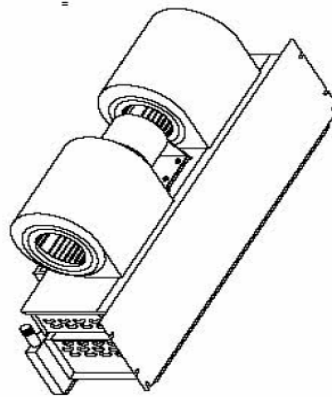
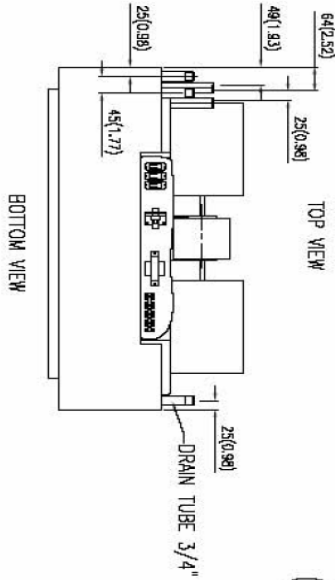
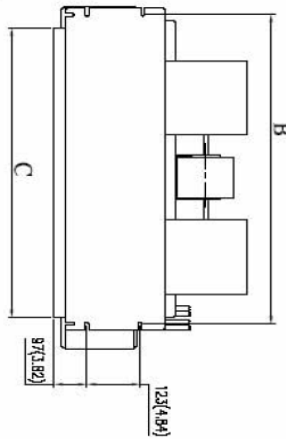
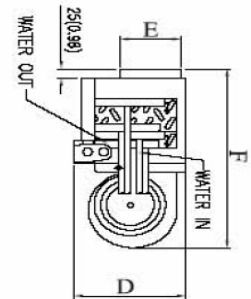
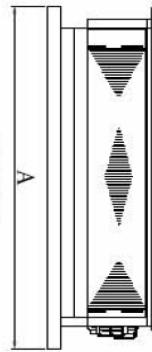
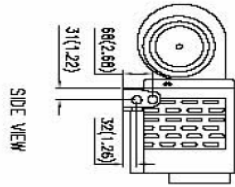


TITLE	<b>MHNCCW 4-PIPE HYDRONIC FAN COIL</b>
AUTHOR	kjg
DATE	09/06/07
REVISION	0907300040

<b>LEGEND:</b>	<b>NOTES:</b>
— (Solid line)	FACTORY WIRING
⋯ (Dotted line)	FIELD WIRING
— — (Fuse symbol)	FUSE
⏏ (Ground symbol)	GROUND
	1. 24v TO FAN COIL CONTROLS
	2. 24v TO CHILLED WATER CONTROL VALVE
	3. 24v TO HOT WATER CONTROL VALVE
	4. TO FAN SPEED CONTROL
	5. CONTROLS SUPPLIED BY OTHEES

# MHNCCW-08-01 Dimensional Drawing

MHNCCW Certified Drawing  
 Drawing # 0907 400071



Model MHNCCW

MODEL	A	B	C	D	E	F
04	956(37.64)	843(33.19)	763(30.04)	265(10.43)	140(5.51)	548(21.57)
06	956(37.64)	843(33.19)	763(30.04)	265(10.43)	140(5.51)	548(21.57)
08	956(37.64)	843(33.19)	763(30.04)	265(10.43)	140(5.51)	548(21.57)
10	1108(43.62)	995(39.17)	915(36.02)	265(10.43)	140(5.51)	548(21.57)
12	1260(49.61)	1147(45.16)	1067(42.01)	265(10.43)	140(5.51)	548(21.57)