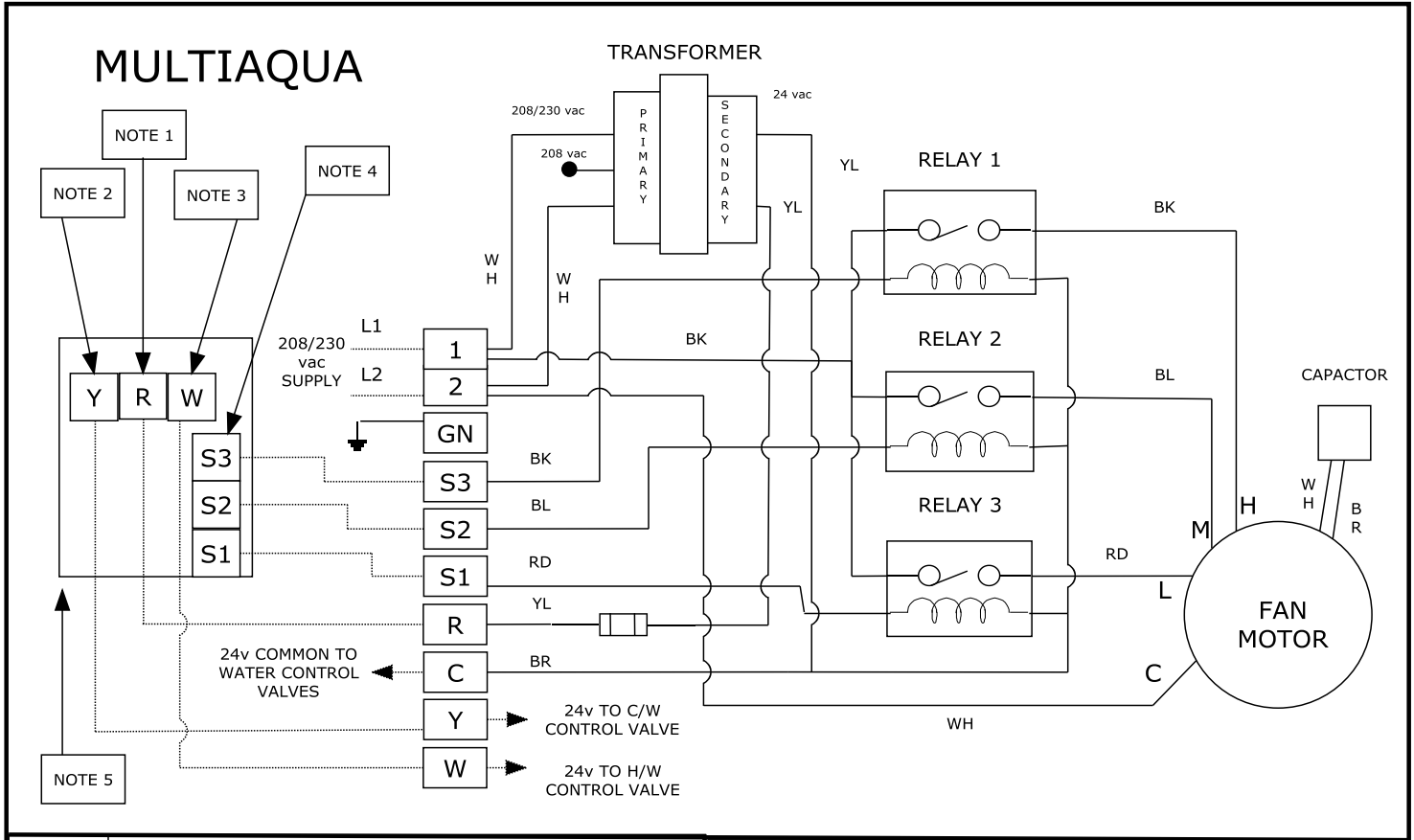


MHNCCW-12-01 Wiring Diagram

208/230-1-50/60

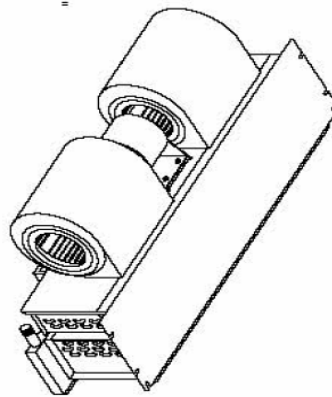
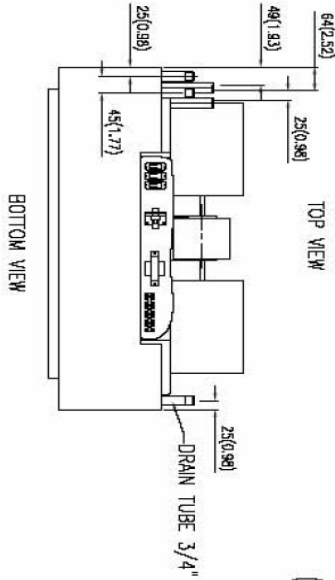
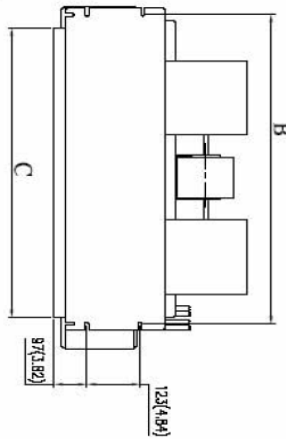
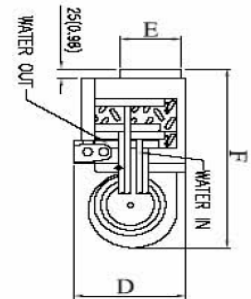
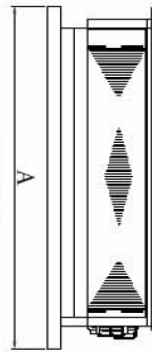
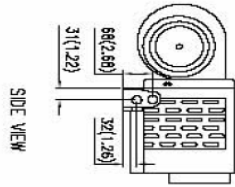


TITLE	MHNCCW 4-PIPE HYDRONIC FAN COIL
AUTHOR	kjg
DATE	09/06/07
REVISION	0907300040

<p>LEGEND:</p> <p>————— FACTORY WIRING</p> <p>..... FIELD WIRING</p> <p>— — FUSE</p> <p>⏏ GROUND</p>	<p>NOTES:</p> <p>1. 24v TO FAN COIL CONTROLS</p> <p>2. 24v TO CHILLED WATER CONTROL VALVE</p> <p>3. 24v TO HOT WATER CONTROL VALVE</p> <p>4. TO FAN SPEED CONTROL</p> <p>5. CONTROLS SUPPLIED BY OTHEES</p>
--	---

MHNCCW-12-01 Dimensional Drawing

MHNCCW Certified Drawing
 Drawing # 0907 400071



Model MHNCCW

MODEL	A	B	C	D	E	F
04	956(37.64)	843(33.19)	763(30.04)	265(10.43)	140(5.51)	548(21.57)
06	956(37.64)	843(33.19)	763(30.04)	265(10.43)	140(5.51)	548(21.57)
08	956(37.64)	843(33.19)	763(30.04)	265(10.43)	140(5.51)	548(21.57)
10	1108(43.62)	995(39.17)	915(36.02)	265(10.43)	140(5.51)	548(21.57)
12	1260(49.61)	1147(45.16)	1067(42.01)	265(10.43)	140(5.51)	548(21.57)