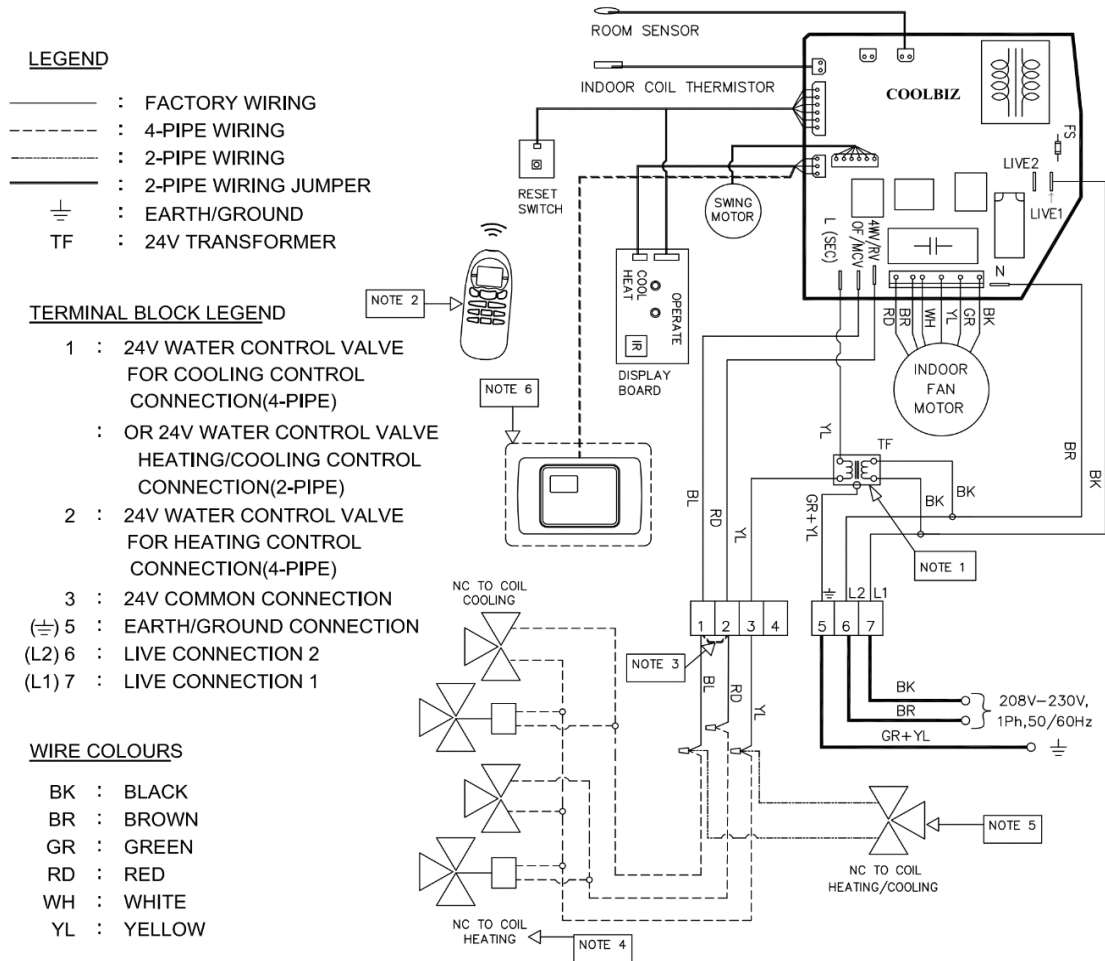


WIRING DIAGRAM

Model: MHW-09-H-1 & MHW-12-H-1



P/N: PP090215

MHWW-09-H-1 Dimensional Drawing

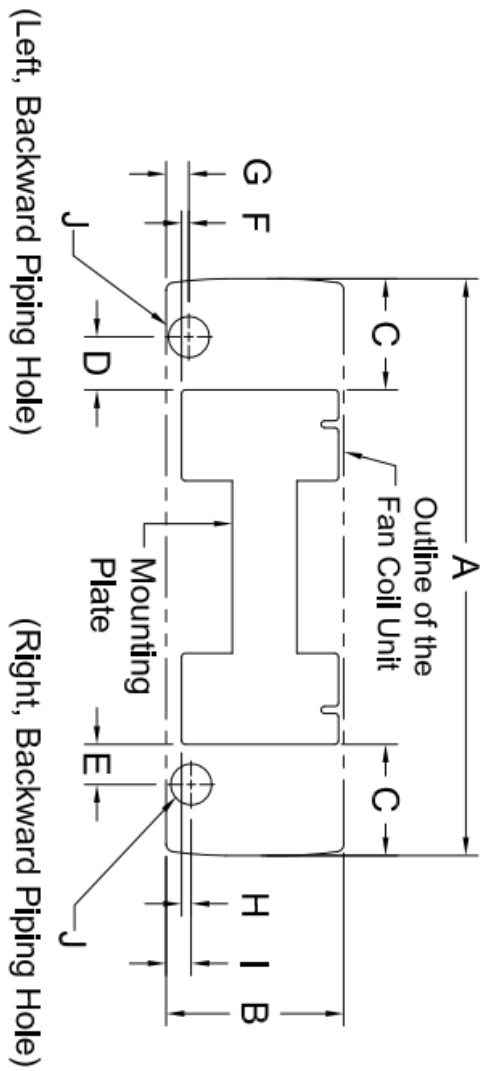


FIGURE 2

MODEL	A	B	C	D	E	F	G	H	I	J
MHWW-09-H-1	34.6	11.7	7.5	3.5	2.7	0.8	1.4	1.0	1.6	Ø2.76
MHWW-12-H-1	39.0	12.0	7.5	3.6	2.7	0.9	1.8	1.1	2.0	Ø2.76

Dimensions are in inches.