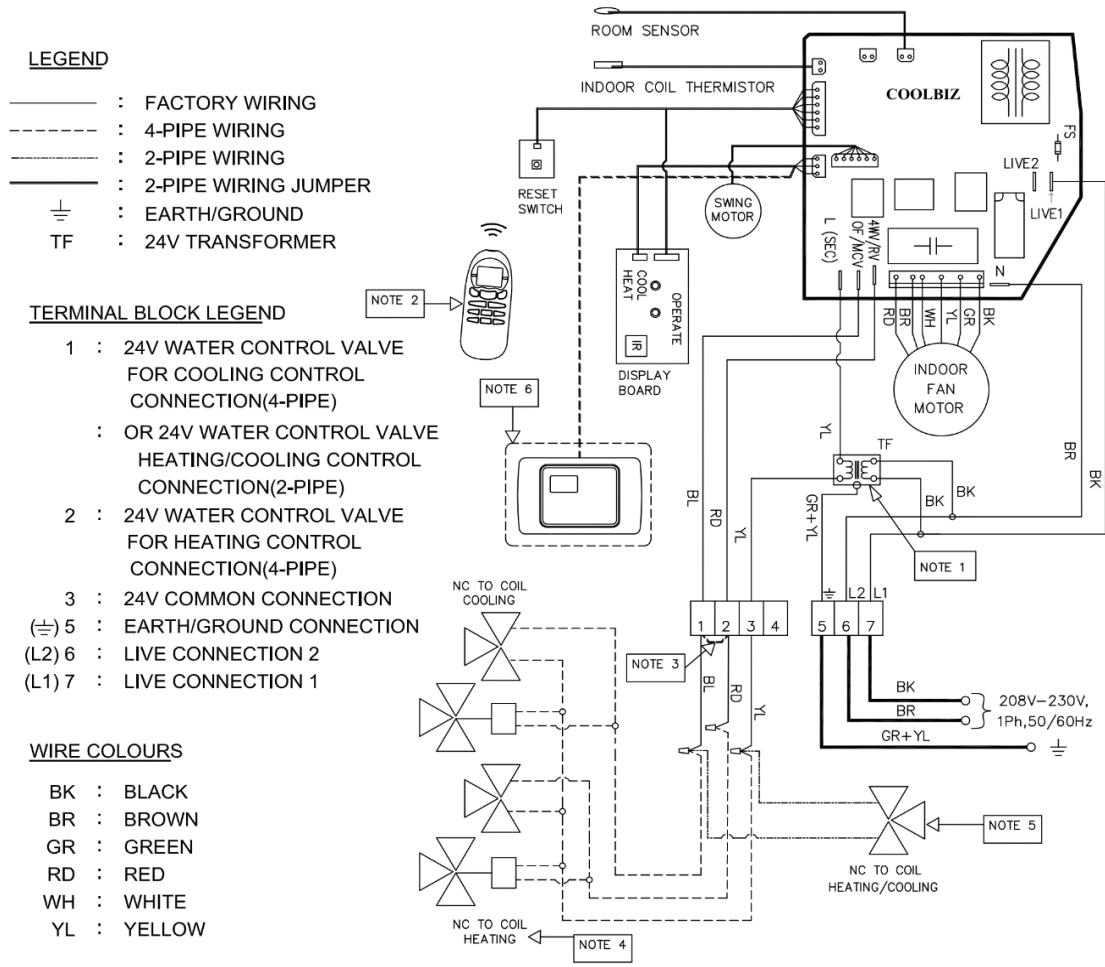


WIRING DIAGRAM

WIRING DIAGRAM

Model: MHW-09-H-1 & MHW-12-H-1



LEGEND

- : FACTORY WIRING
- - - - - : 4-PIPE WIRING
- · - · - : 2-PIPE WIRING
- : 2-PIPE WIRING JUMPER
- ⊥ : EARTH/GROUND
- TF : 24V TRANSFORMER

TERMINAL BLOCK LEGEND

- 1 : 24V WATER CONTROL VALVE FOR COOLING CONTROL CONNECTION(4-PIPE)
- : OR 24V WATER CONTROL VALVE HEATING/COOLING CONTROL CONNECTION(2-PIPE)
- 2 : 24V WATER CONTROL VALVE FOR HEATING CONTROL CONNECTION(4-PIPE)
- 3 : 24V COMMON CONNECTION
- (±) 5 : EARTH/GROUND CONNECTION
- (L2) 6 : LIVE CONNECTION 2
- (L1) 7 : LIVE CONNECTION 1

WIRE COLOURS

- BK : BLACK
- BR : BROWN
- GR : GREEN
- RD : RED
- WH : WHITE
- YL : YELLOW

NOTES:

1. 208/230V - 24Vac TRANSFORMER
2. WIRELESS REMOTE INCLUDES A WALL MOUNTING BRACKET
3. JUMPER MUST BE FIELD INSTALLED FOR 2-PIPE HEAT/COOL OPERATION
4. 4-PIPE WIRING AND VALVE CONFIGURATION
5. 2-PIPE WIRING AND VALVE CONFIGURATION
6. WIRED REMOTE UNIT, OPTIONAL
7. THE FIELD WIRING CONDUCTOR OF HIGH AND LOW VOLTAGE CIRCUIT SHALL BE SEPARATELY FIXED FIRMLY BY EACH CLAMP.
8. ALL WIRING SHALL BE DONE ACCORDING TO NATIONAL AND LOCAL CODE REQUIREMENTS.
9. A LINE OF SIGHT SERVICE DISCONNECT MUST BE PROVIDED AS A MEANS TO TURN OFF POWER FOR SERVICING.

P/N: PP090215

MHWW-12-H-1 Dimensional Drawing

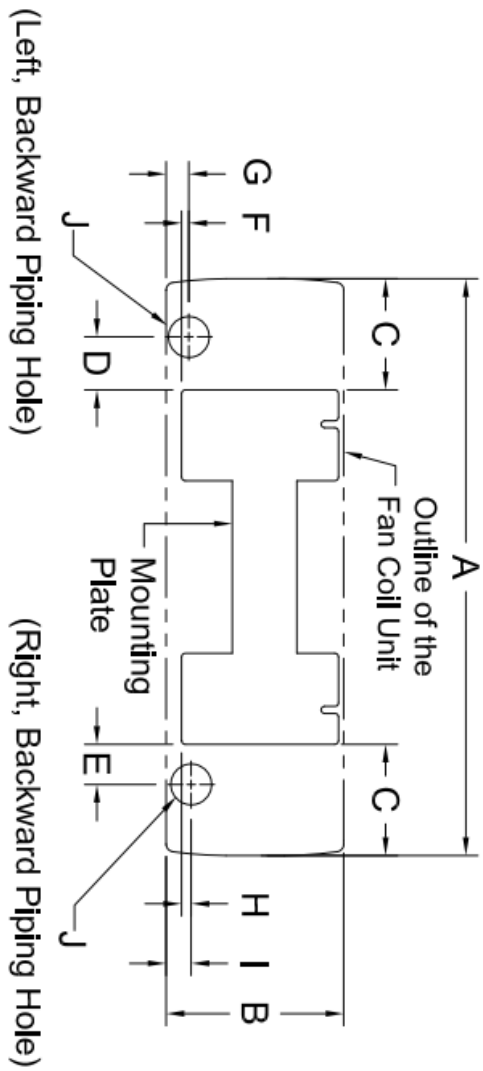


FIGURE 2

MODEL	A	B	C	D	E	F	G	H	I	J
MHWW-09-H-1	34.6	11.7	7.5	3.5	2.7	0.8	1.4	1.0	1.6	Ø2.76
MHWW-12-H-1	39.0	12.0	7.5	3.6	2.7	0.9	1.8	1.1	2.0	Ø2.76

Dimensions are in inches.