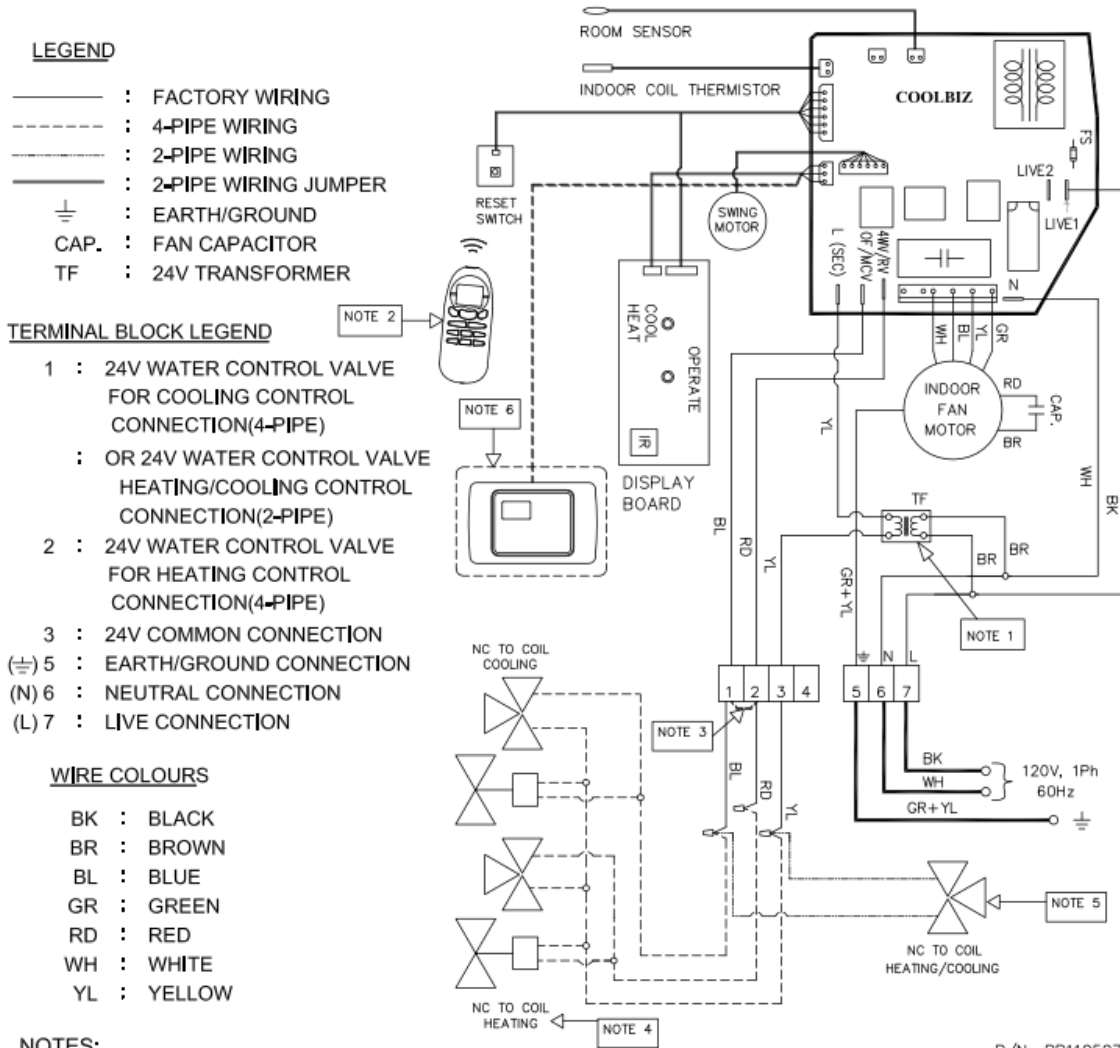


WIRING DIAGRAM

WIRING DIAGRAM

Model: MHWW-18-H-3



P/N: PP110507

MHWW-18-H-3 Dimensional Drawing

(Left, Backward Piping Hole)

(Right, Backward Piping Hole)

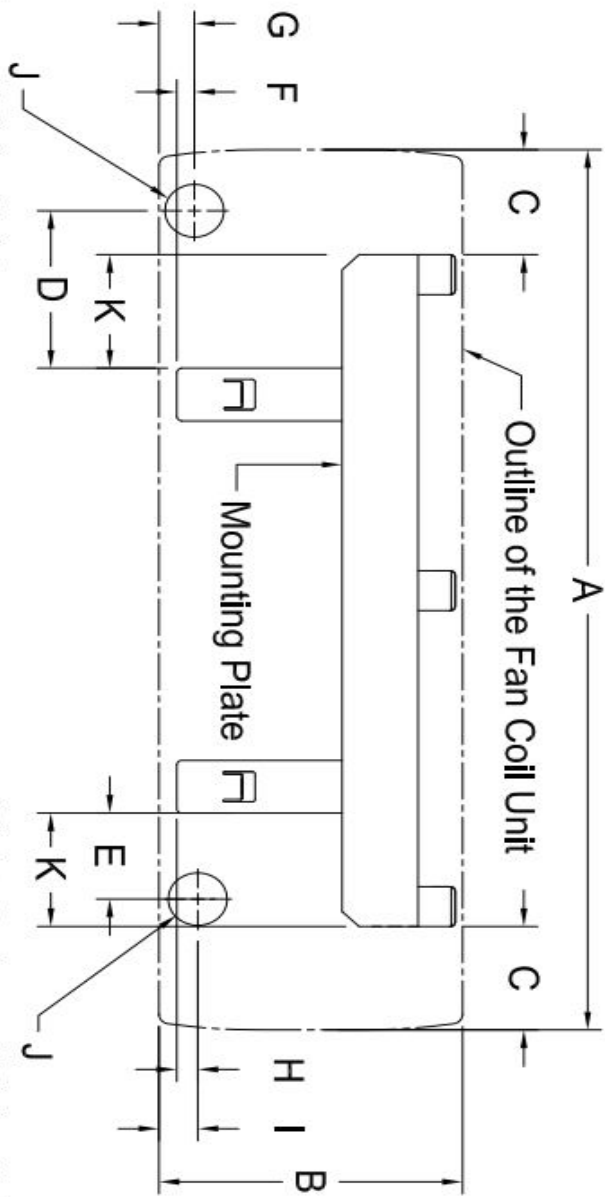


FIGURE 3

MODEL	A	B	C	D	E	F	G	H	I	J	K
MHWW-18-H-3	46.0	14.2	5.5	8.3	4.5	0.8	1.7	1	1.8	Ø2.76	5.9
MHWW-24-H-3											

Dimensions are in inches.