



MHWX-09-H-1 Direct Expansion Hi-Wall Fan Coil

Direct Expansion Fan Coil 9,000 BTUH

HVAC Guide Specifications

Direct Expansion Hi-Wall Fan Coil

Nominal Size:

9,000 BTUH

MultiAqua Model Number:

MHWX-09-H-1

Part 1-General

1.01 System Description

MultiAqua Direct Expansion Fan Coils are manufactured with high impact molded polymers.

1.02 Quality Assurance

- A. Certified in accordance with U.L. Standard 95, latest version (U.S.A.)
- B. Manufactured in a facility registered to ISO 9002, Manufacturing Quality Standard.
- C. Fully load tested at the factory.
- D. Damage resistant packaging.

1.03 Delivery, Storage and Handling

- A. Packaged and readied for shipment from the factory.
- B. Controls shall be capable of withstanding 150°F storage temperatures in the control compartment.
- C. Stored and handled per manufacturer's recommendations.

Part 2-Product

2.01 Equipment

- A. General:
 - 1. Unit shall be a factory assembled direct expansion fan coil.
 - 2. Shall be assembled with high quality.
 - 3. Contained with the unit shall be all factory wiring, piping, associated controls and special accessories required prior to start up.
- B. Unit Cabinet:
 - 1. Composed of high impact polymers.
 - 2. Shall be internally insulated to ensure quiet operation.
- C. Fan Motors:
 - 1. Shall be available in 208/230-1-50/60 VAC.
 - 2. Fan motors shall be three speed, direct drive, and PSC type.
 - 3. Totally enclosed.
 - 4. Internal overload protected.
 - 5. Unit shall contain a swing motor to modulate the discharge air.
- D. Blower Wheels:
 - 1. Blower wheels are tangential and dynamically balanced.
- E. DX Coil:
 - 1. Coils manufactured with 3/8" rifled copper tubing mechanically bonded to aluminum fins.
 - 2. Coils shall be pressure tested to U.L. Standard 95.
- F. Drain Pan:
 - 1. All drain pans shall be molded with high impact polymers.
 - 2. The exterior of all drain pans shall be insulated with closed cell to prevent condensation.
 - 3. Pan shall contain flexible drain tubing that is accessible from the back of the unit.
- G. Filters:
 - 1. Unit shall contain washable filters.

Part 3-Controls and Safeties**3.01 Controls**

- A. Fan coils shall be completely factory wired and tested.
- B. Shall be capable of heat pump operation.
- C. Controls shall include a circuit board, room sensor, indoor coil thermistor, transformer and wireless remote.
- D. Controls shall be capable of incorporating an optional hard-wired thermostat.

3.02 Safeties:

- A. Fan coil shall contain a non reusable fuse on the secondary voltage side of the transformer.
- B. Discharge air sensor.

Part 4-Operating Characteristics:**4.01 Electrical Requirements**

- A. Unit shall include a field installed three prong male primary electrical power cord.
- B. Electrical power supply shall be rated to withstand 120°F operating ambient temperatures.

Part 5- Definitions:**5.01 Abbreviations**

- A. CFM = Cubic Feet per Minute
- B. DB = Dry Bulb Temperature
- C. EWT = Entering Water Temperature
- D. GPM = US Gallons Per Minute
- E. MBH = BTU X 1000
- F. SC = Sensible Cooling
- G. TC = Total Cooling = Sensible + Latent
- H. WB = Wet Bulb Temperature
- I. WPD = Water Pressure Drop in feet of head
- J. dB = Decibel Level
- K. m = Meter
- L. In = Inches
- M. FPI = Fins per Inch
- N. OD = Outside Diameter
- O. ID = Inside Diameter
- P. MCA = Minimum Circuit Amps
- Q. MOP = Maximum Over current Protection
- R. LBS = Pounds U.S.

5.02 Measurements

- A. All measurements with regard to length, width, and height shall be in inches.



MHWX-09-H-1 Product Specifications & Capacity

Physical Data									
Model Number	Height (in)	Length (in)	Depth (in)	Weight (lbs)	Cooling Rows FPI	Copper Diameter (in)	Liquid Line (in)	Suction Line (in)	Drain (in)
MHWX-09-H-1	11.70	34.60	7.10	20.00	2-20	3/8	1/4	3/8	1/2

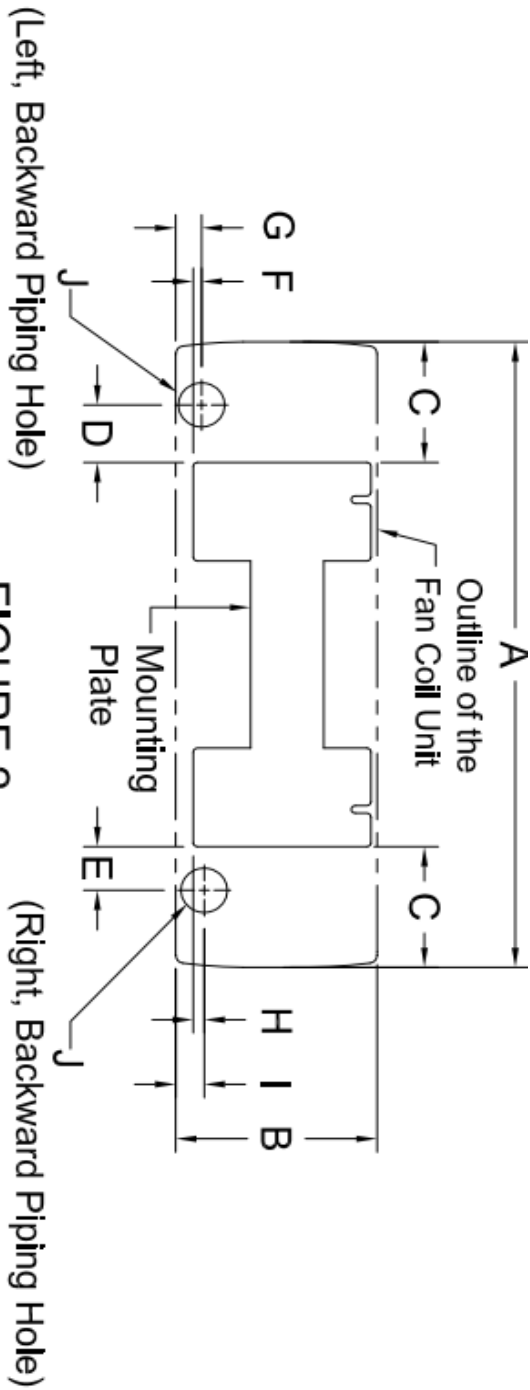
Electrical Data						
Model Number	High Speed CFM	Volts/Phase/Hertz	Fan Motor HP	Fan Motor Full Load Ampacity	Fuse or HACR Circuit Breaker Per Circuit	
					MCA	MOP
MHWX-09-H-1	270	208/230-1-50/60	1/50	0.19	0.27	5

Performance Data		
Model Number	CFM	Nominal Cooling Capacity
MHWX-09-H-1	270	9,000

MHWX-09-H-1 Sound Data

MODEL #	MHWX-09-H-1
Fan Speed	dB @ 1 m
H	34
M	33
L	32

MHWX-09-H-1 Dimensional Drawing



MODEL	A	B	C	D	E	F	G	H	I	J
MHWX-09-H-1	34.6	11.7	7.5	3.5	2.7	0.8	1.4	1.0	1.6	Ø2.76
MHWX-12-H-1	39.0	12.0	7.5	3.6	2.7	0.9	1.8	1.1	2.0	Ø2.76

Dimensions are in Inches.