

WALL MOUNT - INDOOR UNIT

MODEL OF AIRCONDITIONER

MHWX-18-C-1

PARTS LIST



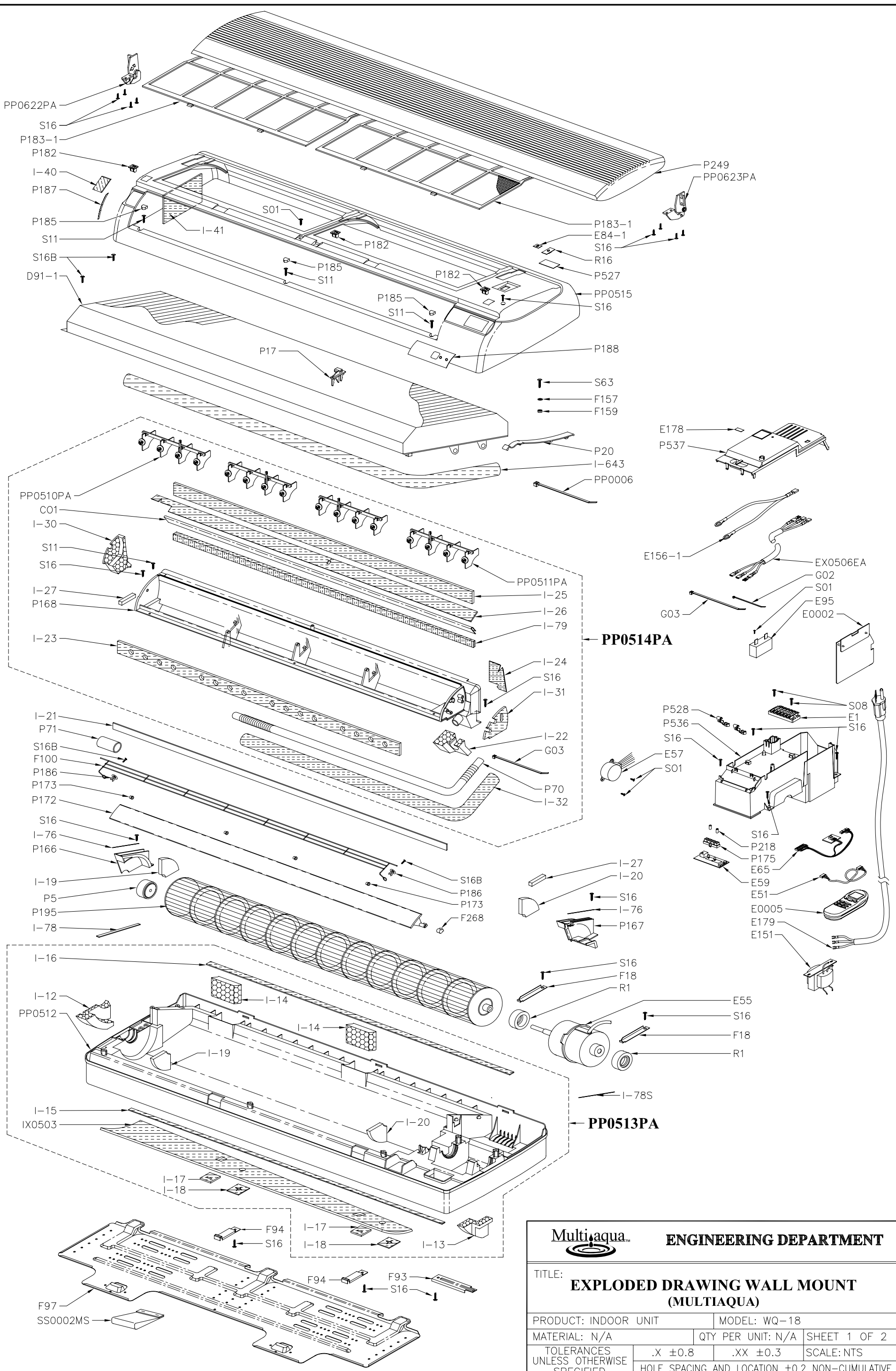
MULTIAQUA, INC.

2701 S.W. 145 AVENUE, SUITE #220

MIRAMAR, FLORIDA 33027 U.S.A.

Tel: (954) 431-1300 • Fax: (954) 431-1303 • email: support@multiaqua.com

www.multiaqua.com



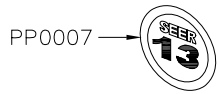
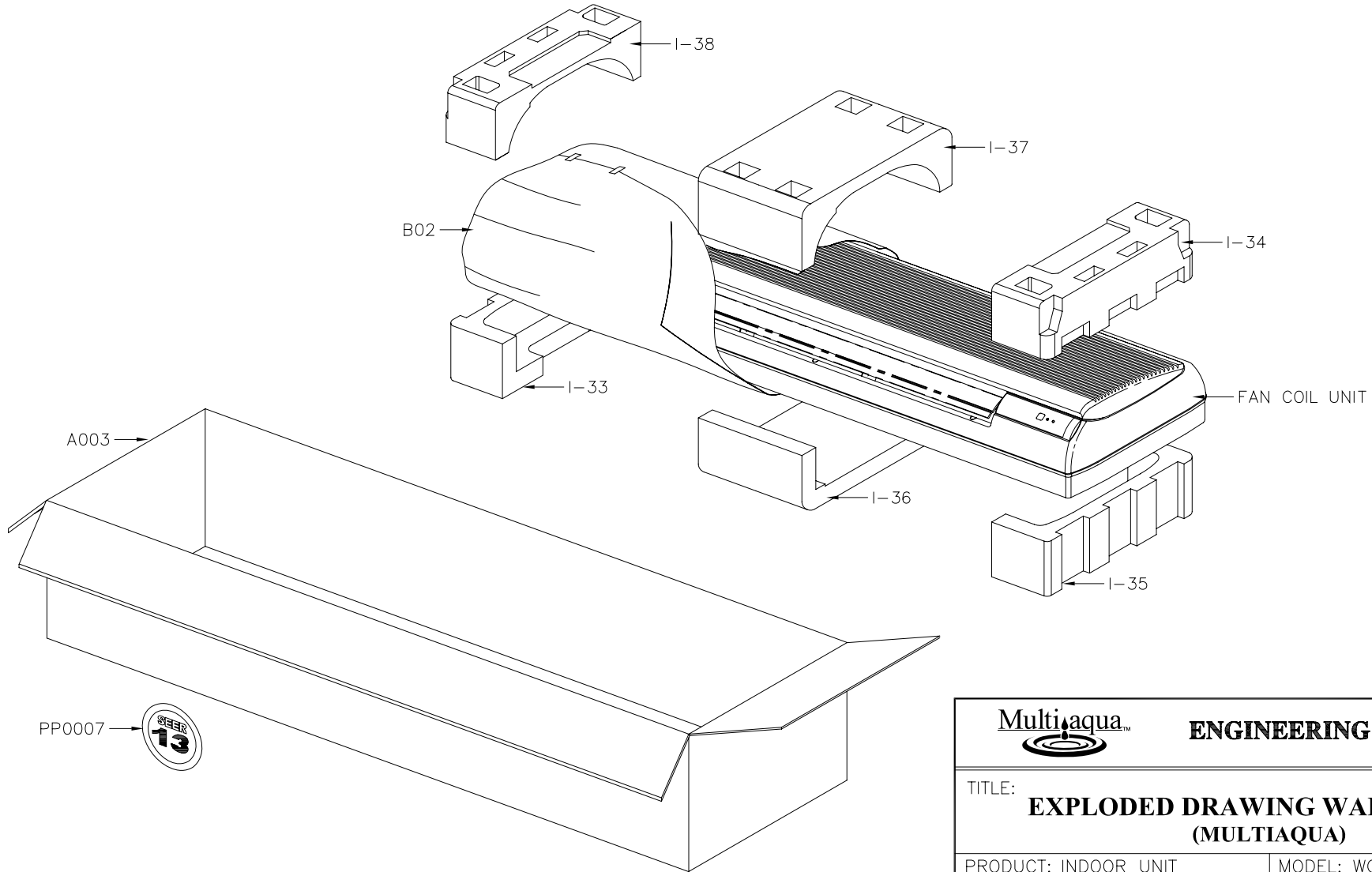
THIS DRAWING SHALL NOT BE COPIED WITHOUT A PRIOR WRITTEN PERMISSION FROM THIS COMPANY.

MultiAqua ENGINEERING DEPARTMENT

TITLE: EXPLODED DRAWING WALL MOUNT (MULTIAQUA)			
PRODUCT: INDOOR UNIT		MODEL: WQ-18	
MATERIAL: N/A		QTY PER UNIT: N/A	SHEET 1 OF 2
TOLERANCES UNLESS OTHERWISE SPECIFIED		.X ±0.8	.XX ±0.3
HOLE SPACING AND LOCATION ±0.2 NON-CUMULATIVE			
DRWN: TH.ACH	DATE: 14SEP06	FN: EXPWQ18C_MUL	
CHKD: R.M.A.	DATE: 14SEP06	DWNG NO.: WQ06026B	
APPD: F.S.R.	DATE: 14SEP06	PART NO.: N/A	

NO.	REVISION	DATE	REV BY	CHK BY	APPD BY

THIS DRAWING SHALL NOT BE COPIED WITHOUT A PRIOR WRITTEN PERMISSION FROM THIS COMPANY.



ENGINEERING DEPARTMENT

TITLE: **EXPLODED DRAWING WALL MOUNT (MULTIAQUA)**

PRODUCT: INDOOR UNIT		MODEL: WQ-18	
MATERIAL: N/A		QTY PER UNIT: N/A	SHEET 2 OF 2
TOLERANCES UNLESS OTHERWISE SPECIFIED	.X ±0.8	.XX ±0.3	SCALE: NTS
	HOLE SPACING AND LOCATION ±0.2 NON-CUMULATIVE		
DRWN: TH.ACH	DATE: 14SEP06	FN: EXPWQ18C_MUL	
CHKD: R.M.A.	DATE: 14SEP06	DWNG NO.: WQ06026A	
APPD: F.S.R.	DATE: 14SEP06	PART NO.: N/A	

NO.	REVISION	DATE	REV BY	CHK BY	APPD BY

MHWX-18-C-1 PARTLIST

SEQ. NO.	PART NO. AIRCON	DESCRIPTION	UM	QTY
1	A003	CARTON BOX MULTIAQUA WQ-18/24	PCS	1
2	B02	AIR BUBBLE (WQ-18/24) (RoHS)	PCS	1
3	D91-1	COIL WQ-18 : Ø 3/8" x 10H x 900 MM x 2R x 2C x 18 FPI x SLIT FIN x GROOVE x LIQ. FLARE 3/8" x SUCT. FLARE 5/8"	SET	1
4	E1	TERMINAL BLOCK T3009-3-B1(6P)	PCS	1
5	E51	WIRE HARNESS FOR IR RECEIVER MICONTECH	PCS	1
6	E55	MOTOR 35W YDK-35L-4 SPEED ME - LO - SL	PCS	1
7	E57	STEP MOTOR MODEL ST-35 130 OHM	PCS	1
8	E59	LAMP BOARD WQ 24 MICONTECH	PCS	1
9	E65	AUXILIARY SWITCH W/WIRE HARNESS MICONTECH	PCS	1
10	E84-1	STICKER ON/OFF (RoHS)	PCS	1
11	E95	CAPACITOR 2.5 UFD	PCS	1
12	E151	TRANSFORMER 24V (PB-0486) (RoHS)	PCS	1
13	E156-1	GROUND WIRE (GREEN/YELLOW) 16 AWG UL 1015	SET	1
14	E178	CONTROLER FUSE STICKER	PCS	1
15	E179	POWER SUPPLY CORD	PCS	1
16	E0002	MAIN PCB MICONTECH COOL W/O COMP ABNORMAL MCT - AC - 559 (SSPJL103B)	PCS	1
17	E0005	REMOTE HANDSET EPSILON W/ LOGO MULTIAQUA COOL	PCS	1
18	EX0506EA	WIRE HARNESS (RED+WHITE+BLUE) x AWG.16 WIRE x 15" LONG	SET	1
19	F18	BRACKET MOTOR WQ12/18/24 (RoHS)	PCS	2
20	F93	PIPING CLAMP # 1	PCS	1
21	F94	PIPING CLAMP # 2	PCS	2
22	F97	BRACKET UNIT MOUNT WQ/WN 24	PCS	1
23	F100	WIRE GUARD 18/24 (RoHS)	PCS	1
24	F157	STAR WASHER (RoHS)	PCS	3
25	F159	BRASS NUT M4 x 0.07 (Yellow) (RoHS)	PCS	2
26	F268	METAL SLEEVE FOR LOUVER WQ-24	PCS	1
27	G02	TIE WIRE SMALL 4"	PCS	3
28	G03	TIE WIRE LG 8"x 3.4	PCS	1
29	I-19	INSUL BLOWER LEFT (PT 504) WQ/WN/WJ-18/24/30	PCS	1
30	I-20	INSUL BLOWER RIGHT (PT 505) WQ/WN/WJ-18/24/30	PCS	1
31	I-21	INSUL DRAIN PAN STRIP (PT 516) WQ/WN/WJ-18	PCS	1
32	I-27	INSUL AIR OUTLET (PT 513) WQ/WN/WJ-18/24/30	PCS	1
33	I-33	FOAM PACKING BOTTOM - LH (039) WQ/WN/WJ-18/24/30	PCS	1

MHWX-18-C-1 PARTLIST

SEQ. NO.	PART NO. AIRCON	DESCRIPTION	UM	QTY
34	I-34	FOAM PACKING TOP - RH (034) WQ/WN/WJ-18/24/30	PCS	1
35	I-35	FOAM PACKING BOTTOM RH (035) WQ/WN/WJ-18/24/30	PCS	1
36	I-36	FOAM PACKING BOTTOM MIDDLE (037) WQ/WN/WJ-18/24/30	PCS	1
37	I-37	FOAM PACKING TOP MIDDLE (036) WQ/WN/WJ-18/24/30	PCS	1
38	I-38	FOAM PACKING TOP LH (038) WQ/WN/WJ-18/24/30	PCS	1
39	I-40	INSUL FRAME FRONT - LH (PT 511) WQ/WN/WJ-18/24/30/36/42	PCS	1
40	I-41	INSUL FRAME SIDE (PT 512) WQ/WN/WJ-18/24/30	PCS	1
41	I-76	INSUL EVAP SUPPORT B/L RH WQ/WN/WJ-09/12S/12/18S/18/24/30	PCS	2
42	I-78	INSUL FOR EVAP SUPPORT TOP - L WQ/WN/WJ-18/24/30	PCS	1
43	I-78S	INSUL FOR EVAP SUPPORT TOP - R WQ/WN/WJ-18/24/30	PCS	1
44	I-643	INSUL TUBE 25mmIDx5mmTHK x1150mmL	PCS	1
45	P5	NYLON PIVOT W/RUBBER WQ09-WQ42	PCS	1
46	P17	SENSOR HOLDER	PCS	1
47	P20	STRAP EVAP	PCS	1
48	P71	CONNECTOR DRAIN HOSE	PCS	1
49	P166	EVAP SUPPORT LH	PCS	1
50	P167	EVAP SUPPORT RH	PCS	1
51	P172	HORIZONTAL LOUVER WQ-18/24	PCS	1
52	P173	BUSHING	PCS	4
53	P175	LIGHT COVER	PCS	1
54	P182	LOCK	PCS	3
55	P183-1	AIR FILTER WQ-24 ANTI BACTERIA	PCS	2
56	P185	SCREW COVER	PCS	3
57	P186	PLASTIC SCREW RIVET	PCS	2
58	P187	LOUVER STICKER	PCS	1
59	P188	DISPLAY MEMBRANE WQ-18/24/30	PCS	1
60	P195	CROSS FLOW FAN Ø 102 x 900 MM	PCS	1
61	P218	LAMP SLEEVE	PCS	2
62	P249	DECO PANEL WQ-18/24 SCREEN MULTIAQUA	PCS	1
63	P527	WARNING LABEL	PCS	1
64	P528	WIRE CLAMP	PCS	2
65	P536	CONTROL BOX WQ-24/30/36 (FIRE RTD)	PCS	1
66	P537	CONTROL BOX COVER WQ-24/30/36, (FIRE RTD)	PCS	1
67	PP0006	TIE WIRE 8" (COIL)	PCS	1

MHWX-18-C-1 PARTLIST

SEQ. NO.	PART NO.	DESCRIPTION	UM	QTY
	AIRCON			
68	PP0007	13 SEER STICKER FOR MULTIAQUA CARTON BOX	PCS	5
69	PP0515	FRAME GRILL 18/24/30 (FINISHED)	PCS	1
70	PP0513PA	BASE PAN ASY 18/24/30	SET	1
70.1	PP0512	BASE PAN 18/24/30 (FINISHED)	PCS	1
70.2	IX0503	INSUL BACK (PT 502) WQ/WN/WJ-18/24/30	PCS	1
70.3	I-12	FOAM INSUL BACK LH (033) WQ/WN/WJ-18/24/30	PCS	1
70.4	I-13	FOAM INSUL BACK RH (032) WQ/WN/WJ-18/24/30	PCS	1
70.5	I-14	FOAM INSUL SEAL BLOCK WQ/WN/WJ-18/24/30/36/42	PCS	2
70.6	I-15	INSUL BASE PAN RAIL (PT 506) WQ/WN/WJ-18/24/30	PCS	1
70.7	I-16	INSUL BASE PAN TOP (PT 507) WQ/WN/WJ-18/24/30	PCS	1
70.8	I-17	INSUL BACK SEAL # 1 (PT 514) WQ/WN/WJ-09/12S/12/18S/18/24/30/36/42	PCS	2
70.9	I-18	INSUL BACK SEAL # 2 (PT 515) WQ/WN/WJ-09/12S/12/18S/18/24/30/36/42	PCS	2
70.10	I-19	INSUL BLOWER LEFT (PT 504) WQ/WN/WJ-18/24/30	PCS	1
70.11	I-20	INSUL BLOWER RIGHT (PT 505) WQ/WN/WJ-18/24/30	PCS	1
71	PP0514PA	DRAIN PAN ASY 18/24/30	SET	1
71.1	P168	DRAIN PAN	PCS	1
71.2	C01	GRAY CLOTH WITH RUBBER WN/WJ/WQ18/24/30	PCS	1
71.3	G03	TIE WIRE LG 8"x 3.4	PCS	1
71.4	I-22	FOAM INSUL INSERT DRAIN PAN-R (029) WQ/WN/WJ-18/24/30	PCS	1
71.5	I-23	INSUL DEFLECTOR (PT 503) WQ/WN/WJ-18/24/30	PCS	1
71.6	I-24	INSUL DRAIN SIDE (PT 508) WQ/WN/WJ-18/24/30	PCS	1
71.7	I-25	INSUL DRAIN PAN TOP - 1 (PT 510) WQ/WN/WJ-18/24/30	PCS	1
71.8	I-26	INSUL DRAIN PAN STRIP (PT 509) WQ/WN/WJ-18/24/30	PCS	1
71.9	I-27	INSUL AIR OUTLET (PT 513) WQ/WN/WJ-18/24/30	PCS	1
71.10	I-30	FOAM INSUL DRAIN PAN LH (028) WQ/WN/WJ-18/24/30	PCS	1
71.11	I-31	INSUL DRAIN RH (PT 501) WQ/WN/WJ-18/24/30	PCS	1
71.12	I-32	INSUL DRAIN HOSE WQ/WN/WJ-18/24/30/36/42	PCS	1
71.13	I-79	INSUL DRAIN PAN INSIDE - FRONT WQ/WN/WJ-18/24/30	PCS	1
71.14	P70	DRAIN HOSE FOR WQ18/24/30/36/42	PCS	1
71.15	PP0510PA	DEFLECTOR ASY - LH 18/24/30	SET	2
71.16	PP0511PA	DEFLECTOR ASY - RH 18/24/30	SET	2
72	PP0622PA	HINGE ASY - LH WQ-SERIES	SET	1
73	PP0623PA	HINGE ASY - RH WQ-SERIES	SET	1
74	R1	RUBBER MOTOR WL/WSR/WQ/WN/WJ	PCS	2

MHWX-18-C-1 PARTLIST

SEQ.	PART NO.	DESCRIPTION	UM	QTY
NO.	AIRCON			
75	R16	RUBBER CAP WQ-18-30	PCS	1
76	S01	SCREW 4X10 MM	PCS	6
77	S08	SCREW 6X3/4" MM	PCS	2
78	S11	SCREW 8X3/4" MM	PCS	4
79	S16	SCREW 4X12 MM	PCS	15
80	S16B	SCREW 4X12 MM	PCS	4
81	S34	SCREW 8X1/2" MM	PCS	4
82	S63	SCREW 4X12 MM (FINE TRHEAD, BRASS)	PCS	1
83	SS0002MS	SCREW SET FOR 18/24/30	SET	1