

WALL MOUNT - INDOOR UNIT

MODEL OF AIRCONDITIONER

MHWX-24-C-1

PARTS LIST

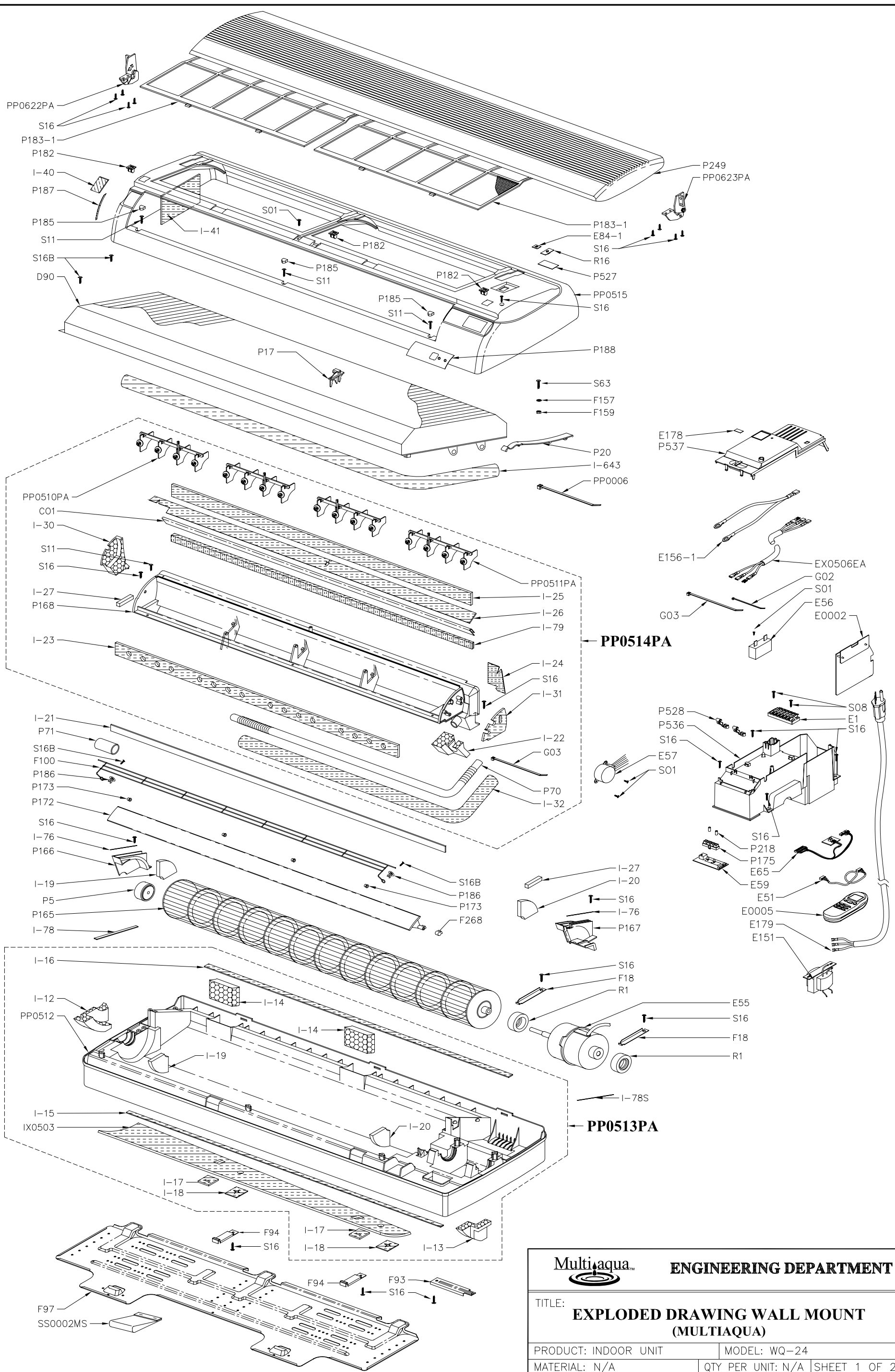


MULTIAQUA, INC.

2701 S.W. 145 AVENUE, SUITE #220
MIRAMAR, FLORIDA 33027 U.S.A.

Tel: (954) 431-1300 • Fax: (954) 431-1303 • email: support@multiaqua.com

www.multiaqua.com



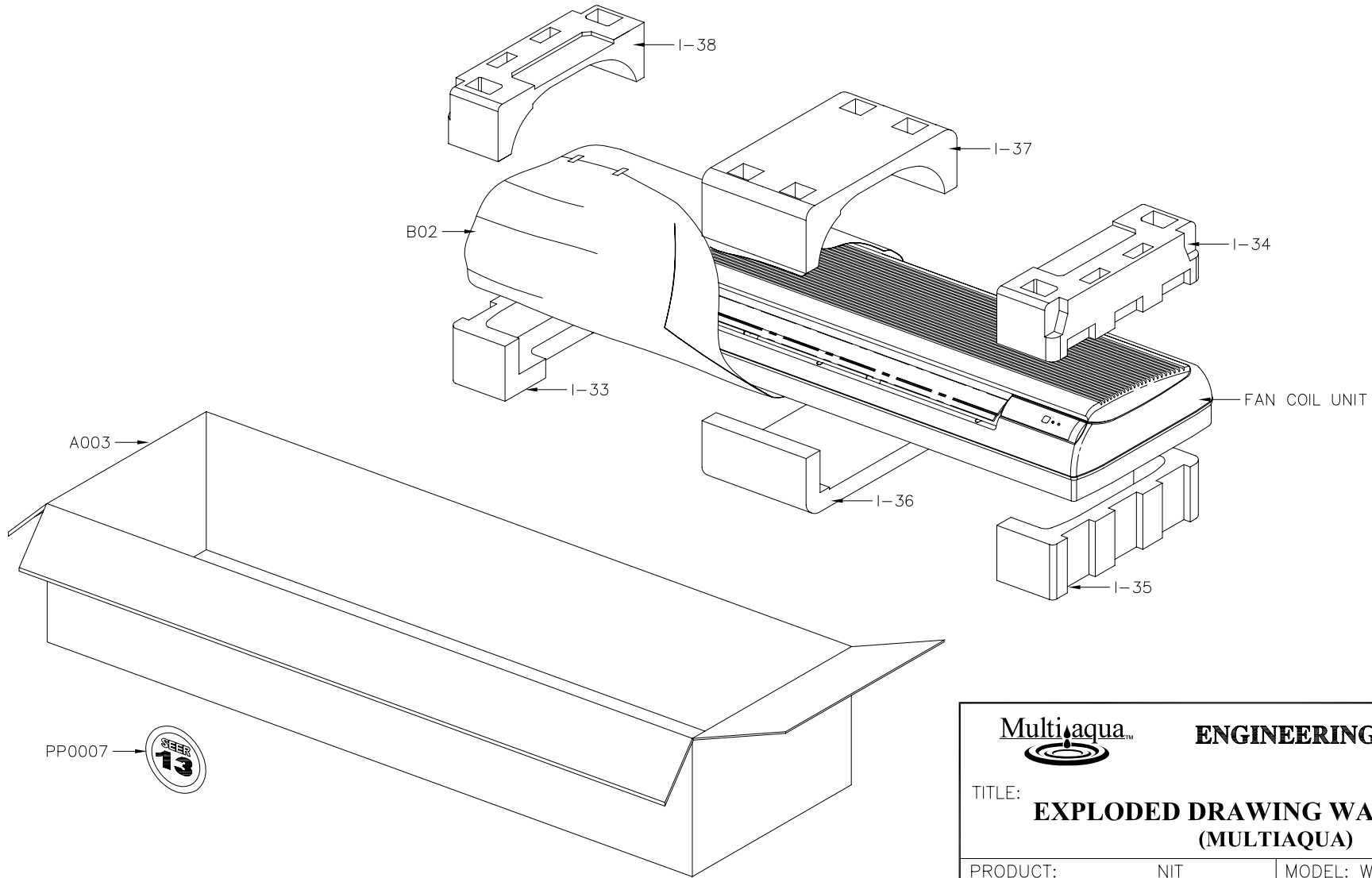
THIS DRAWING SHALL NOT BE COPIED WITHOUT A PRIOR WRITTEN PERMISSION FROM THIS COMPANY.

Multi aqua ENGINEERING DEPARTMENT

TITLE: EXPLODED DRAWING WALL MOUNT (MULTIAQUA)		
PRODUCT: INDOOR UNIT	MODEL: WQ-24	
MATERIAL: N/A	QTY PER UNIT: N/A	SHEET 1 OF 2
TOLERANCES UNLESS OTHERWISE SPECIFIED	.X ±0.8	.XX ±0.3
	SCALE: NTS	
DRWN: R.M.A.	DATE: 25JAN06	FN: EXPWQ24C_MUL
CHKD: W.J.	DATE: 25JAN06	DWNG NO.: WQ06007B
APPD: F.S.R.	DATE: 25JAN06	PART NO.: N/A

B	PARTS NO. WERE CHANGE AS PER BOM ISSUED ON 31OCT06	01NOV06	R.M.A	R.M.A.	F.S.R.
A	PARTS NO. WERE CHANGE AS PER BOM ISSUED ON 22MAR06	04JUL06	TH.ACH	D.P.A.	F.S.R.
NO.	REVISION	DATE	REV BY	CHK BY	APPD BY

THIS DRAWING SHALL NOT BE COPIED WITHOUT A PRIOR WRITTEN PERMISSION FROM THIS COMPANY.



ENGINEERING DEPARTMENT

TITLE:

**EXPLODED DRAWING WALL MOUNT
(MULTIAQUA)**

PRODUCT:	NIT	MODEL:	WQ-24
MATERIAL:	N/A	QTY PER UNIT:	N/A
TOLERANCES UNLESS OTHERWISE SPECIFIED	.XX ±0.3		SHEET 2 OF 2
HOLE SPACING AND LOCATION			±0.2 NON-CUMULATIVE
DRWN:	R.M.A.	DATE:	25JAN06
CHKD:	W.J.	FN:	EXPWQ24C_MUL
APPD:	F.S.R.	DATE:	25JAN06
		DWNG NO.:	WQ06007A
		PART NO.:	N/A

NO.	REVISION	DATE	REV BY	CHK BY	APPD BY
B	PARTS NO. WERE CHANGE AS PER BOM ISSUED ON 31OCT06	01NOV06	R.M.A	R.M.A.	F.S.R.
A	PARTS NO. WERE CHANGE AS PER BOM ISSUED ON 22MAR06	04JUL06	TH.ACH	D.P.A.	F.S.R.

MHWX-24-C-1 PARTLIST

SEQ. NO.	PART NO.	DESCRIPTION	UM	QTY
	AIRCON			
1	A003	CARTON BOX MULTIAQUA WQ-18/24	PCS	1
2	B02	AIR BUBBLE (WQ-18/24) (RoHS)	PCS	1
3	D90	COIL WQ-24 : 3Rx2C (2in,4out) x 3/8" Ø x GROOVE x 17FPI x COATED PLAIN FIN x LIQ. FLARE Ø 3/8" x SUCT. FLARE Ø 5/8" (RESTICTOR # 0.061 COIL)	SET	1
4	E1	TERMINAL BLOCK T3009-3-B1(6P)	PCS	1
5	E51	WIRE HARNESS FOR IR RECEIVER MICONTECH	PCS	1
6	E55	MOTOR 35W YDK-35L-4 SPEED ME - LO - SL	PCS	1
7	E56	CAPACITOR 3.0 MFD	PC	1
8	E57	STEP MOTOR MODEL ST-35 130 OHM	PCS	1
9	E59	LAMP BOARD WQ 24 MICONTECH	PCS	1
10	E65	AUXILIARY SWITCH W/WIRE HARNESS MICONTECH	PCS	1
11	E84-1	STICKER ON/OFF (RoHS)	PCS	1
12	E151	TRANSFORMER 24V (PB-0486) (RoHS)	PCS	1
13	E156-1	GROUND WIRE (GREEN/YELLOW) 16 AWG UL 1015	SET	1
14	E178	CONTROLER FUSE STICKER	PCS	1
15	E179	POWER SUPPLY CORD	PCS	1
16	E0002	MAIN PCB MICONTECH COOL W/O COMP ABNORMAL MCT - AC - 559 (SSPJL103B)	PCS	1
17	E0005	REMOTE HANDSET EPSILON W/ LOGO MULTIAQUA COOL	PCS	1
18	EX0506EA	WIRE HARNESS (RED+WHITE+BLUE) x AWG.16 WIRE x 15" LONG	SET	1
19	F18	BRACKET MOTOR WQ12/18/24 (RoHS)	PCS	2
20	F93	PIPING CLAMP # 1	PCS	1
21	F94	PIPING CLAMP # 2	PCS	2
22	F97	BRACKET UNIT MOUNT WQ/WN 24	PCS	1
23	F100	WIRE GUARD 18/24 (RoHS)	PCS	1
24	F157	STAR WASHER (RoHS)	PCS	3
25	F159	BRASS NUT M4 x 0.07 (Yellow) (RoHS)	PCS	2
26	F268	METAL SLEEVE FOR LOUVER WQ-24	PCS	1
27	G02	TIE WIRE SMALL 4"	PCS	3
28	G03	TIE WIRE LG 8"x 3.4	PCS	1
29	I-19	INSUL BLOWER LEFT (PT 504) WQ/WN/WJ-18/24/30	PCS	1
30	I-20	INSUL BLOWER RIGHT (PT 505) WQ/WN/WJ-18/24/30	PCS	1
31	I-33	FOAM PACKING BOTTOM - LH (039) WQ/WN/WJ-18/24/30	PCS	1
32	I-34	FOAM PACKING TOP - RH (034) WQ/WN/WJ-18/24/30	PCS	1
33	I-35	FOAM PACKING BOTTOM RH (035) WQ/WN/WJ-18/24/30	PCS	1

MHWX-24-C-1 PARTLIST

SEQ. NO.	PART NO.	DESCRIPTION	UM	QTY
	AIRCON			
34	I-36	FOAM PACKING BOTTOM MIDDLE (037) WQ/WN/WJ-18/24/30	PCS	1
35	I-37	FOAM PACKING TOP MIDDLE (036) WQ/WN/WJ-18/24/30	PCS	1
36	I-38	FOAM PACKING TOP LH (038) WQ/WN/WJ-18/24/30	PCS	1
37	I-40	INSUL FRAME FRONT - LH (PT 511) WQ/WN/WJ-18/24/30/36/42	PCS	1
38	I-41	INSUL FRAME SIDE (PT 512) WQ/WN/WJ-18/24/30	PCS	1
39	I-76	INSUL EVAP SUPPORT B/L RH WQ/WN/WJ-09/12S/12/18S/18/24/30	PCS	2
40	I-78	INSUL FOR EVAP SUPPORT TOP - L WQ/WN/WJ-18/24/30	PCS	1
41	I-78S	INSUL FOR EVAP SUPPORT TOP - R WQ/WN/WJ-18/24/30	PCS	1
42	I-643	INSUL TUBE 25mmIDx5mmTHK x1150mmL	PCS	1
43	P5	NYLON PIVOT W/RUBBER WQ09-WQ42	PCS	1
44	P17	SENSOR HOLDER	PCS	1
45	P20	STRAP EVAP	PCS	1
46	P71	CONNECTOR DRAIN HOSE	PCS	1
47	P165	CROSS FLOW FAN Ø 105 x 900 MM	PC	1
48	P166	EVAP SUPPORT LH	PCS	1
49	P167	EVAP SUPPORT RH	PCS	1
50	P172	HORIZONTAL LOUVER WQ-18/24	PCS	1
51	P173	BUSHING	PCS	4
52	P175	LIGHT COVER	PCS	1
53	P182	LOCK	PCS	3
54	P183-1	AIR FILTER WQ-24 ANTI BACTERIA	PCS	2
55	P185	SCREW COVER	PCS	3
56	P186	PLASTIC SCREW RIVET	PCS	2
57	P187	LOUVER STICKER	PCS	1
58	P188	DISPLAY MEMBRANE WQ-18/24/30	PCS	1
59	P218	LAMP SLEEVE	PCS	2
60	P249	DECO PANEL WQ-18/24 SCREEN MULTIAQUA	PCS	1
61	P527	WARNING LABEL	PCS	1
62	P528	WIRE CLAMP	PCS	2
63	P536	CONTROL BOX WQ-24/30/36 (FIRE RTD)	PCS	1
64	P537	CONTROL BOX COVER WQ-24/30/36, (FIRE RTD)	PCS	1
65	PP0006	TIE WIRE 8" (COIL)	PCS	1
66	PP0007	13 SEER STICKER FOR MULTIAQUA CARTON BOX	PCS	5
67	PP0515	FRAME GRILLE 18/24/30 (FINISHED)	PCS	1

MHWX-24-C-1 PARTLIST

SEQ. NO.	PART NO.	DESCRIPTION	UM	QTY
	AIRCON			
68	PP0513PA	BASE PAN ASY 18/24/30	SET	1
70.1	PP0512	BASE PAN 18/24/30 (FINISHED)	PCS	1
70.2	IX0503	INSUL BACK (PT 502) WQ/WN/WJ-18/24/30	PCS	1
70.3	I-12	FOAM INSUL BACK LH (033) WQ/WN/WJ-18/24/30	PCS	1
70.4	I-13	FOAM INSUL BACK RH (032) WQ/WN/WJ-18/24/30	PCS	1
70.5	I-14	FOAM INSUL SEAL BLOCK WQ/WN/WJ-18/24/30/36/42	PCS	2
70.6	I-15	INSUL BASE PAN RAIL (PT 506) WQ/WN/WJ-18/24/30	PCS	1
70.7	I-16	INSUL BASE PAN TOP (PT 507) WQ/WN/WJ-18/24/30	PCS	1
70.8	I-17	INSUL BACK SEAL # 1 (PT 514) WQ/WN/WJ-09/12S/12/18S/18/24/30/36/42	PCS	2
70.9	I-18	INSUL BACK SEAL # 2 (PT 515) WQ/WN/WJ-09/12S/12/18S/18/24/30/36/42	PCS	2
70.10	I-19	INSUL BLOWER LEFT (PT 504) WQ/WN/WJ-18/24/30	PCS	1
70.11	I-20	INSUL BLOWER RIGHT (PT 505) WQ/WN/WJ-18/24/30	PCS	1
69	PP0514PA	DRAIN PAN ASY 18/24/30	SET	1
71.1	P168	DRAIN PAN	PCS	1
71.2	C01	GRAY CLOTH WITH RUBBER WN/WJ/WQ18/24/30	PCS	1
71.3	G03	TIE WIRE LG 8"x 3.4	PCS	1
71.4	I-22	FOAM INSUL INSERT DRAIN PAN-R (029) WQ/WN/WJ-18/24/30	PCS	1
71.5	I-23	INSUL DEFLECTOR (PT 503) WQ/WN/WJ-18/24/30	PCS	1
71.6	I-24	INSUL DRAIN SIDE (PT 508) WQ/WN/WJ-18/24/30	PCS	1
71.7	I-25	INSUL DRAIN PAN TOP - 1 (PT 510) WQ/WN/WJ-18/24/30	PCS	1
71.8	I-26	INSUL DRAIN PAN STRIP (PT 509) WQ/WN/WJ-18/24/30	PCS	1
71.9	I-27	INSUL AIR OUTLET (PT 513) WQ/WN/WJ-18/24/30	PCS	1
71.10	I-30	FOAM INSUL DRAIN PAN LH (028) WQ/WN/WJ-18/24/30	PCS	1
71.11	I-31	INSUL DRAIN RH (PT 501) WQ/WN/WJ-18/24/30	PCS	1
71.12	I-32	INSUL DRAIN HOSE WQ/WN/WJ-18/24/30/36/42	PCS	1
71.13	I-79	INSUL DRAIN PAN INSIDE - FRONT WQ/WN/WJ-18/24/30	PCS	1
71.14	P70	DRAIN HOSE FOR WQ18/24/30/36/42	PCS	1
71.15	PP0510PA	DEFLECTOR ASY - LH 18/24/30	SET	2
71.16	PP0511PA	DEFLECTOR ASY - RH 18/24/30	SET	2
70	PP0622PA	HINGE ASY - LH WQ-SERIES	SET	1
71	PP0623PA	HINGE ASY - RH WQ-SERIES	SET	1
73	R1	RUBBER MOTOR WL/WSR/WQ/WN/WJ	PCS	2
74	R16	RUBBER CAP WQ-18-30	PCS	1
76	S01	SCREW 4X10 MM	PCS	6

MHWX-24-C-1 PARTLIST

SEQ.	PART NO.	DESCRIPTION	UM	QTY
NO.	AIRCON			
77	S08	SCREW 6X3/4" MM	PCS	2
79	S11	SCREW 8X3/4" MM	PCS	4
80	S16	SCREW 4X12 MM	PCS	15
82	S16B	SCREW 4X12 MM	PCS	4
83	S34	SCREW 8X1/2" MM	PCS	4
85	S63	SCREW 4X12 MM (FINE TRHEAD, BRASS)	PCS	1
86	SS0002MS	SCREW SET FOR 18/24/30	SET	1