

WALL MOUNT - INDOOR UNIT

**MODEL OF AIRCONDITIONER**

**MHWX-36-C-1**

**PARTS LIST**



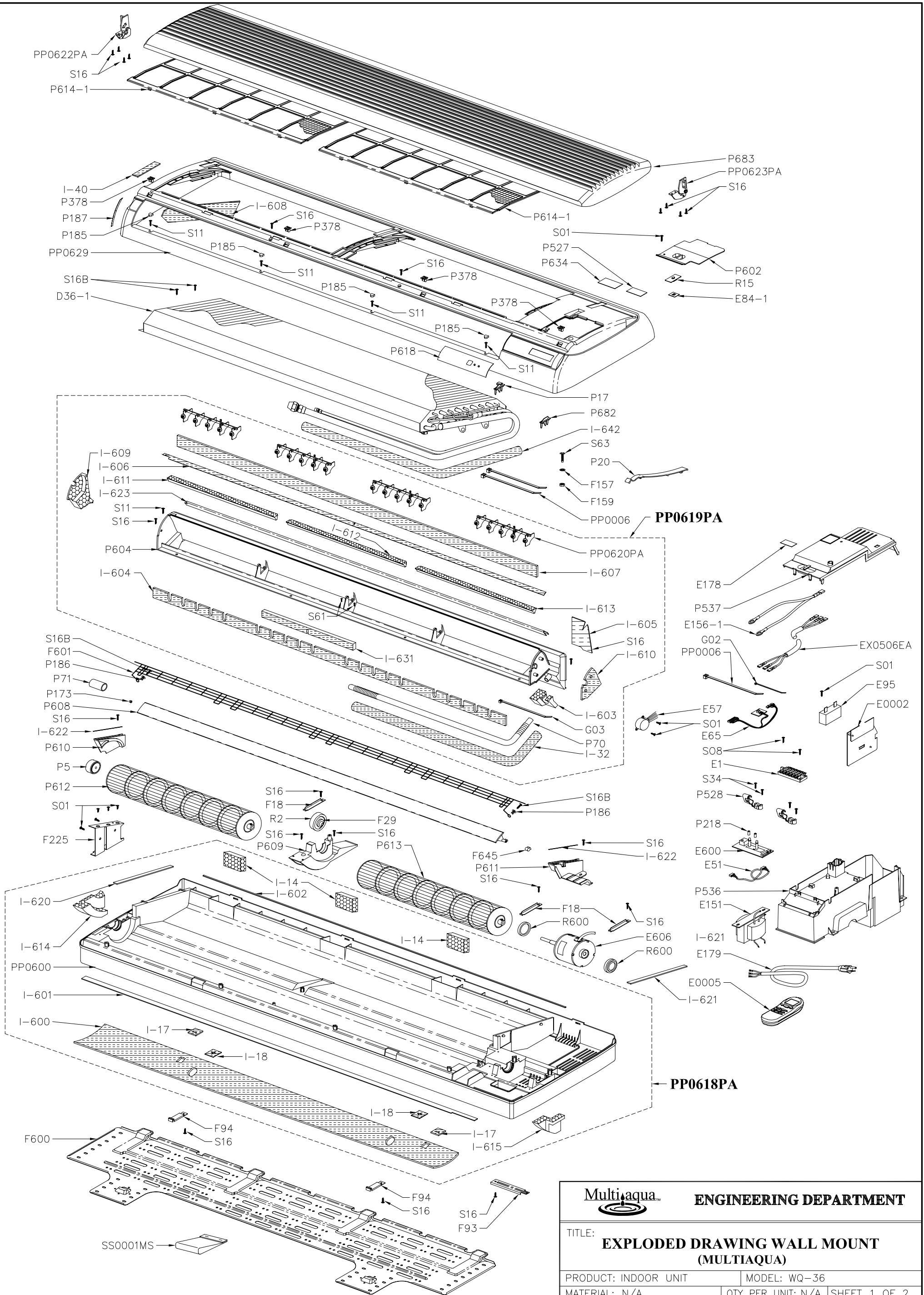
MULTIAQUA, INC.

2701 S.W. 145 AVENUE, SUITE #220  
MIRAMAR, FLORIDA 33027 U.S.A.

Tel: (954) 431-1300 • Fax: (954) 431-1303 • email: [support@multiaqua.com](mailto:support@multiaqua.com)

[www.multiaqua.com](http://www.multiaqua.com)

THIS DRAWING SHALL NOT BE COPIED WITHOUT A PRIOR WRITTEN PERMISSION FROM THIS COMPANY.



**Multiaqua ENGINEERING DEPARTMENT**

TITLE: <b>EXPLODED DRAWING WALL MOUNT (MULTIAQUA)</b>		
PRODUCT: INDOOR UNIT	MODEL: WQ-36	
MATERIAL: N/A	QTY PER UNIT: N/A	SHEET 1 OF 2
TOLERANCES UNLESS OTHERWISE SPECIFIED	.X ±0.8	.XX ±0.30
	SCALE: NTS	
DRWN: R.M.A.	DATE: 17DEC03	FN: EXPWQ36C_MUL
CHKD: W.J.	DATE: 19DEC03	DWNG NO.: WQ03100B
APPD: F.S.R.	DATE: 19DEC03	PART NO.: N/A

B	PARTS NO. WERE CHANGE AS PER BOM ISSUED ON 31OCT06	01NOV06	R.M.A	R.M.A.	F.S.R.
A	PARTS NO. WERE CHANGE AS PER BOM ISSUED ON 22MAR06	03JUL06	TH.ACH	D.P.A.	F.S.R.
NO.	REVISION	DATE	REV BY	CHK BY	APPD BY









