

MODEL OF AIRCONDITIONER

CCX

PARTS LIST



MULTIAQUA, INC.

2701 S.W. 145 AVENUE, SUITE #220

MIRAMAR, FLORIDA 33027 U.S.A.

Tel: (954) 431-1300 • Fax: (954) 431-1303 • email: support@multiaqua.com

www.multiaqua.com

FOR COOL ONLY SYSTEM

GENERAL INFORMATION

This parts list shows all the parts used in your airconditioner for model CCX.

Please file this parts list for reference and refer to it when you order parts or maintain the airconditioner.

This edition has been divided into section. Each section corresponds to one of the 3 different units making up the air condition.

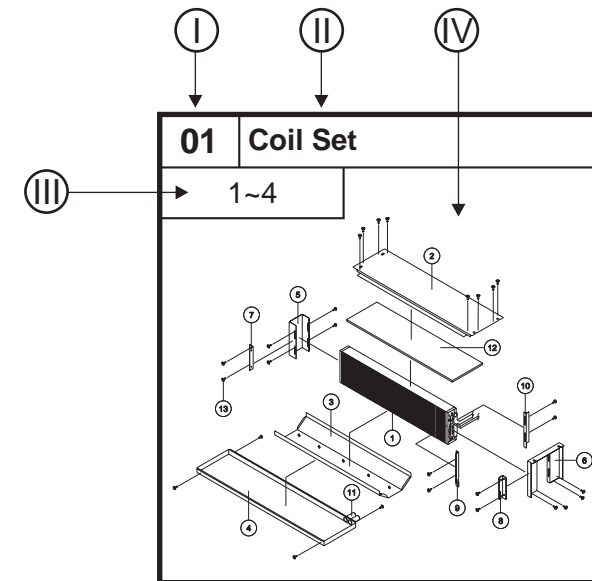
Unit No.

- 01 Coil set
- 02 Motor and blower set
- 03 Wire set

The scale used on each page of drawing is different. Please be aware that parts may seem to be different sizes on different pages.

INTRODUCTION

1. TABLE OF CONTENTS



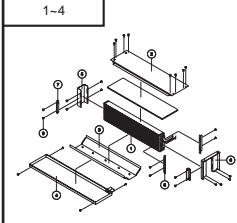
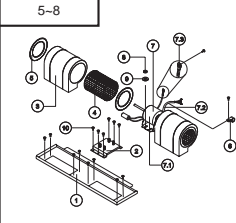
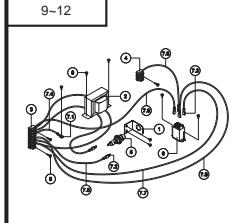
- Ⓘ Unit number
- Ⓜ Unit Name
- Ⓝ Corresponding Page Nos.
- Ⓧ Assembly drawings shown in the main text.

Specifications subject to change without notice.

ORDER INSTRUCTIONS

1. Use the drawings in the Table of Contents to find the pages on which the part in question is shown in greater

CONTENTS (1)

01	Coil Set	02	Cabinet Set	03	Motor and Blower Set
1-4		5-8		9-12	
					

This units is shown on
Page 5~8



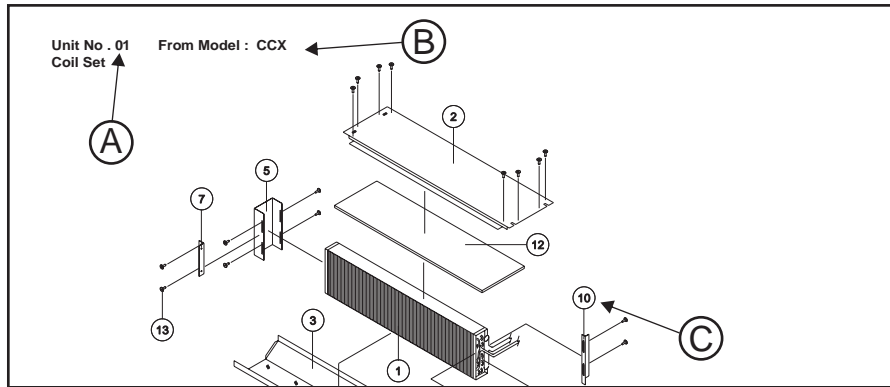
2. Spread out the referred pages.

3. Use the drawings and corresponding lists to confirm the specs, etc. Of the part in question.

4. When ordering, please supply the following information:

- (1) Machine Model
- (2) Serial number
- (3) Parts number
- (4) Parts name
- (5) Quantity

2. MAIN TEXT



Index No.	Parts No.	Parts Name	Drawing No.	Type (Marker)	Quantity						Note	
					04	06	08	10	12	16		20
1		Coil Assy										
		Coil Cool Size: 8x30x2Rx2C	DG-DC-CO-AG-04-		1							
		Coil Cool Size: 8x30x3Rx3C				1						
		Coil Cool Size: 8x30x4Rx4C					1					
		Coil Cool Size: 10x40x3Rx4C						1				
		Coil Cool Size: 10x40x3Rx4C							1			
		Coil Cool Size: 10x59.5x3Rx8C								1		

(A) Unit Number and Name

The Unit Number and Name are shown on relevant pages.

(B) Machine Model

The Model of machine corresponding to the information shown.

(C) Index Number

The Index Number for each part in a drawing is shown and corresponds to the list of parts for that drawing.

(D) Parts Number

The individual Code No for each part the Model CCX is shown.

(E) Parts Name

The Name (description) of each part.

(F) Drawing Number

The Number of drawing relevant to the part are given.

(G) Type (Maker)

The type description and manufacturer of each marketed item are shown.

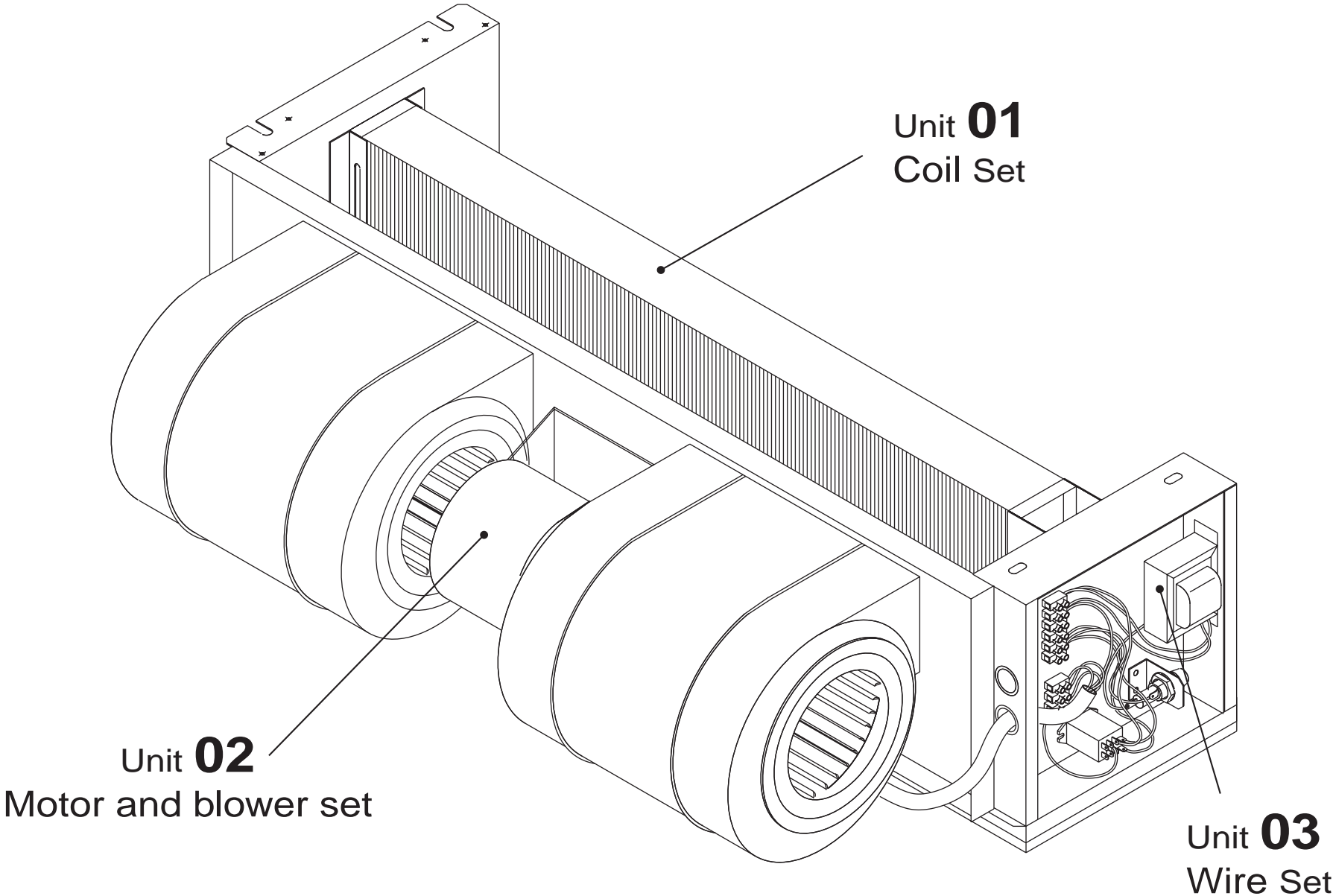
(H) Quantity

The quantity of each part used on the each capacitor.

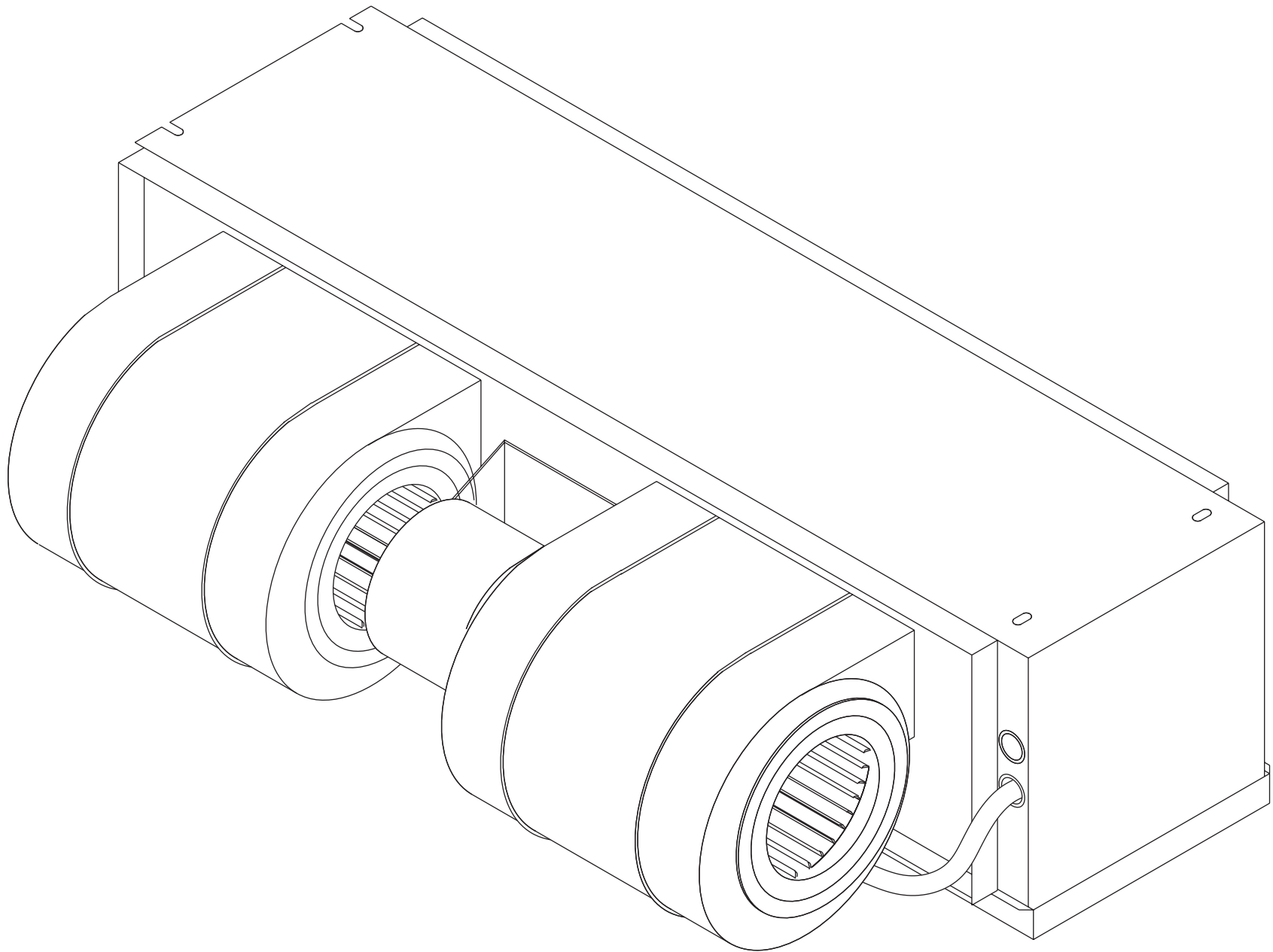
(I) Notes

Cautions and notes necessary to the ordering of each part.

MACHINE COMPONENT



MACHINE COMPONENT

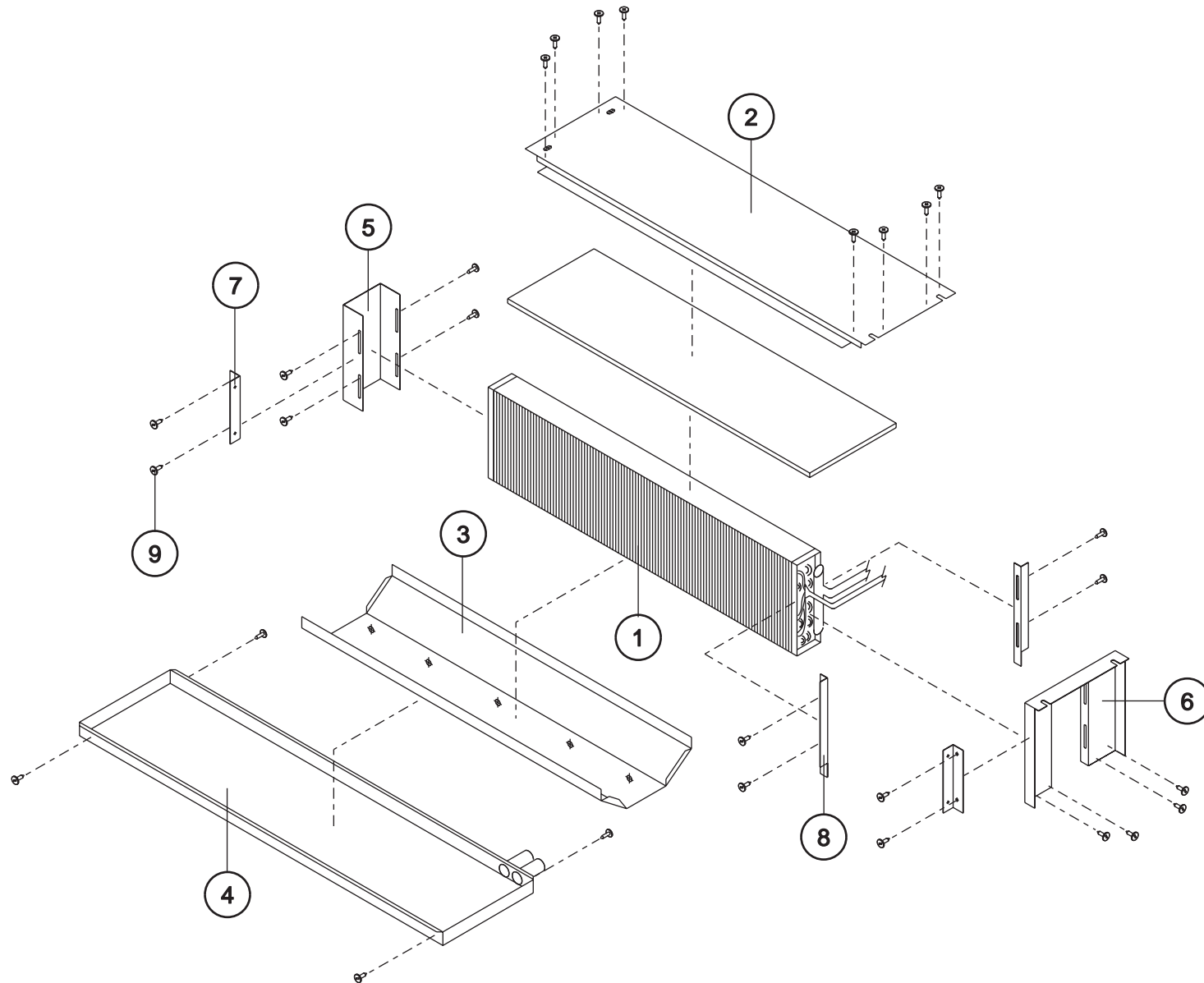


CONTENTS (1)

01	Coil Set	02	Motor and Blower Set	03	Wire Set
	1~4		5~8		9~14

Unit No . 01
Coil Set

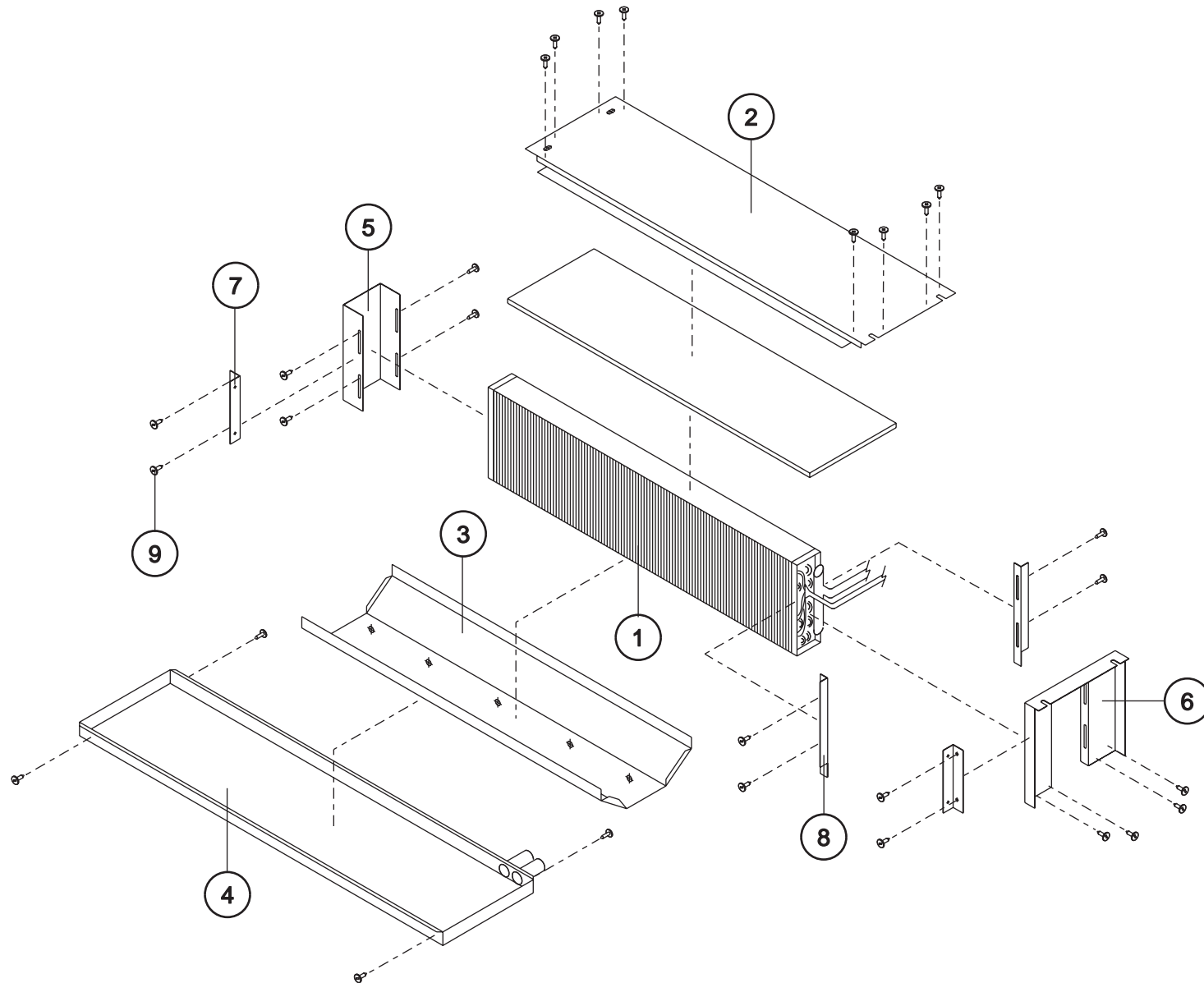
From Model : CCX



Index No .	Parts No .	Parts Name	Drawing No .	Type (Maker)	Quantity							Note	
					04	06	08	10	12	16	20		
1		Coil Assy											
	CX 0600001	Coil Cool Size:8x30x2R			1								
	CX 0600002	Coil Cool Size:8x30x3R				1							
	CX 0600003	Coil Cool Size: 8x30x4R					1						
	CX 0600004	Coil Cool Size: 10x40x3R						1					
	CX 0600005	Coil Cool Size: 10x40x3R							1				
	CX 0600006	Coil Cool Size: 12x40x3R								1			
	CX 0600007	Coil Cool Size: 12x48x3R										1	
2		Top rear panel/Insulation											
	CX 0300004	For 04/06/08			1	1	1						
	CX 0300005	For 10/12						1	1				
	CX 0300006	For 16/20								1	1		
3		Bottom Panel											
	CX 0300007	For 04/06/08			1	1	1						
	CX 0300008	For 10/12						1	1				
	CX 0300009	For 16/20								1	1		

Unit No . 01
Coil Set

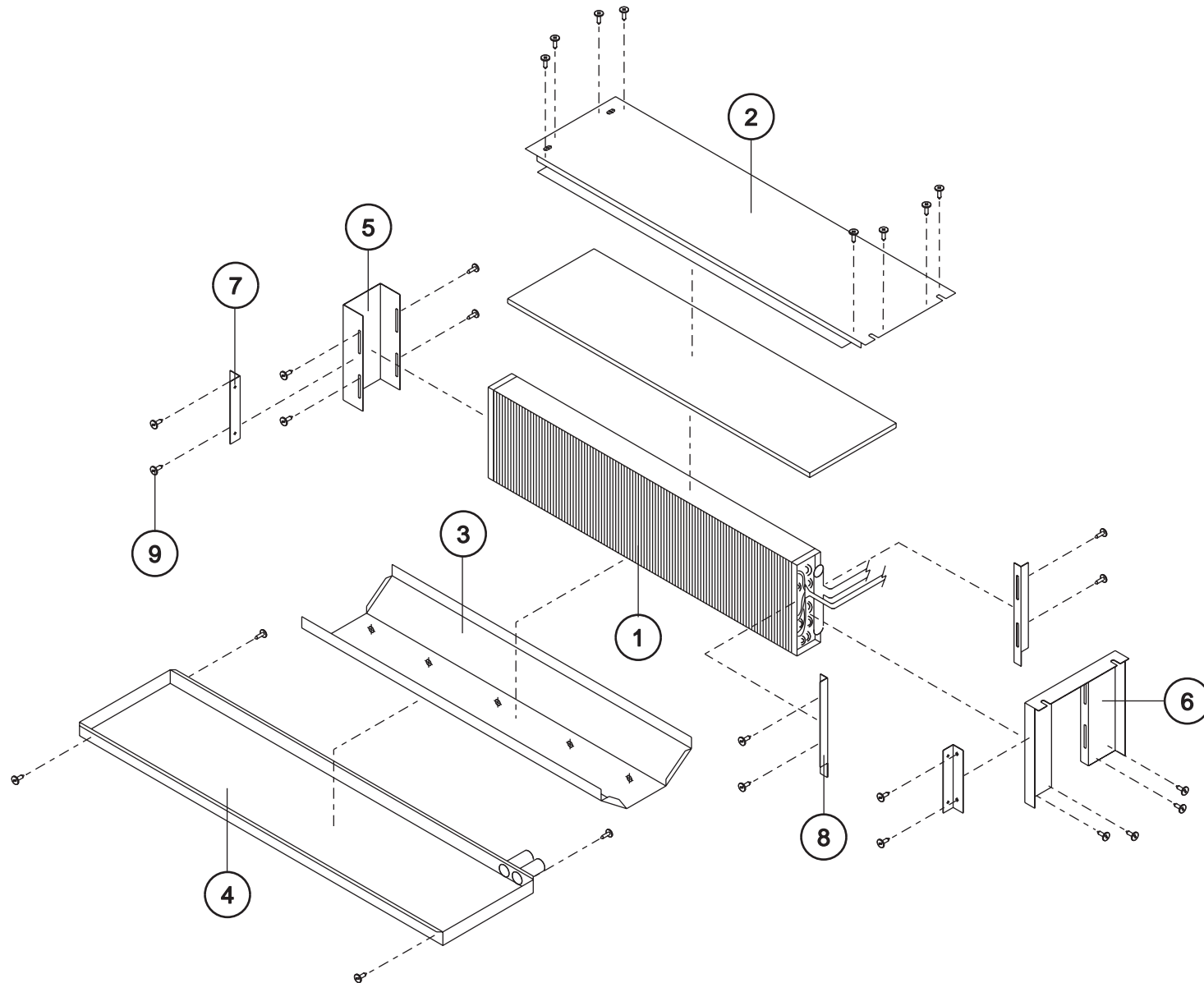
From Model : CCX



Index No .	Parts No .	Parts Name	Drawing No .	Type (Maker)	Quantity							Note	
					04	06	08	10	12	16	20		
4		Drain Pan											
	CX 0300001	For 04/06/08			1	1	1						
	CX 0300002	For 10/12						1	1				
	CX 0300003	For 16/20								1	1		
5		Support Coil LH											
	CX 0300010	For 04/06			1	1							
	CX 0300011	For 08					1						
	CX 0300012	For 10						1					
	CX 0300013	For 12							1				
	CX 0300014	For 16								1			
	CX 0300015	For 20										1	
6		Side Panel RH											
	CX 0300016	For 04/06			1	1							
	CX 0300017	For 08/10/12					1	1	1				
	CX 0300018	For 16/20								1	1		

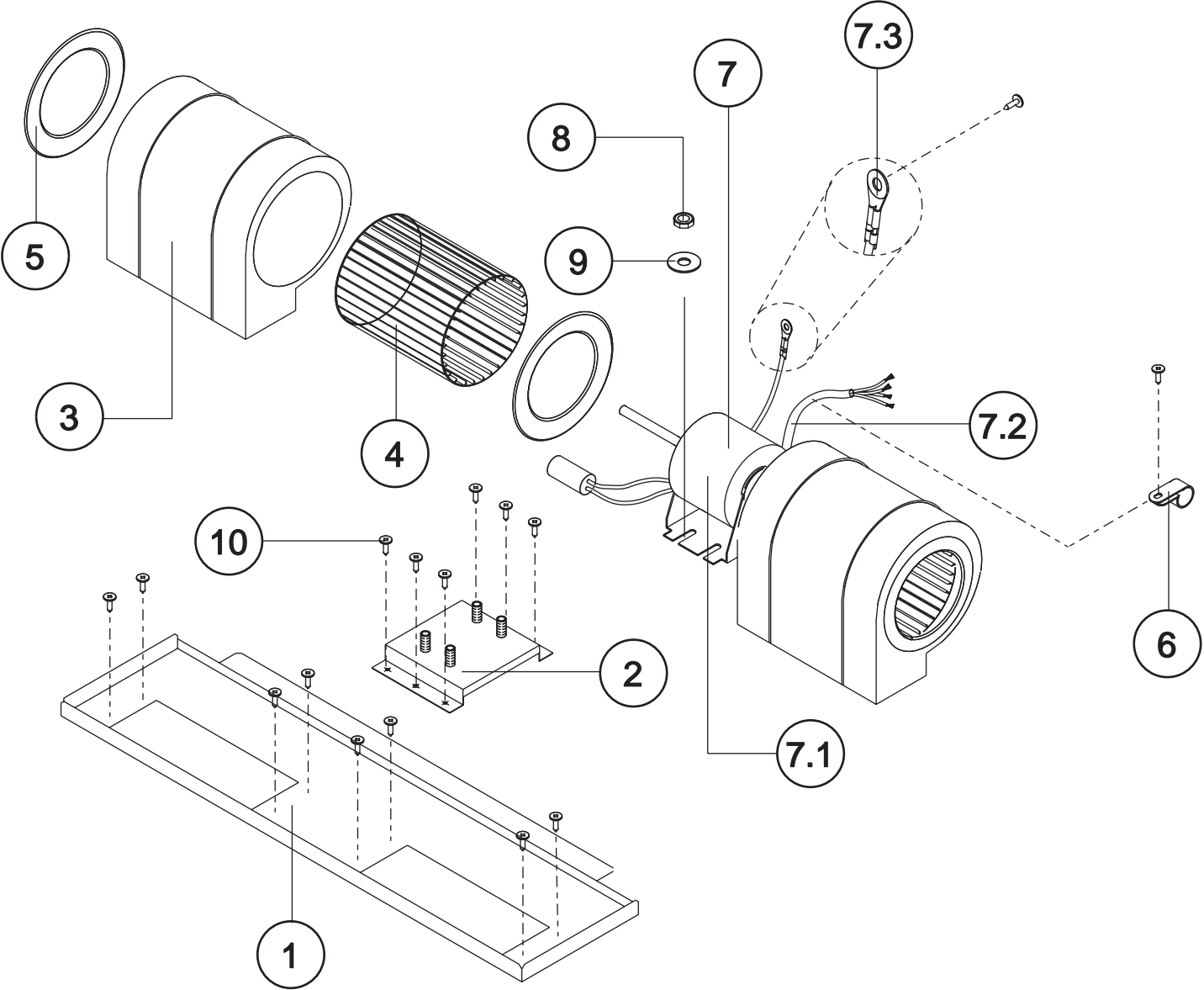
Unit No . 01
Coil Set

From Model : CCX



Index No .	Parts No .	Parts Name	Drawing No .	Type (Maker)	Quantity							Note	
					04	06	08	10	12	16	20		
7		Angle Duct LH,RH											
	CX 0300019	For 04/06/08			2	2	2						
	CX 0300020	For 10/12						2	2				
	CX 0300021	For 16/20								2	2		
8		Support Coil RH											
	CX 0300022	For 04/06			21	2							
	CX 0300023	For 08					2						
	CX 0300024	For 10/12						2	2				
	CX 0300025	For 16/20								2	2		
9	0700002	Tapping Screws		No 8 Lgth. 1/2"	28	28	28	28	28	28	28		

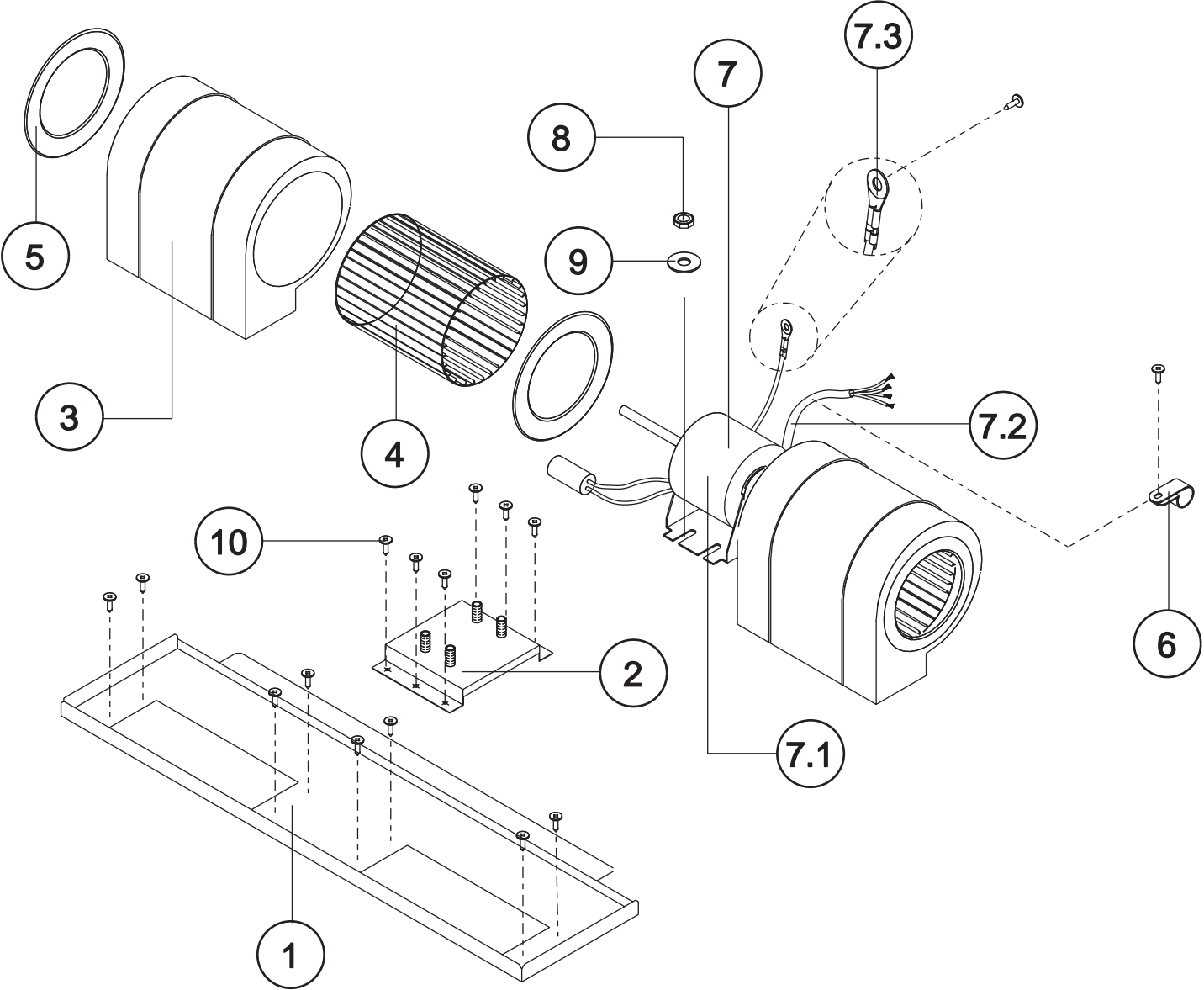
Unit No . 02 From Model : CCX
Motor and blower Set



Index No .	Parts No .	Parts Name	Drawing No .	Type (Maker)	Quantity							Note	
					04	06	08	10	12	16	20		
1		Ventury											
	CX 0300026	For 04/06			1	1							
	CX 0300027	For 08					1						
	CX 0300028	For 10/12						1	1				
	CX 0300029	For 16/20								1	1		
2		Support Motor											
	CX 0300030	For 12/16/20		EG#16					1	1	1		
3		Blower Housing											
	CX 0100001	For Blower Wheel Size 6*8"	PL-HS-01	PLASTIC	2								
	CX 0100002	For Blower Wheel Size 6*9"		PLASTIC		2							
	CX 0100003	For Blower Wheel Size 7*8"		PLASTIC			2	2					
	CX 0100004	For Blower Wheel Size 7*7"		AL					2				
	CX 0100005	For Blower Wheel Size 7*9"		AL						2	2		
4		Blower Wheel											
	CX 0100006	Blower Wheel Size 6*8"	PL-BW-01	PLASTIC	2								
	CX 0100007	Blower Wheel Size 6*9"	PL-BW-01	PLASTIC		2							

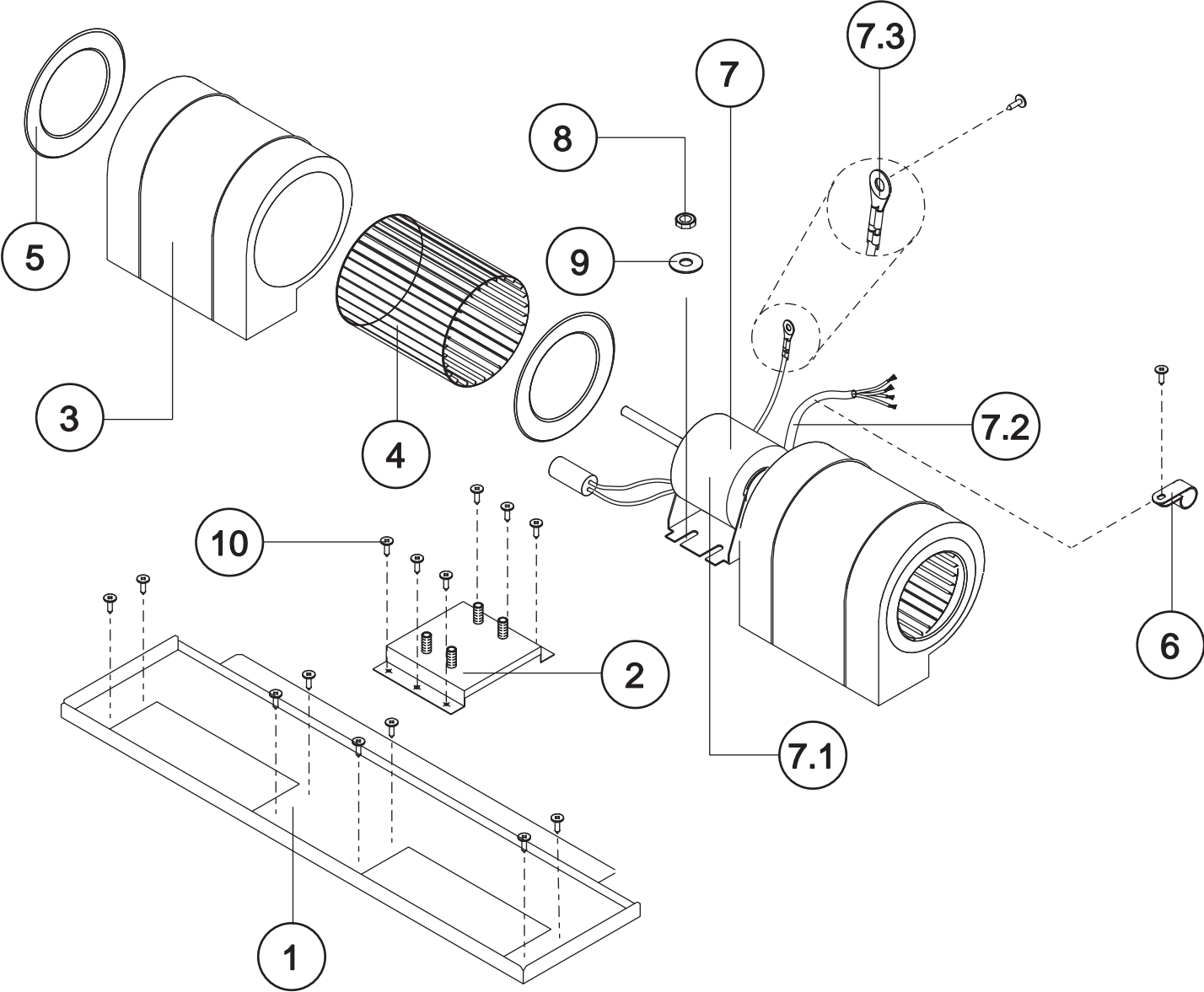
Note 1. This part is not sold separately.

Unit No . 02 From Model : CCX
Motor and blower Set



Index No .	Parts No .	Parts Name	Drawing No .	Type (Maker)	Quantity							Note
					04	06	08	10	12	16	20	
	CX 0100008	Blower Wheel Size 7*8"	PL-BW-01	PLASTIC			2	2				
	CX 0100009	Blower Wheel Size 7*7"		AL					2			
	CX 0100010	Blower Wheel Size 7*9"		AL						2	2	
5	CX 0100011-1	Guide Vane For Plastic Blower Housing	PL-HS-01	PLASTIC	4	4	4	4				
	CX 0100011-2	Guide Vane For Aluminium Blower Housing	PL-HS-01						4	4	4	
6	CX 0300031	C-Came			1	1	1	1	1	1	1	See Note 1.
7		Motor Assy										60 Hz
7.1		Motor										
	CX 0200001	Motor 1/15 Hp For 04/06		PSC	1	1						
	CX 0200002	Motor 1/10 Hp For 08/10		PSC			1	1				
	CX 0200002-1	Motor 1/4 Hp For 12		PSC					1			
	CX 0200003	Motor 1/2 Hp For 16/20		PSC						2	2	
7.2	CX 0200004	PVC Tube		D 1/2"	1	1	1	1	1	1	1	
7.3	CX 0200005	Ring Jack			1	1	1	1	1	1	1	
8	0700024	Nut		1/4"	4	4	4	4	8	8	8	
9	0700025	Flat Washers		I.D. 1/4"	4	4	4	4	8	8	8	

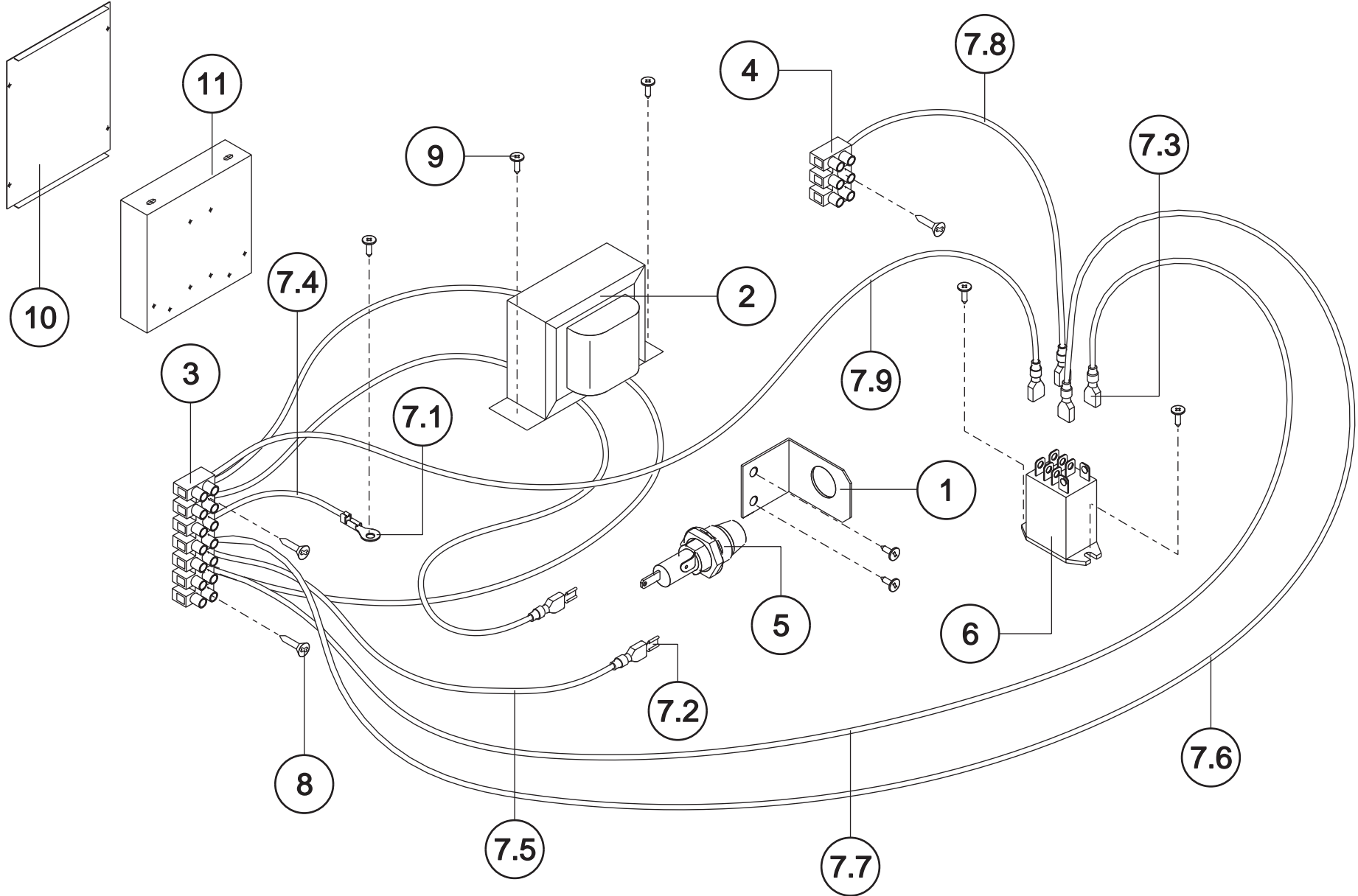
Unit No . 02 From Model : CCX
Motor and blower Set



Index No .	Parts No .	Parts Name	Drawing No .	Type (Maker)	Quantity							Note
					04	06	08	10	12	16	20	
10	0700002	Tapping Screws		No 8 Lgth.1/2"	13	13	13	13	20	24	24	

Unit No . 03
Wire Set

From Model : CCX

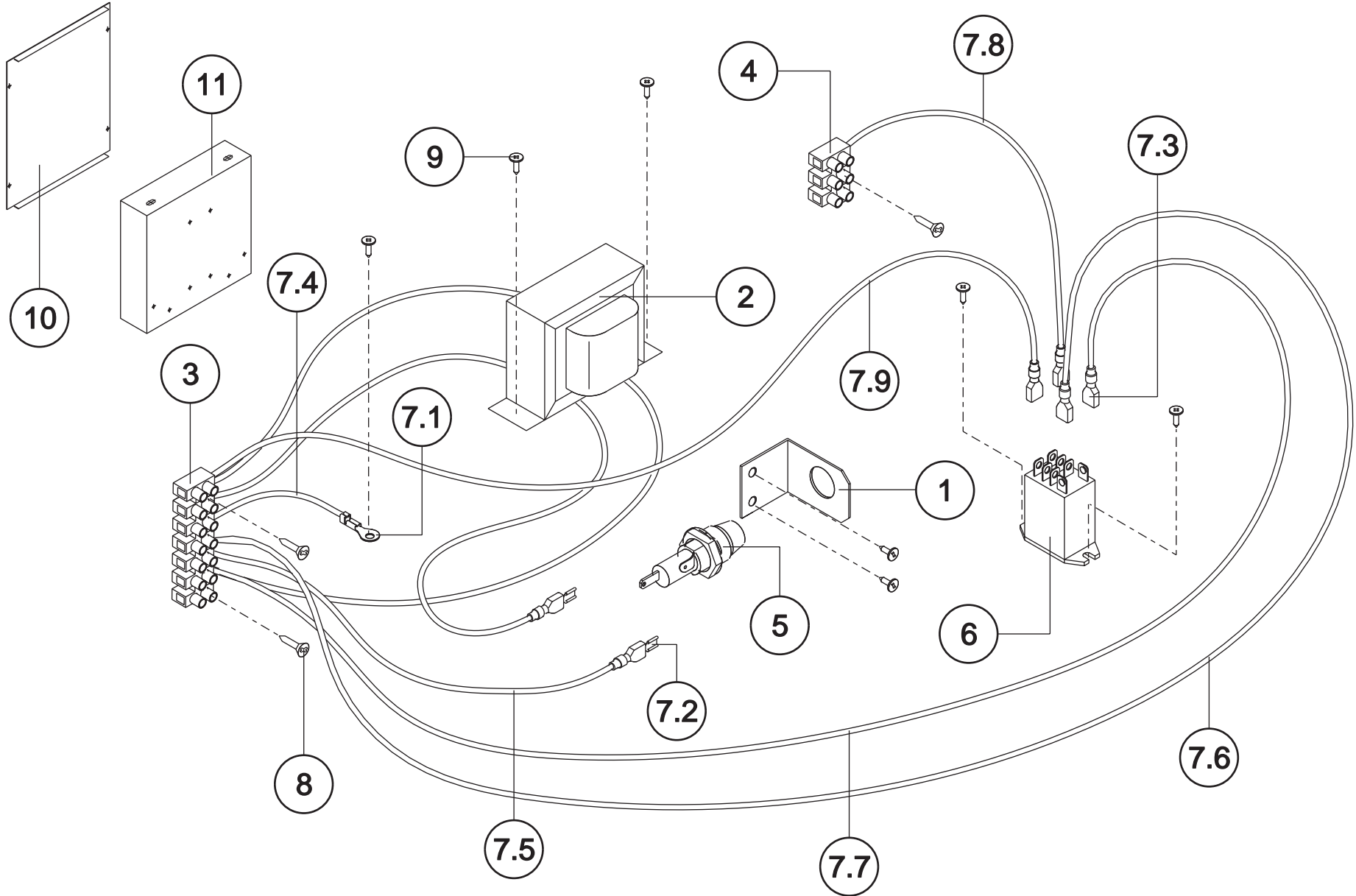


Index No .	Parts No .	Parts Name	Drawing No .	Type (Maker)	Quantity						Note	
					04	06	08	10	12	16		20
1	CX 0300032	Support Fuse		GL#18	1	1	1	1	1	1	1	
2	CX 0200006	Transformer			1	1	1	1	1	1	1	
3	CX 0200007	Terminal Block 7 Pole			1	1	1	1	1	1	1	
4	CX 0200008	Terminal Block 3 Pole			1	1	1	1	1	1	1	
5	CX 0200009	Fuse			1	1	1	1	1	1	1	
6	CX 0200010	Fan Relay			1	1	1	1	1	1	1	
7	00003WH	Wire Set										See Note 1.
7.1	CX 0200011	Ring Jack			1	1	1	1	1	1	1	
7.2	CX 0200012	Female Terminal			6	6	6	6	6	6	6	
7.3	CX 0200013	Terminal Sleeve			6	6	6	6	6	6	6	
7.4	CX 0200014	Green Wire		VSF 1mm.	1	1	1	1	1	1	1	
7.5	CX 0200015	Yellow Wire		VSF 1mm.	1	1	1	1	1	1	1	
7.6	CX 0200016	Blue Wire		VSF 1mm.	1	1	1	1	1	1	1	
7.7	CX 0200017	Yellow Wire		VSF 1mm.	1	1	1	1	1	1	1	
7.8	CX 0200018	Black Wire		VSF 1mm.	1	1	1	1	1	1	1	
8	0700009	Drywall Screws		No 7 Lgth.5/8"	3	3	3	3	3	3	3	

Note 1. This part is not sold separately.

Unit No . 03
Wire Set

From Model : CCX



Index No .	Parts No .	Parts Name	Drawing No .	Type (Maker)	Quantity							Note
					04	06	08	10	12	16	20	
9	0700002	Tapping Screws		No 8 Lgth.1/2"	7	7	7	7	7	7	7	
10	CX 0300033	Cover Side Panel (LH)			1	1	1	1	1	1	1	
11	CX 0300034	Side Panel (LH)			1	1	1	1	1	1	1	