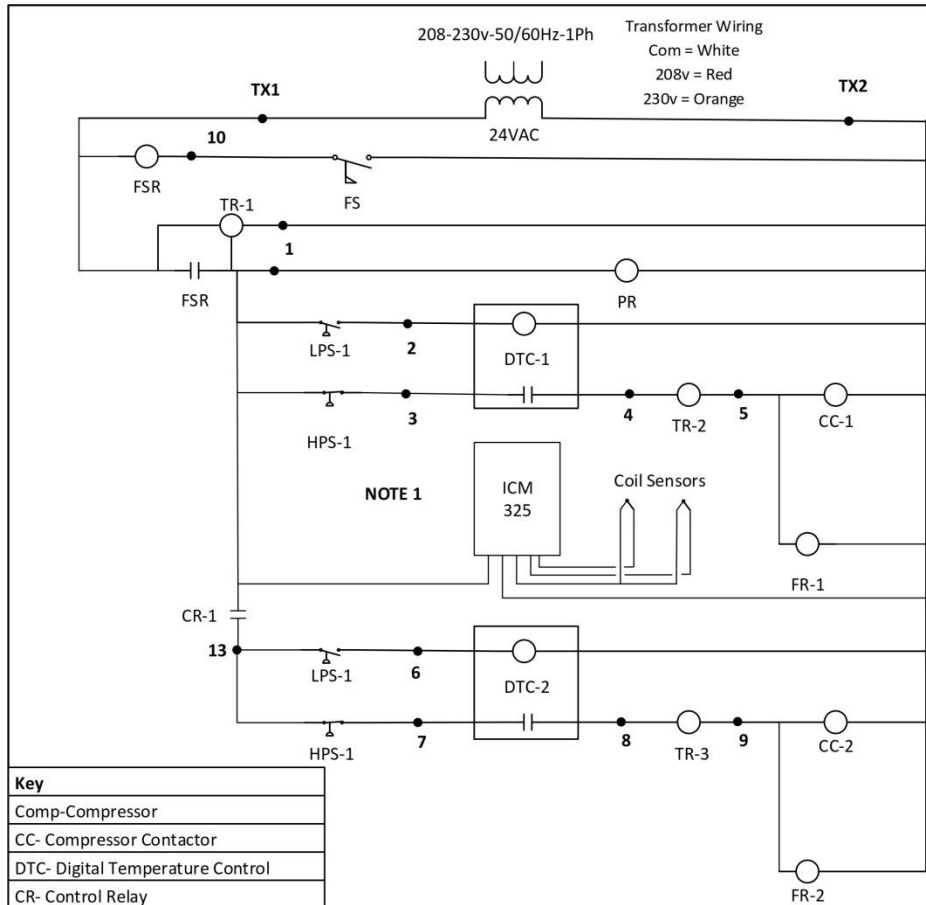
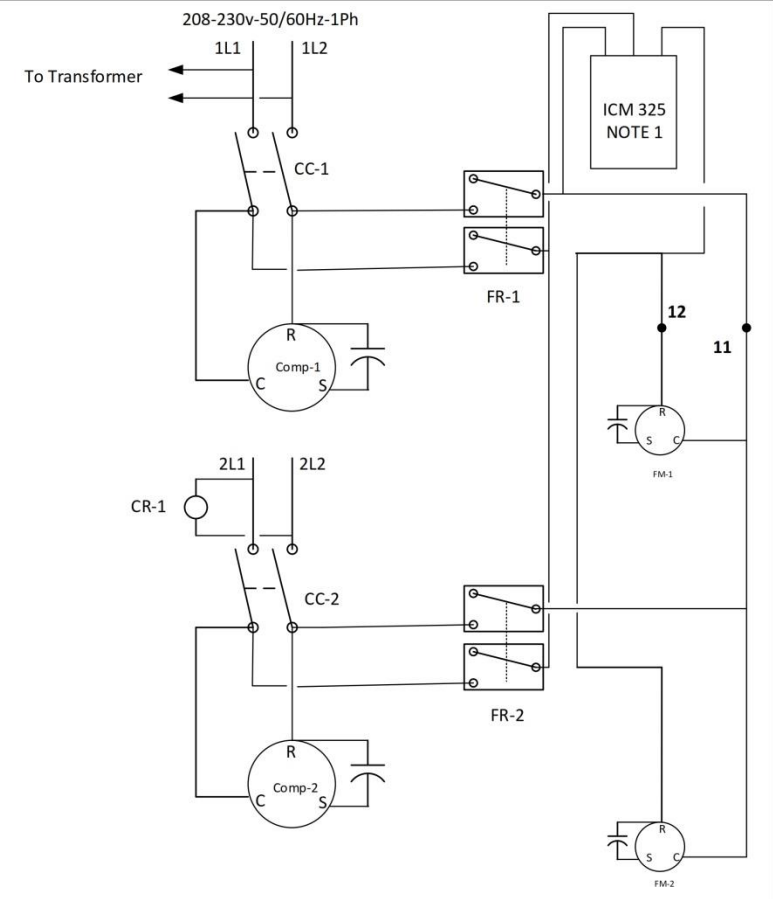


MAC-120HE-1-L Wiring Diagram

208/230-1-50/60

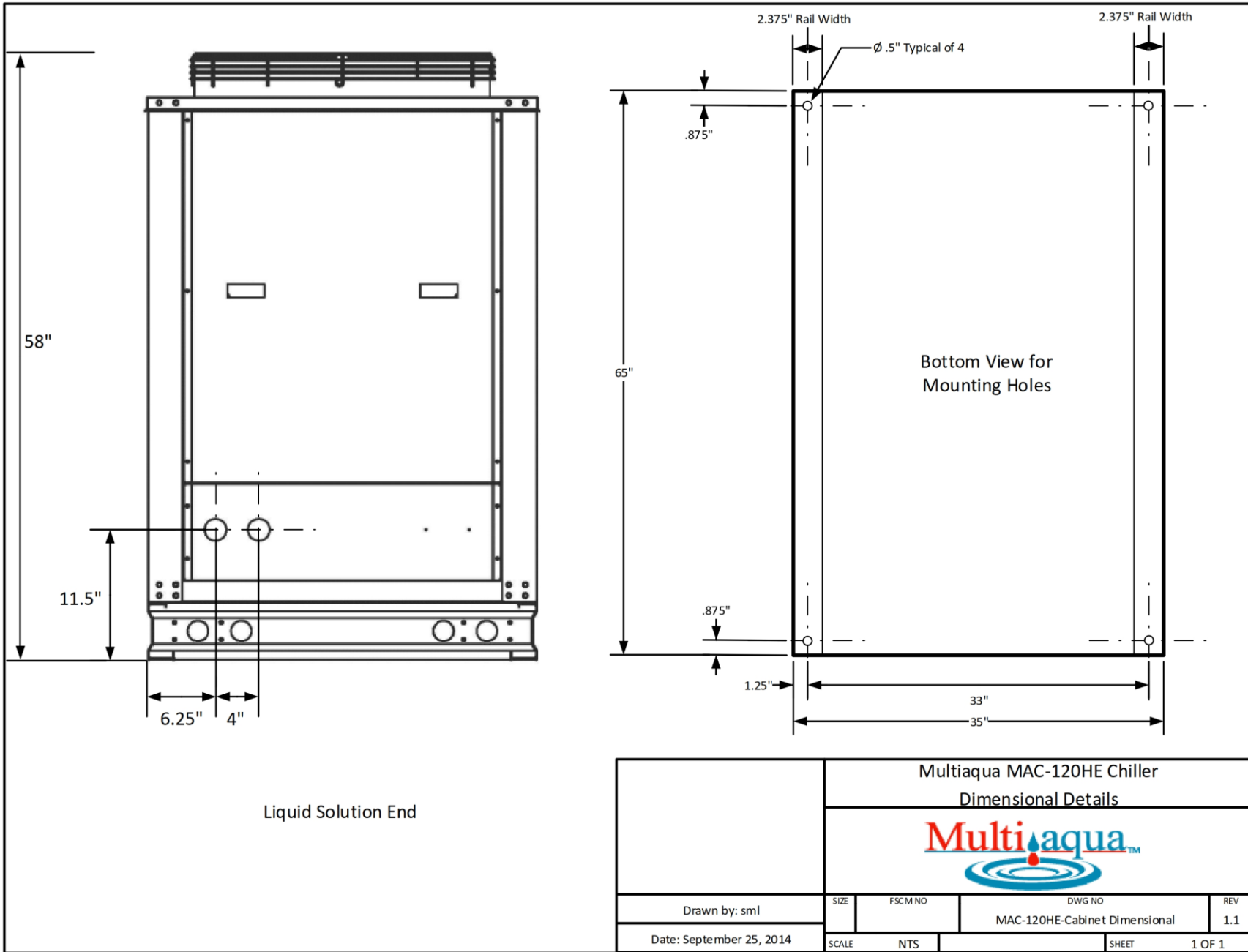


| Key | |
|---|--------------------------------------|
| Comp-Compressor | |
| CC- Compressor Contactor | |
| DTC- Digital Temperature Control | |
| CR- Control Relay | |
| FC-Fan Contactor | |
| FM-Fan Motor | |
| FR- Fan Relay | NOTE: 1 |
| FS- Flow Switch | ICM Terminal Designations |
| FSR- Flow Switch Relay | Line 1 120/208/240VAC - Motor Common |
| HPS- High Pressure Switch | Line 2 120/208/240VAC |
| LPS- Low Pressure Switch | Motor 2 - Motor Line 2 |
| PR- Pump Relay | 24VAC- 24v control power |
| TR-1- Timing Relay (10 sec. by pass) | S1 - Coil Sensor 1 connections |
| TR-2, TR-3- Off Time Delay Relay 3 min. | S2- Coil Sensor 2 Connections |



| | | | |
|--|-------------------------|----------------------|--------------|
| MAC120He-01-XXX-L Wiring Diagram with LAK | | | |
| | | | |
| Drawn by: sml | SIZE | FSCM NO | DWG NO |
| Date: September 3, 2014 | MAC120He Ladder Drawing | | REV 2.5 |
| SCALE | NTS | 208-230v-50/60Hz-1Ph | SHEET 1 OF 1 |

MAC-120HE-1-L Dimensional Drawing



Liquid Solution End

Multiaqua MAC-120HE Chiller
Dimensional Details



| | | | | | |
|--------------------------|--|-------------------------------|----------|--------|--------|
| Drawn by: sml | | SIZE | FSC M NO | DWG NO | REV |
| Date: September 25, 2014 | | MAC-120HE-Cabinet Dimensional | | 1.1 | |
| SCALE | | NTS | | SHEET | 1 OF 1 |