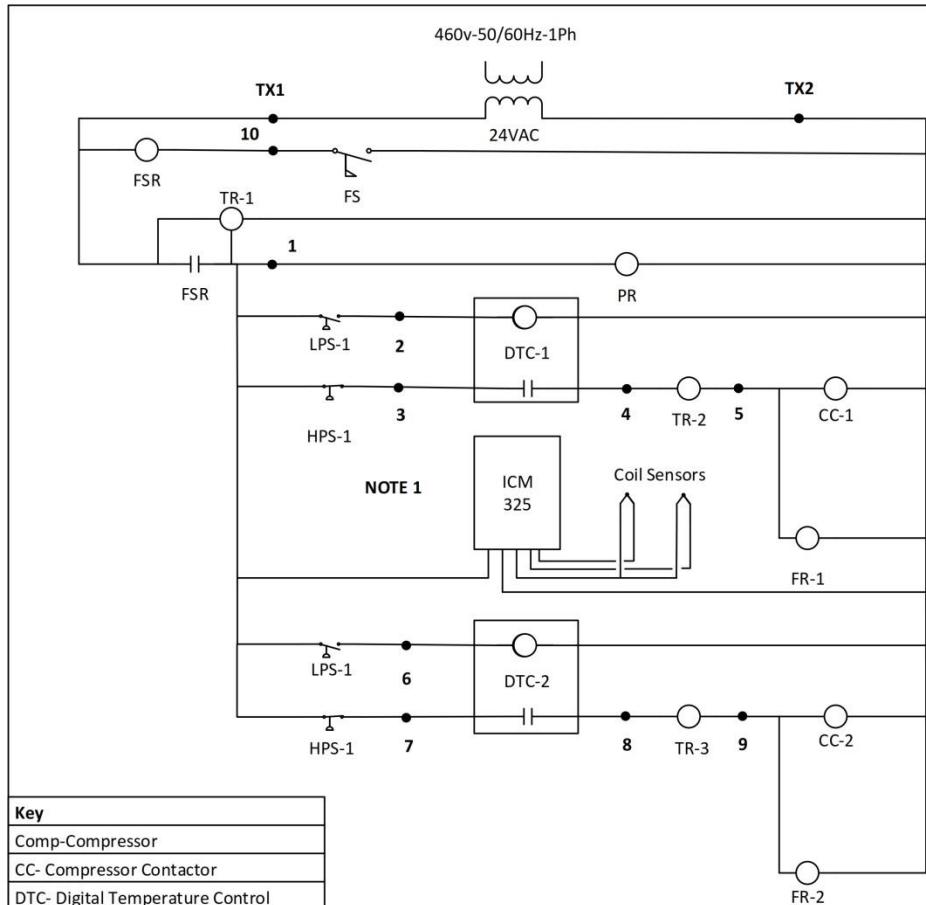
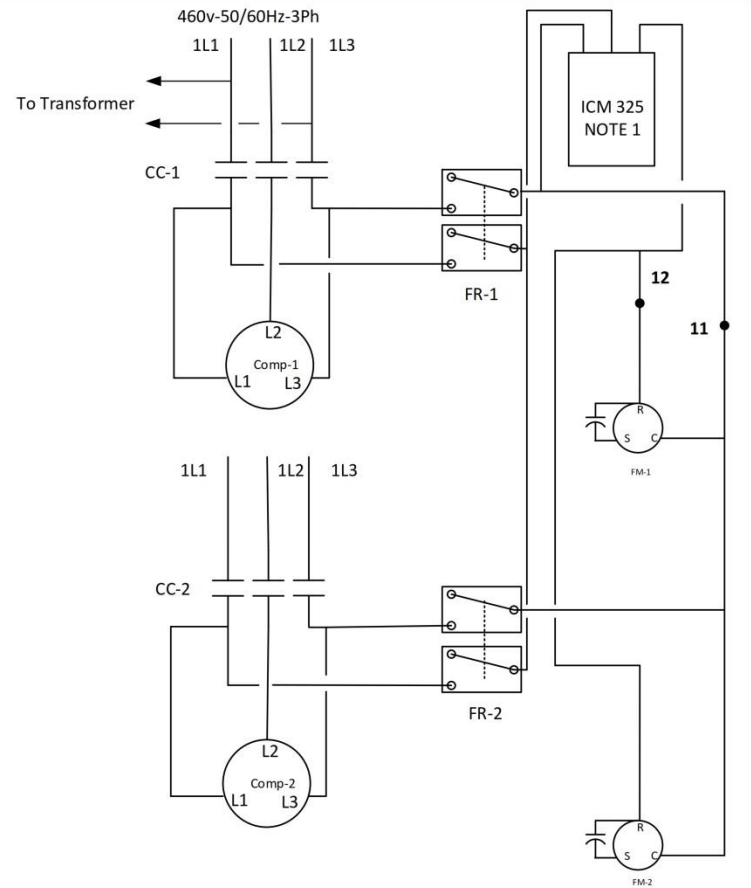



MAC-120HE-3-L Wiring Diagram

380/460-3-50/60



Key	
Comp-Compressor	
CC- Compressor Contactor	
DTC- Digital Temperature Control	
FC-Fan Contactor	
FM-Fan Motor	
FR- Fan Relay	NOTE 1
FS- Flow Switch	ICM Terminal Designations
FSR- Flow Switch Relay	Line 1 480VAC - Motor Common
HPS- High Pressure Switch	Line 2 120/208/240VAC
LPS- Low Pressure Switch	Motor 2 - Motor Line 2
PR- Pump Relay	24VAC- 24v control power
TR-1- Timing Relay (10 sec. by pass)	S1 - Coil Sensor 1 connections
TR-2, TR-3- Off Time Delay Relay 3 min.	S2- Coil Sensor 2 Connections



MAC120He-03-XXX-L Wiring Diagram with LAK				
				
Drawn by: sml	SIZE	FSCM NO	DWG NO	REV
Date: April 8, 2015	SCALE	NTS	460v-50/60Hz-3Ph	SHEET 1 OF 1
			MAC120He Ladder Drawing	2.6

MAC-120HE-3-L Dimensional Drawing

380/460-3-50/60

