

THA 2006

PL-MAC036-STD0001

MODEL OF CHILLER

MAC 036

FOR 36000 BTU.

PARTS LIST



MULTIAQUA, INC.

2701 S.W. 145 AVENUE, SUITE #220

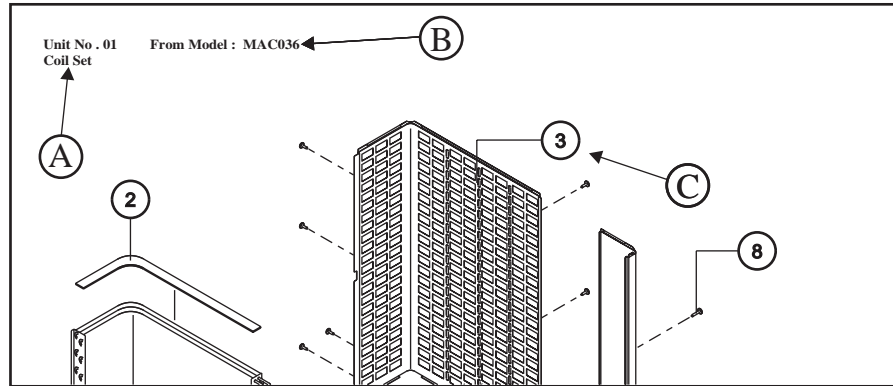
MIRAMAR, FLORIDA 33027 U.S.A.

Tel: (954) 431-1300 • Fax: (954) 431-1303 • email: support@multiaqua.com

www.multiaqua.com

2006/10-00

2. MAIN TEXT



Index No.	Parts No.	Parts Name	Drawing No.	Type (Marker)	QTY.	Note
1	MAC036	Coil 48x38x2R			1	
2	MAC036	Insulation For Coil		PE	1	
3	MAC036	Coil guard		EG#20	1	
4	MAC036	Rear Panel		EG#20	1	
5	MAC036	Top Side Panel		EG#20	1	
6	MAC036	Bottom Side Panel		EG#20	1	
7	MAC036	Access Door		EG#22	1	
8	0700001	Tapping Screws		No 8 Lgth.5/8"	4	

(A) Unit Number and Name

The Unit Number and Name are shown on relevant pages.

(B) Machine Model

The Model of machine corresponding to the information shown.

(C) Index Number

The Index Number for each part in a drawing is shown and corresponds to the list of parts for that drawing.

(D) Parts Number

The individual Code No for each part the Model MAC036 is shown.

(E) Parts Name

The Name (description) of each part.

(F) Drawing Number

The Number of drawing relevant to the part are given.

(G) Type (Maker)

The type description and manufacturer of each marketed item are shown.

(H) Quantity

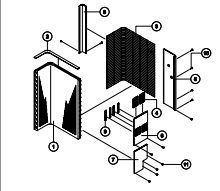
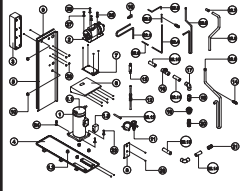
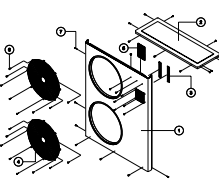
The quantity of each part used on the each MACpacitor.

(I) Notes

MACutions and notes necessary to the ordering of each part.

ORDER INSTRUCTIONS

1. Use the drawings in the Table of Contents to find the pages on which the part in question is shown in greater detail.

CONTENTS					
01	Coil Set	02	Compressor Set	03	Front Panel Set
1-2		3-4		5-6	

This units is shown on
Page 5~8



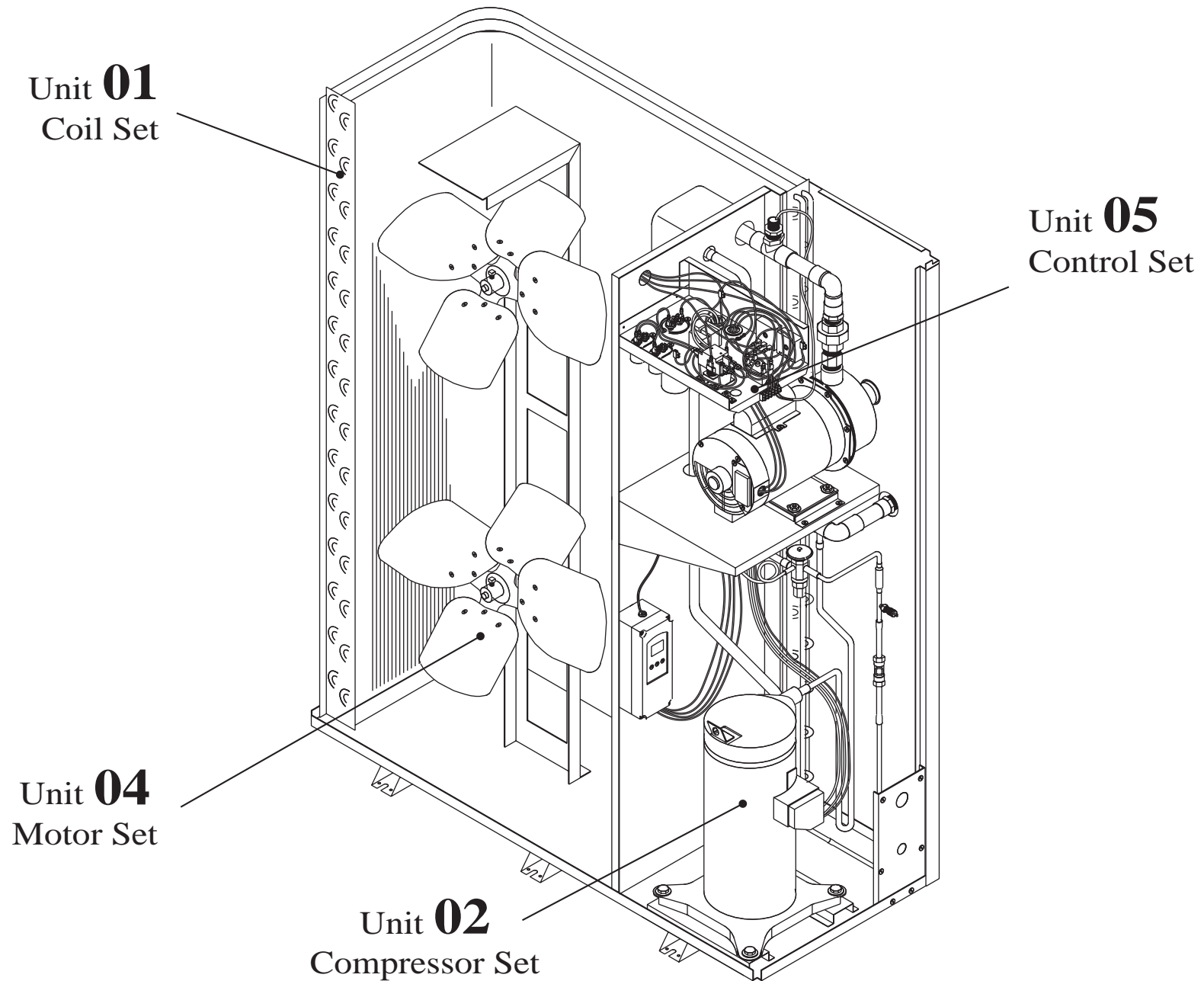
2. Spread out the referred pages.

3. Use the drawings and corresponding lists to confirm the specs, etc. Of the part in question.

4. When ordering, please supply the following information:

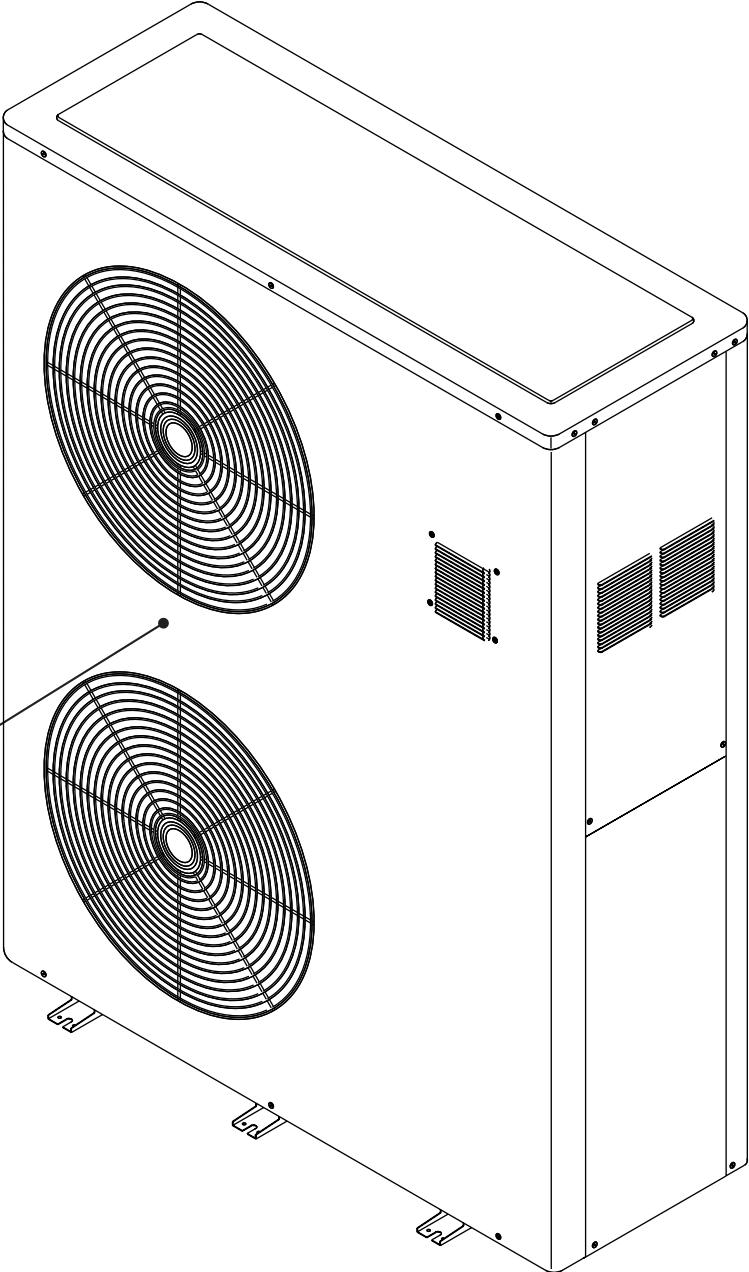
- (1) Machine Model
- (2) Serial number
- (3) Parts number
- (4) Parts name
- (5) Quantity

MACHINE COMPONENT

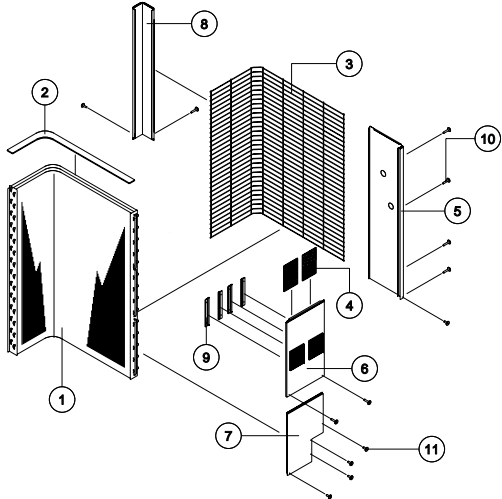
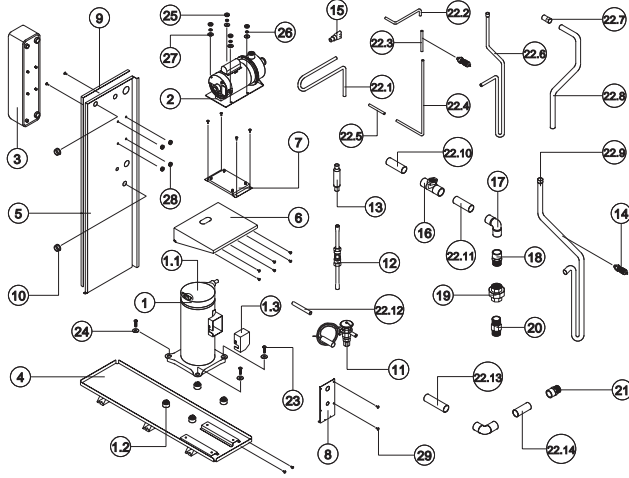
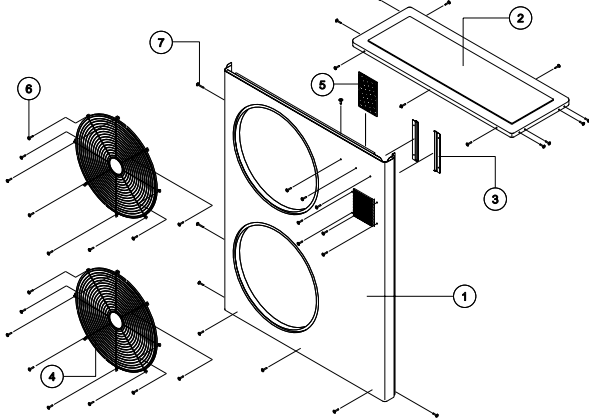
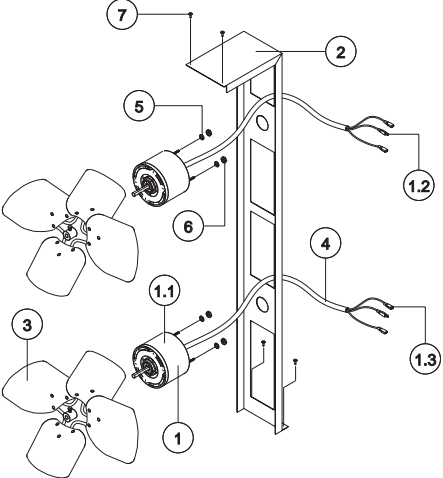
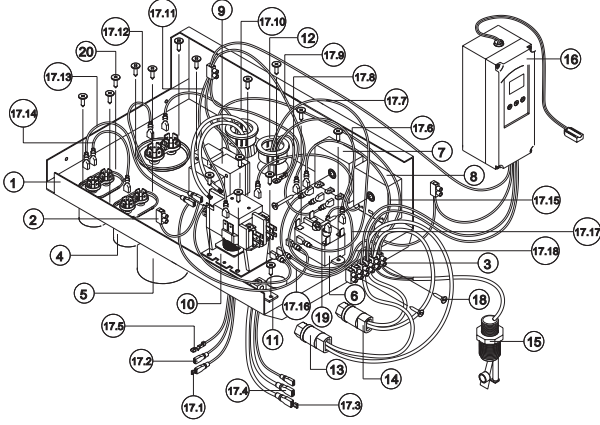


MACHINE COMPONENT

Unit 03
Front Panel Set

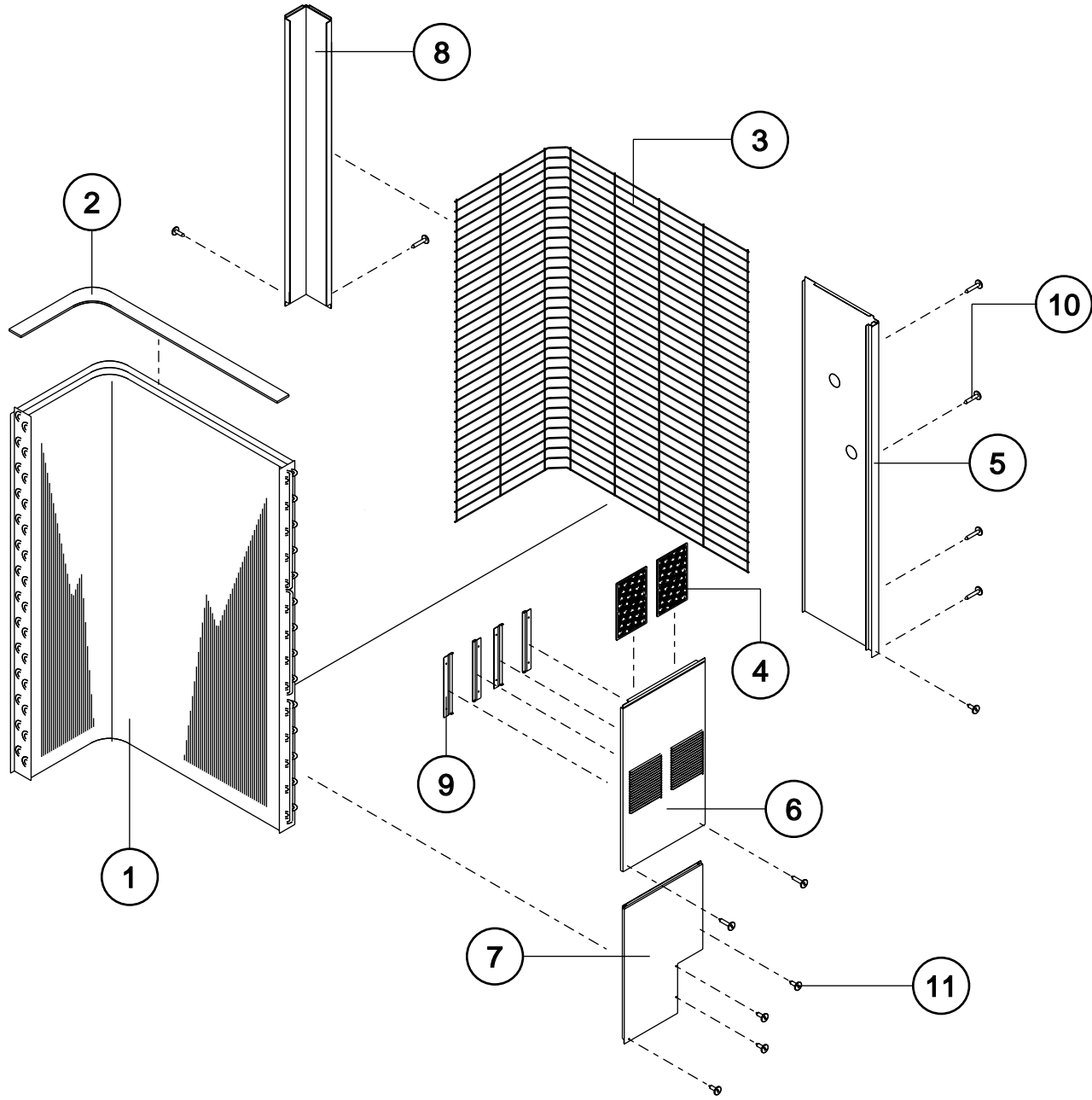


CONTENTS

01	Coil Set	02	Compressor Set	03	Front Panel Set
	1~2		3~6		7~8
					
04	Motor Set	05	Control and Wire Set		
	9~10		11~14		
					

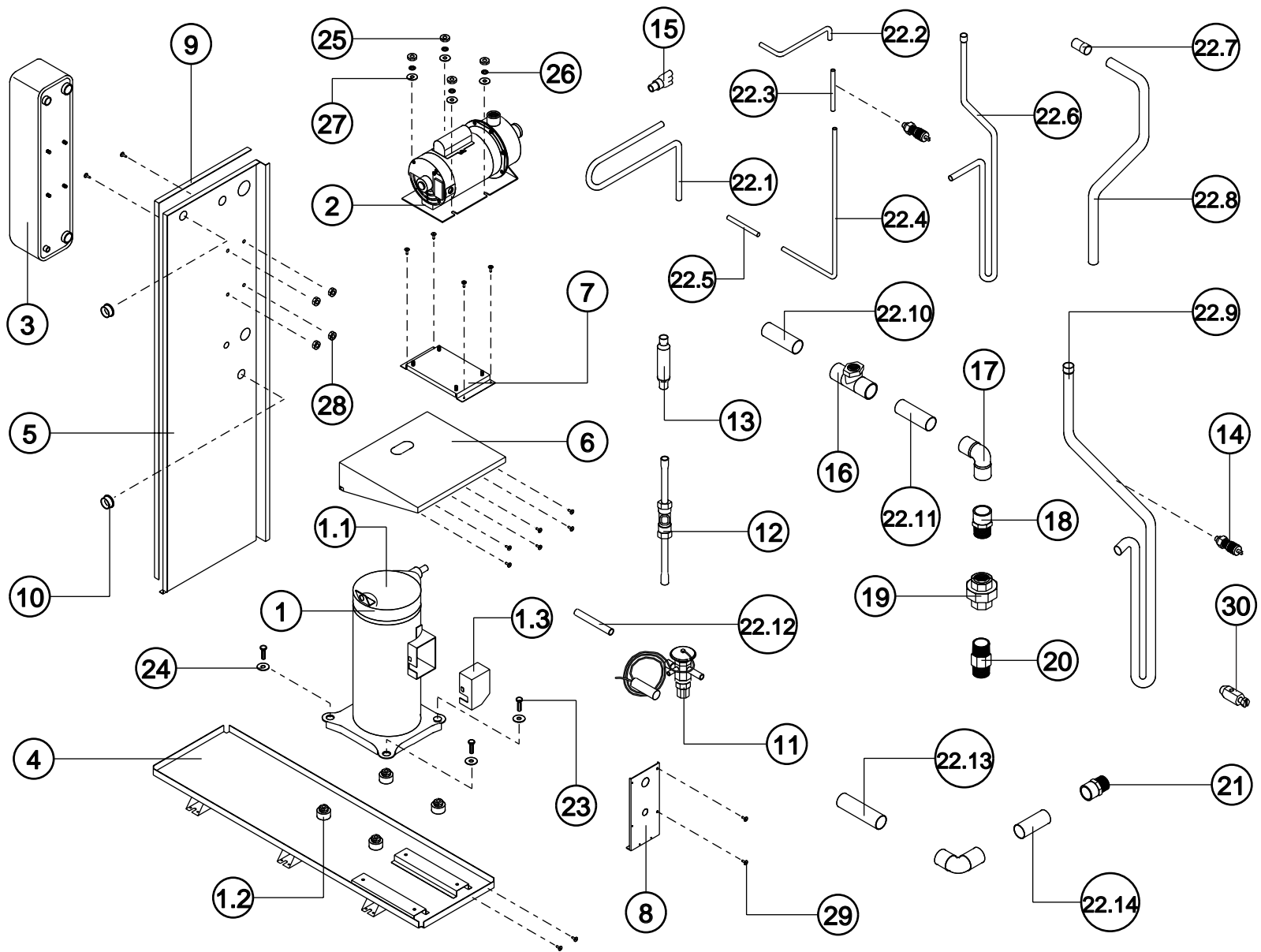
Unit No . 01
Coil Set

From Model : MAC 036



Index No .	Parts No .	Parts Name	Drawing No .	Type (Maker)	QTY.	Note
1	MAC036 060001	Coil 48x38x2R			1	
2	MAC036 080001	Insulation For Coil		PE	1	
3	MAC036 030001	Coil guard			1	
4	MAC036 010001	Filter			2	
5	MAC036 030002	Rear Panel With Insulation		EG#20	1	
6	MAC036 030003	Right Side Panel With Insulation(Upper)		EG#20	1	
7	MAC036 030004	Right Side Panel With Insulation (Lower)		EG#22	1	
8	MAC036 030005	Support Frame Rear-Left		EG#20	1	
9	MAC036 030006	Support Filter		EG#20	4	
10	0700001	Tapping Screws		No 8 Lgth.5/8"	4	
11	0700002	Tapping Screws		No 8 Lgth.1/2"	15	

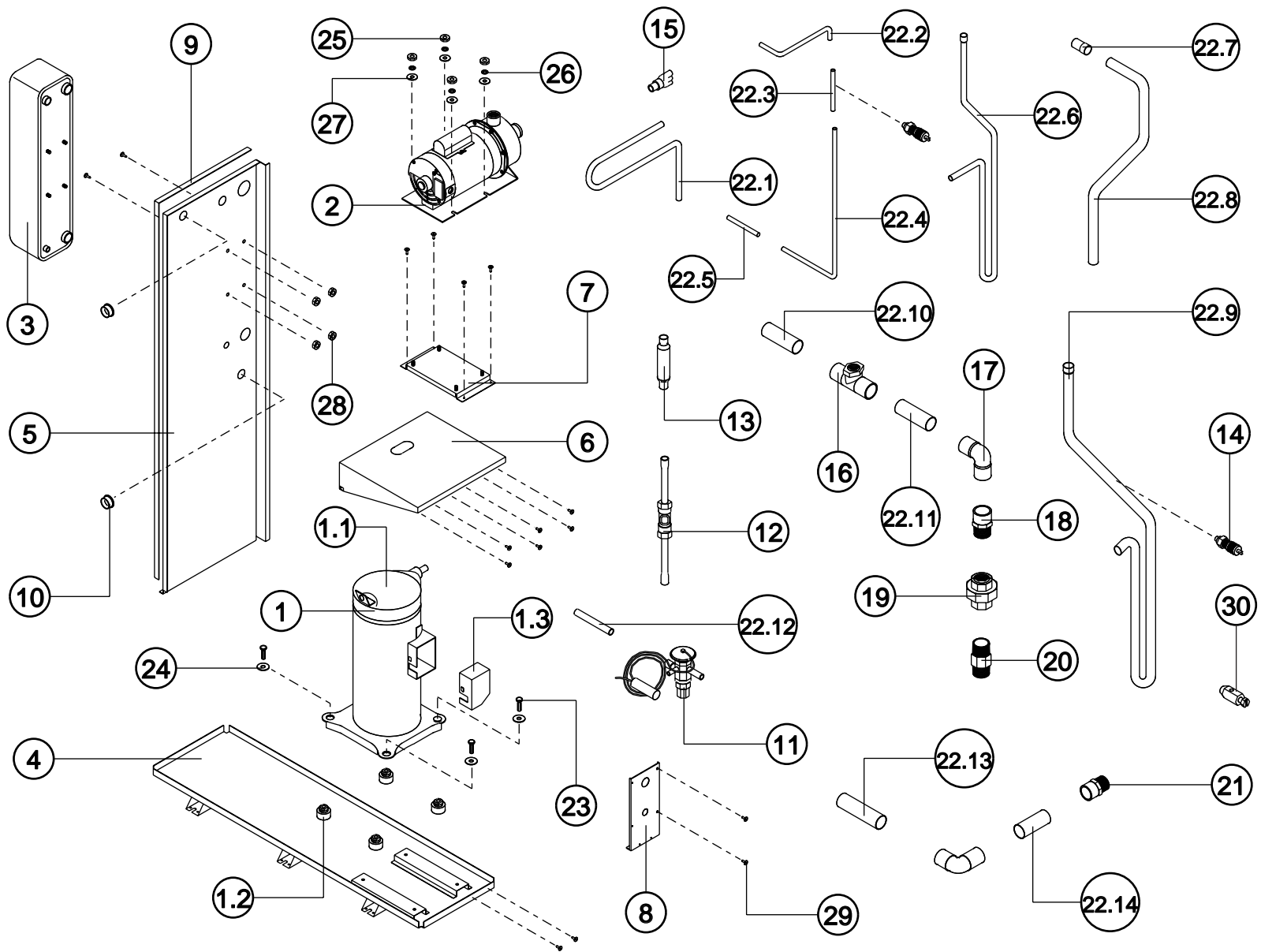
Unit No . 02 From Model : MAC036
 Compressor Set



Index No .	Parts No .	Parts Name	Drawing No .	Type (Maker)	QTY.	Note
1	MAC036 0001C	Compressor Set			1	See Note 1.
1.1	MAC036 020001	Compressor				
	MAC036 020001-1	For MAC-036-01-N			1	
	MAC036 020001-2	For MAC-036-02-N			1	
	MAC036 020001-3	For MAC-036-03-N			1	
2	MAC036 020002	Pump				
	MAC036 020002-1	For 208/230V			1	
	MAC036 020002-2	For 380/460			1	
3	MAC036 020003	Heat Exchanger With Insulation			1	
4	MAC036 030007	Base Pan Assembly		EG #18	1	
5	MAC036 030008	Partition With Insulation			1	
6	MAC036 030009	Panel Bottom Pump		GI#16	1	
7	MAC036 030010	Support Pump		GI#18	1	
8	MAC036 030011	Electrical Entry Panel			1	
9	MAC036 080002	Insulation For Partition			1	
10	MAC036 010002	Bushing			3	

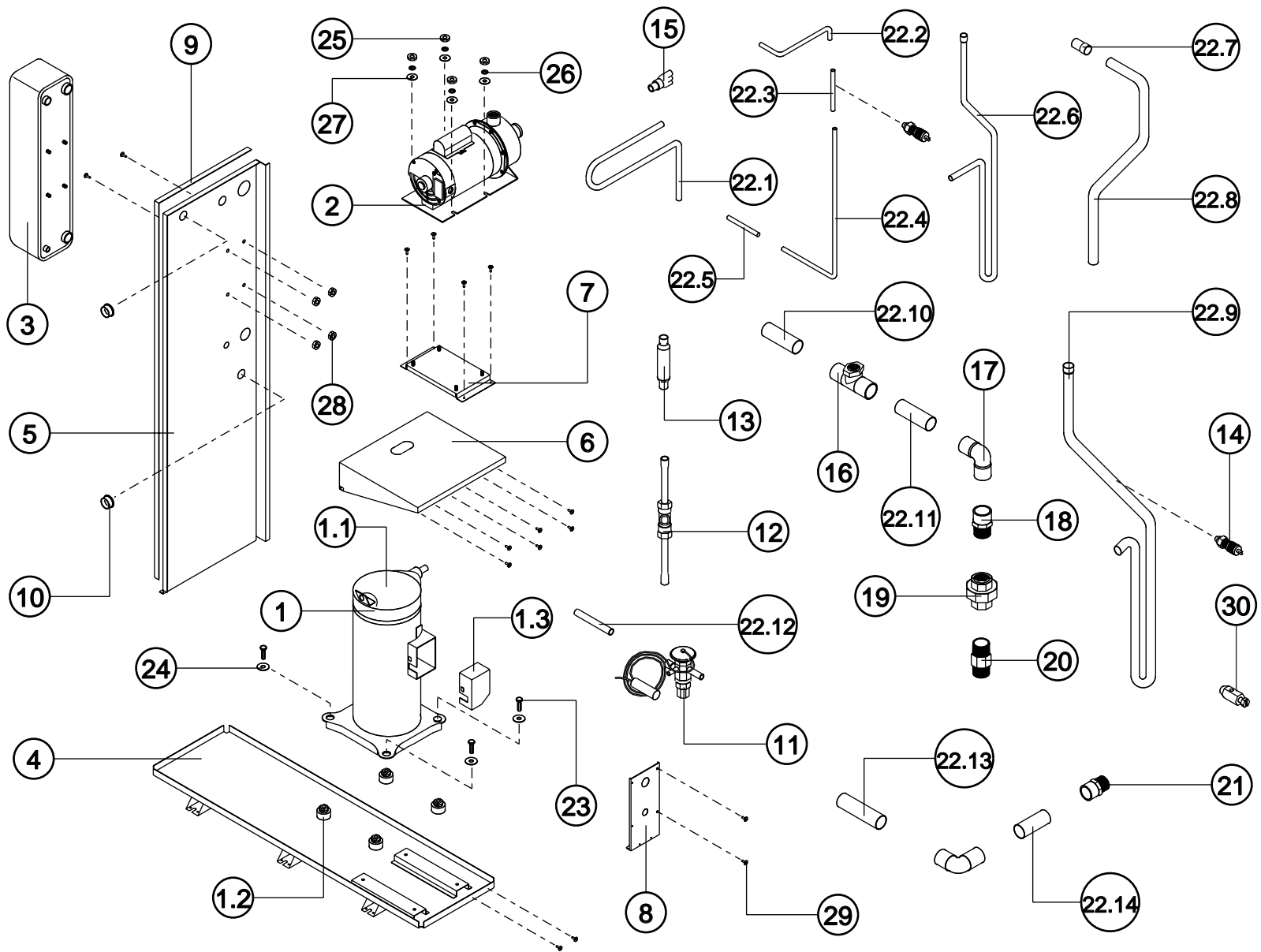
Note 1. This part is not sold separately.

Unit No . 02 From Model : MAC036
 Compressor Set

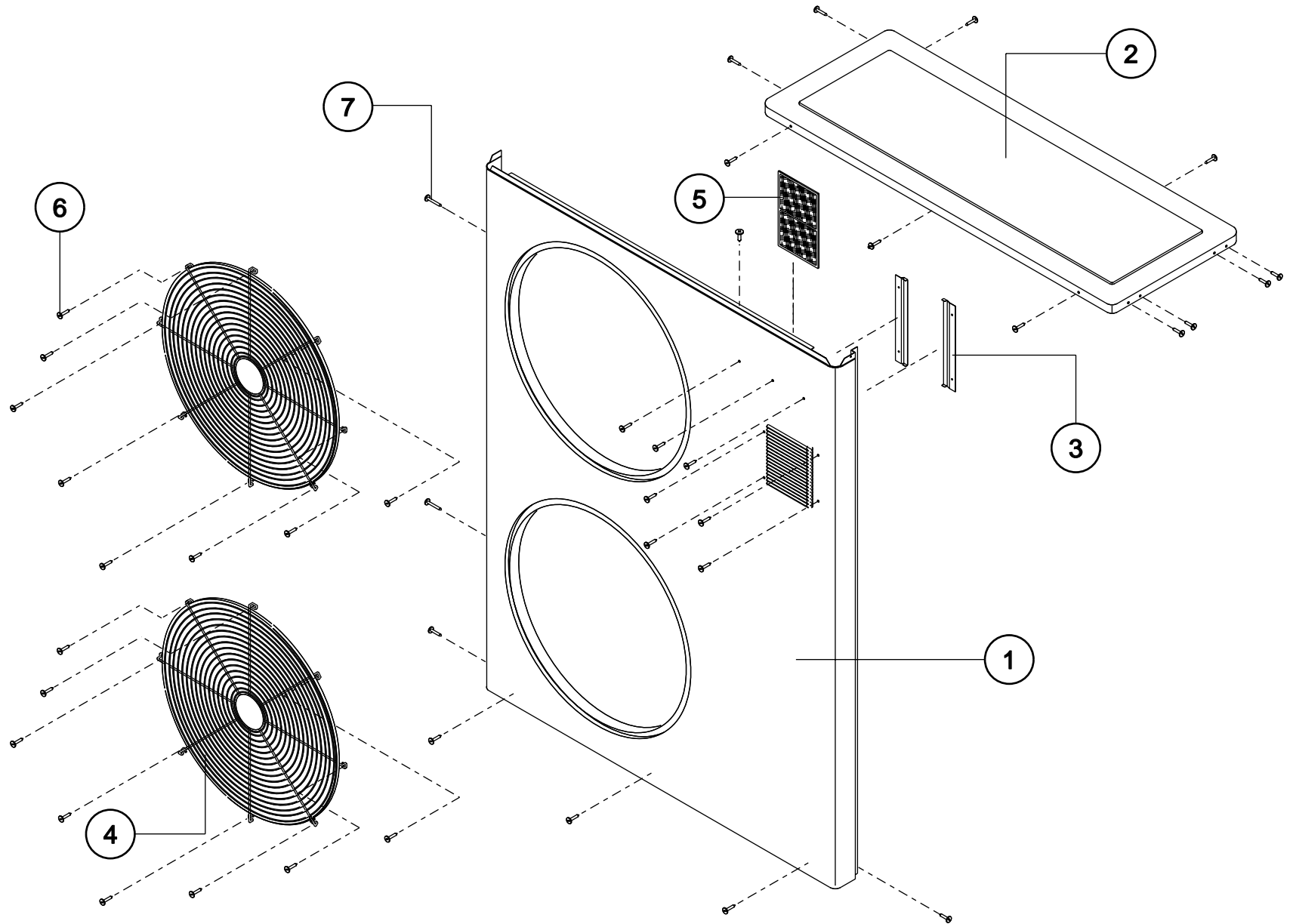


Index No .	Parts No .	Parts Name	Drawing No .	Type (Maker)	QTY.	Note
11	MAC036 020004	Expansion Valve		BBIVE-6GA-BP/20	1	
12	MAC036 020005	Sight Glass			1	
13	MAC036 020006	Strainer			1	
14	MAC036 020007	Access Valve			4	
15	MAC036 020008	Three Chanel Distributor			1	
16	MAC036 020009	Solder Fitting Tee 3/4"			1	
17	MAC036 020010	Elbow			2	
18	MAC036 020011	Solder Male Adaptor			1	
19	MAC036 020012	Straight Union Conical Seat			1	
20	MAC036 020013	Nipple 1-1/4"			1	
21	MAC036 020014	Solder Male Adaptor 1-1/8"			1	
22	MAC036 080003	Copper Set			1	
23	0700022	MACp Screws		5/16"Lght.1-1/2"	4	
24	0700005	Flat Washer		I.D. 5/16"	4	
25	0700022	Nut		5/16"Lght.1-1/2"	4	
26	0700005	Spring Washer		I.D. 5/16"	4	

Unit No . 02 From Model : MAC036
Compressor Set

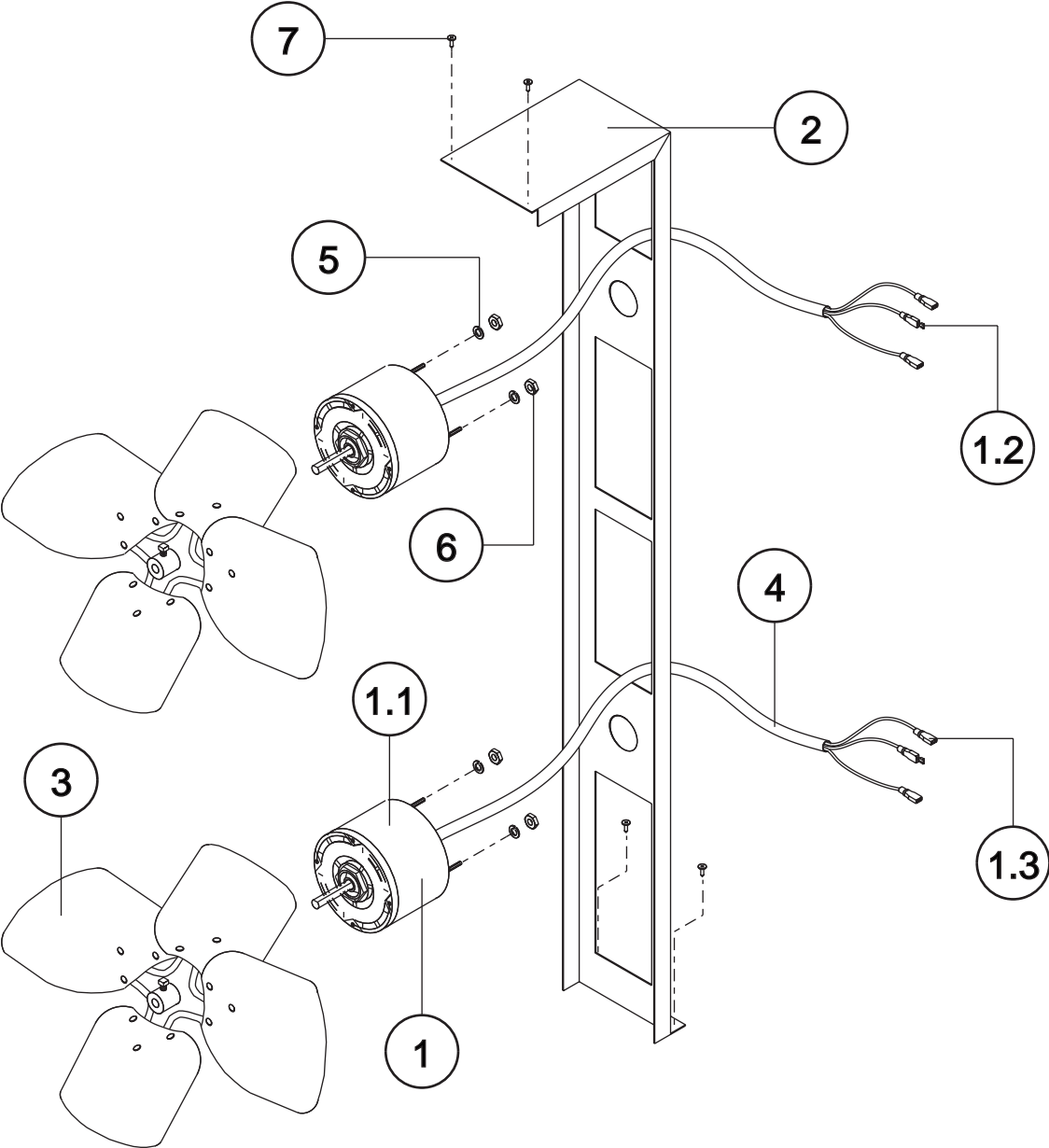


Unit No . 03 From Model : MAC036
Front Panel Set



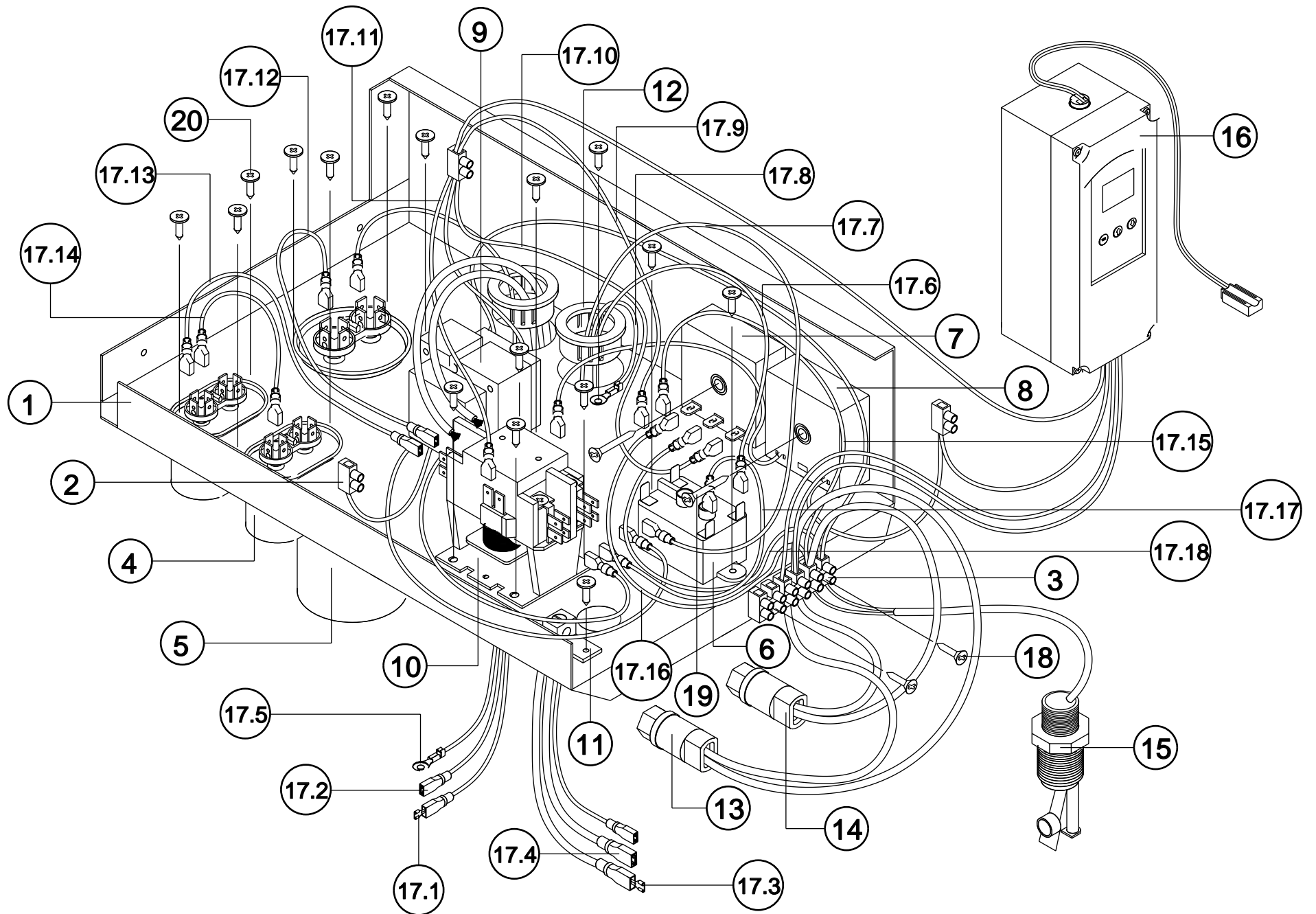
Unit No . 04
Motor Set

From Model : MAC036



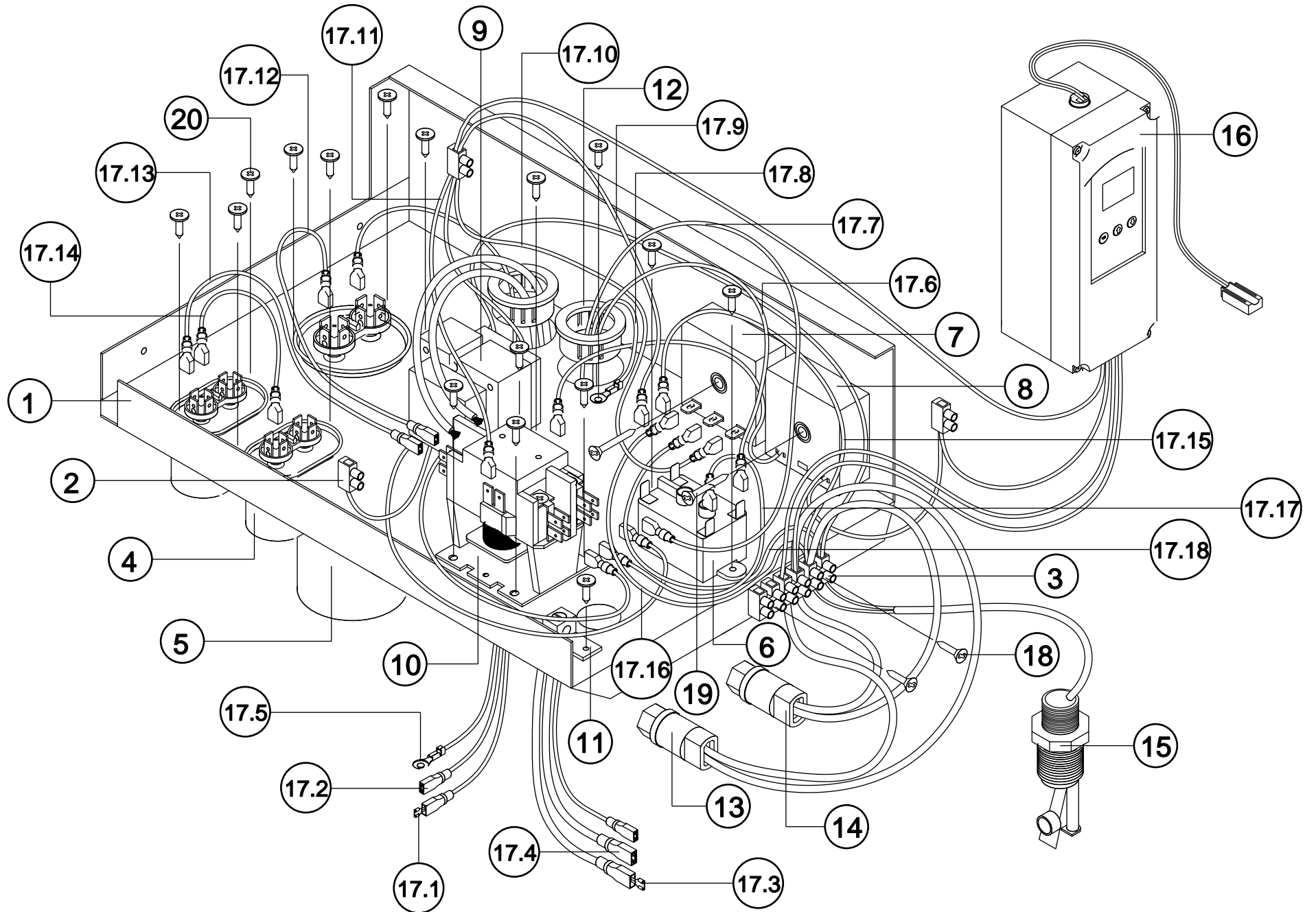
Index No .	Parts No .	Parts Name	Drawing No .	Type (Maker)	QTY.	Note
1	MAC036 020016	Motor Assy				
	MAC036 020016-1	For 208/230		1/10 HP	2	
	MAC036 020016-2	For 380/460		1/10 HP	2	
2	MAC036 030015	Motor Support Bracket		GL#18	1	
3	MAC036 020017	Fan Blade		18"	2	
4	MAC036 020018	PVC Tube		1/2"x135cm.	2	
5	0700012	Spring Washer		For M5	8	
6	0700014	Nut		M5	8	
7	0700002	Tapping Screws		No 8 Lgth.1/2"	4	

Note 1. This part is not sold separately.

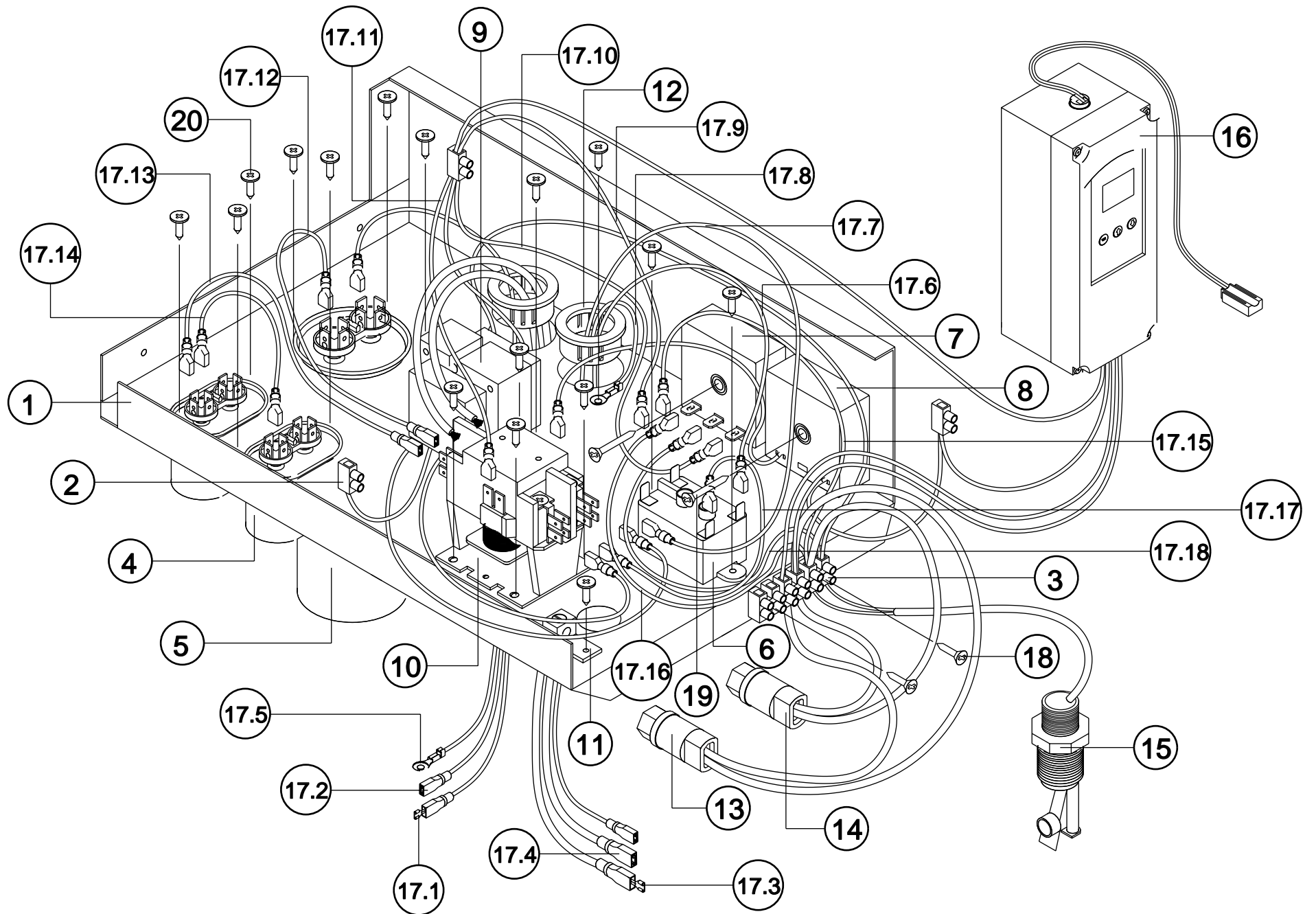


Index No .	Parts No .	Parts Name	Drawing No .	Type (Maker)	QTY.	Note
1	MAC036 030016	Control Shelf		GI#20	1	
2	MAC036 020019	Terminal 1 Pole			3	
3	MAC036 020020	Terminal 6 Pole			1	
4	MAC036 020021	Fan Capacitor				
	MAC036 020021-1	For 208/230			2	
	MAC036 020021-2	For 380/460			2	
5	MAC036 020022	Compressor Capacitor				
	MAC036 020022-1	For 1 Phase 208/230			1	
	MAC036 020022-2	For 3 Phase 208/230			1	
	MAC036 020022-3	For 3 Phase 380/460			1	
6	MAC036 020023	Pump Relay			1	
7	MAC036 020024	Bypass Timer			1	
8	MAC036 020025	Delay Timer			1	
9	MAC036 020026	Transformer			1	

Note 1. This part is not sold separately.



Index No .	Parts No .	Parts Name	Drawing No .	Type (Maker)	QTY.	Note
10	MAC036 020027	Contractor				
	MAC036 020027-1	For 1 Phase			1	
	MAC036 020027-2	For 3 Phase			1	
11	MAC036 020028	Ground Lug			1	
12	MAC036 010004	Bushing			2	
13	MAC036 020029	High Pressure			1	
14	MAC036 020030	Low Pressure			1	
15	MAC036 020031	Flow Switch			1	
16	MAC036 020032	Digital Temperature Control			1	
17	MAC036 0001W	Wire Set			1	
18	0700009	Drywall Screws		No 7 Lgth.5/8"	2	
19	0700002	Tapping Screws		No 8 Lgth.1/2"	3	
20	0700021	Tapping Screws		No 8 Lgth.5/16"	5	



NOTE

NOTE