

THA 2006
PL-MAC048-STD0001

MODEL OF CHILLER

MAC 048

FOR 48000 BTU.

PARTS LIST



MULTIAQUA, INC.

2701 S.W. 145 AVENUE, SUITE #220

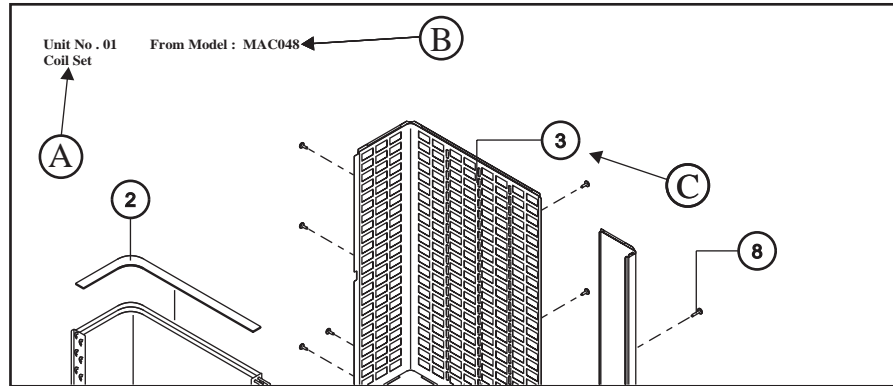
MIRAMAR, FLORIDA 33027 U.S.A.

Tel: (954) 431-1300 • Fax: (954) 431-1303 • email: support@multiaqua.com

www.multiaqua.com

2006/10-00

2. MAIN TEXT



Index No.	Parts No.	Parts Name	Drawing No.	Type (Marker)	QTY.	Note
1	MAC048	Coil 48x38x2R			1	
2	MAC048	Insulation For Coil		PE	1	
3	MAC048	Coil guard		EG#20	1	
4	MAC048	Rear Panel		EG#20	1	
5	MAC048	Top Side Panel		EG#20	1	
6	MAC048	Bottom Side Panel		EG#20	1	
7	MAC048	Access Door		EG#22	1	
8	0700001	Tapping Screws		No 8 Lgth.5/8"	4	

(A) Unit Number and Name

The Unit Number and Name are shown on relevant pages.

(B) Machine Model

The Model of machine corresponding to the information shown.

(C) Index Number

The Index Number for each part in a drawing is shown and corresponds to the list of parts for that drawing.

(D) Parts Number

The individual Code No for each part the Model MAC048 is shown.

(E) Parts Name

The Name (description) of each part.

(F) Drawing Number

The Number of drawing relevant to the part are given.

(G) Type (Maker)

The type description and manufacturer of each marketed item are shown.

(H) Quantity

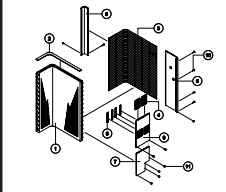
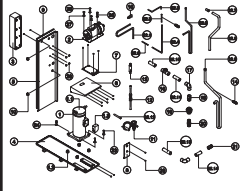
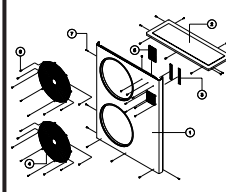
The quantity of each part used on the each MACpacitor.

(I) Notes

MACutions and notes necessary to the ordering of each part.

ORDER INSTRUCTIONS

1. Use the drawings in the Table of Contents to find the pages on which the part in question is shown in greater detail.

CONTENTS					
01	Coil Set	02	Compressor Set	03	Front Panel Set
1-2		3-4		5-6	

This units is shown on
Page 5~8



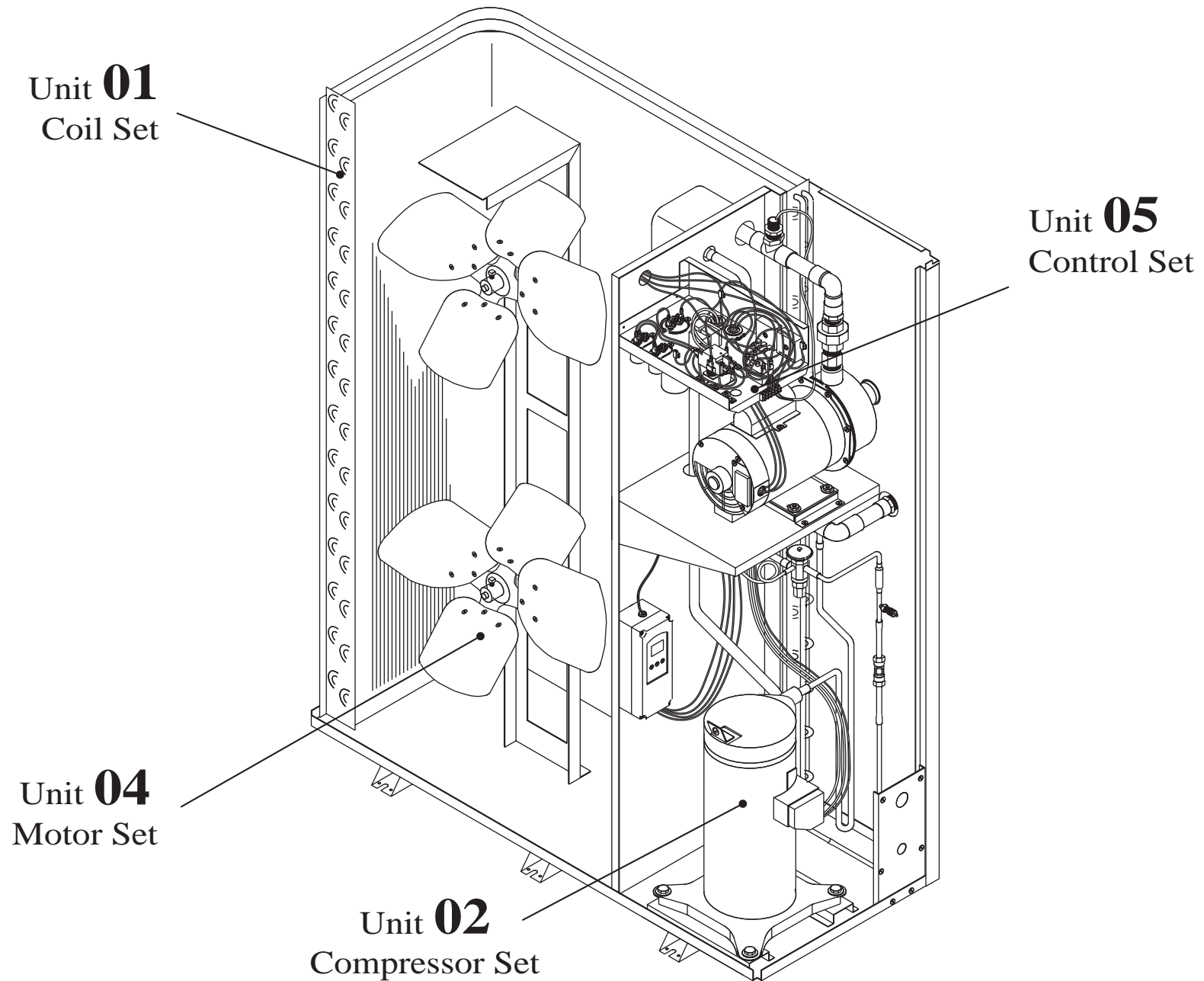
2. Spread out the referred pages.

3. Use the drawings and corresponding lists to confirm the specs, etc. Of the part in question.

4. When ordering, please supply the following information:

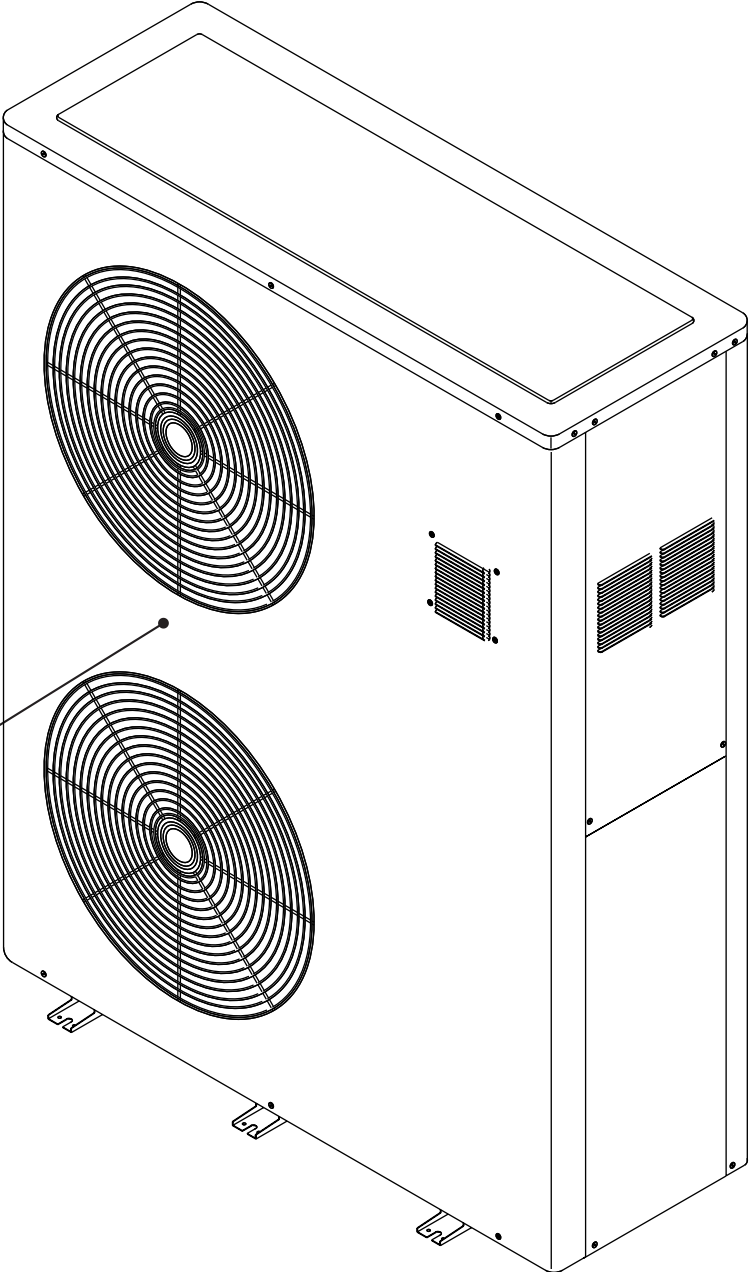
- (1) Machine Model
- (2) Serial number
- (3) Parts number
- (4) Parts name
- (5) Quantity

MACHINE COMPONENT

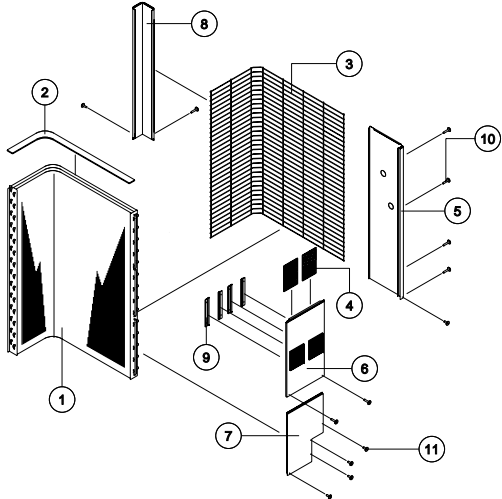
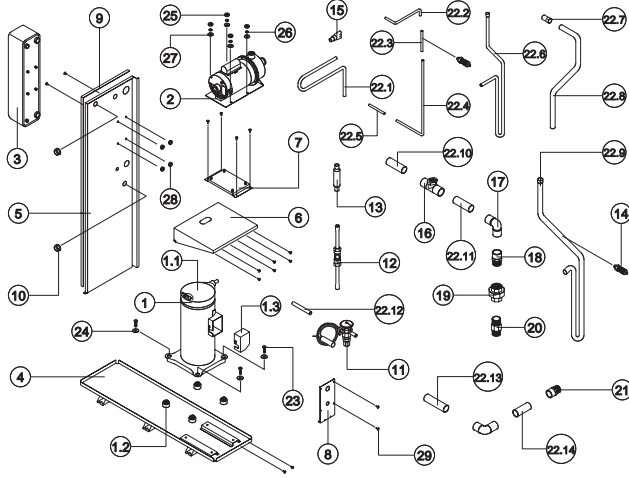
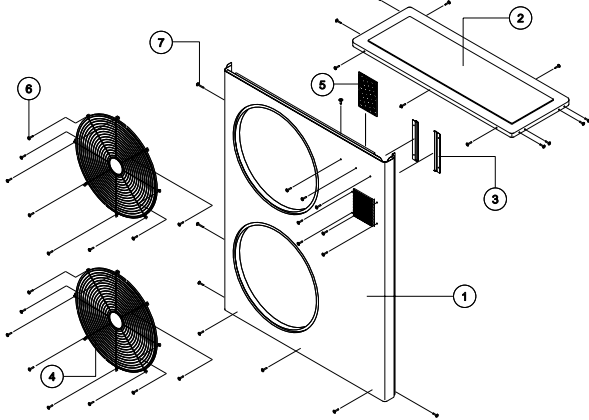
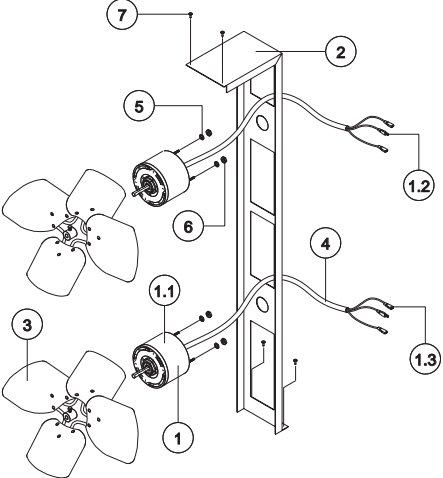
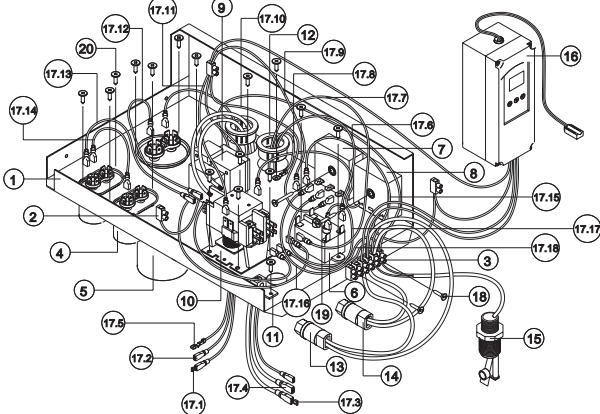


MACHINE COMPONENT

Unit **03**
Front Panel Set

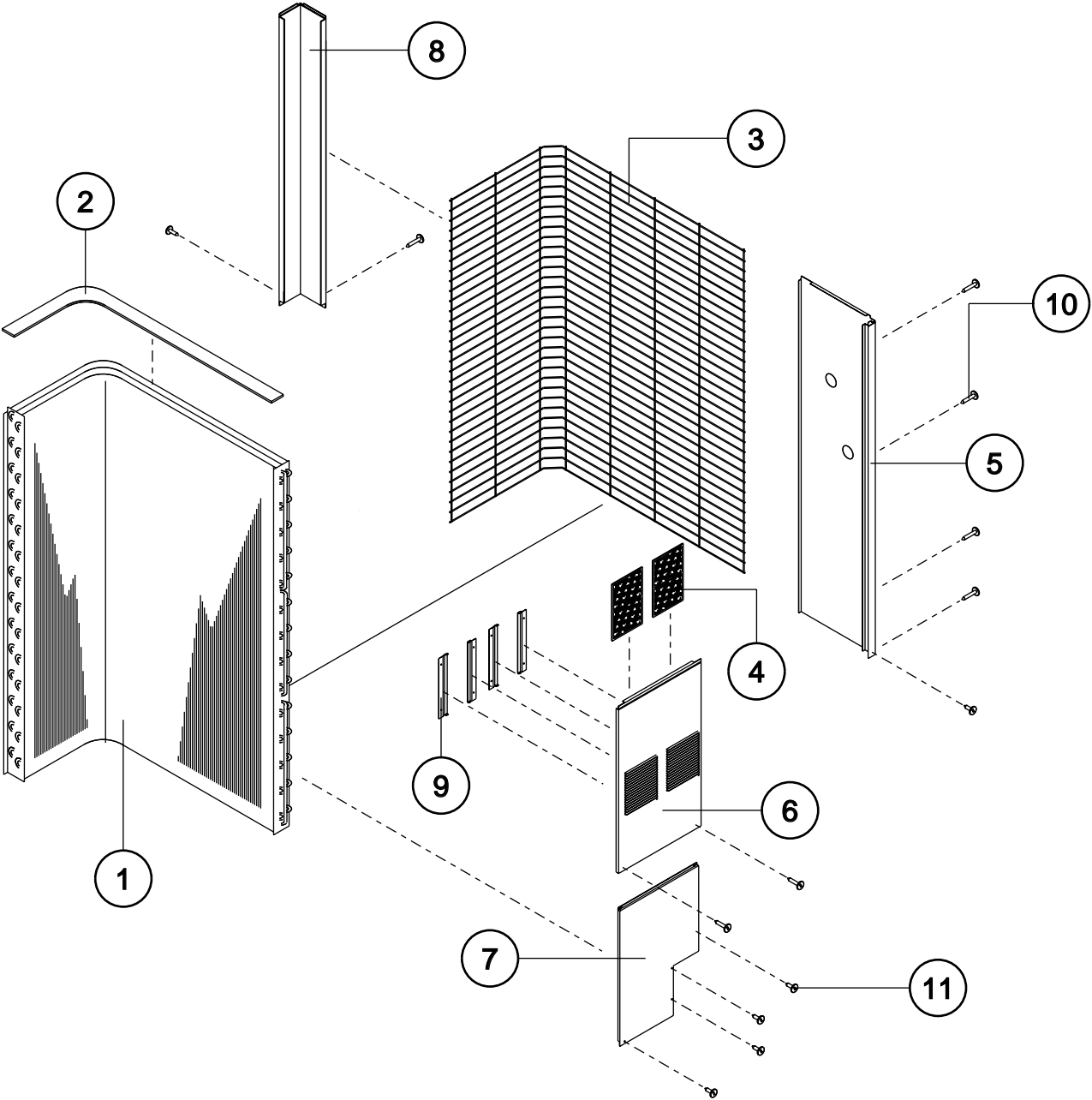


CONTENTS

01	Coil Set	02	Compressor Set	03	Front Panel Set
	1~2		3~6		7~8
					
04	Motor Set	05	Control and Wire Set		
	9~10		11~14		
					

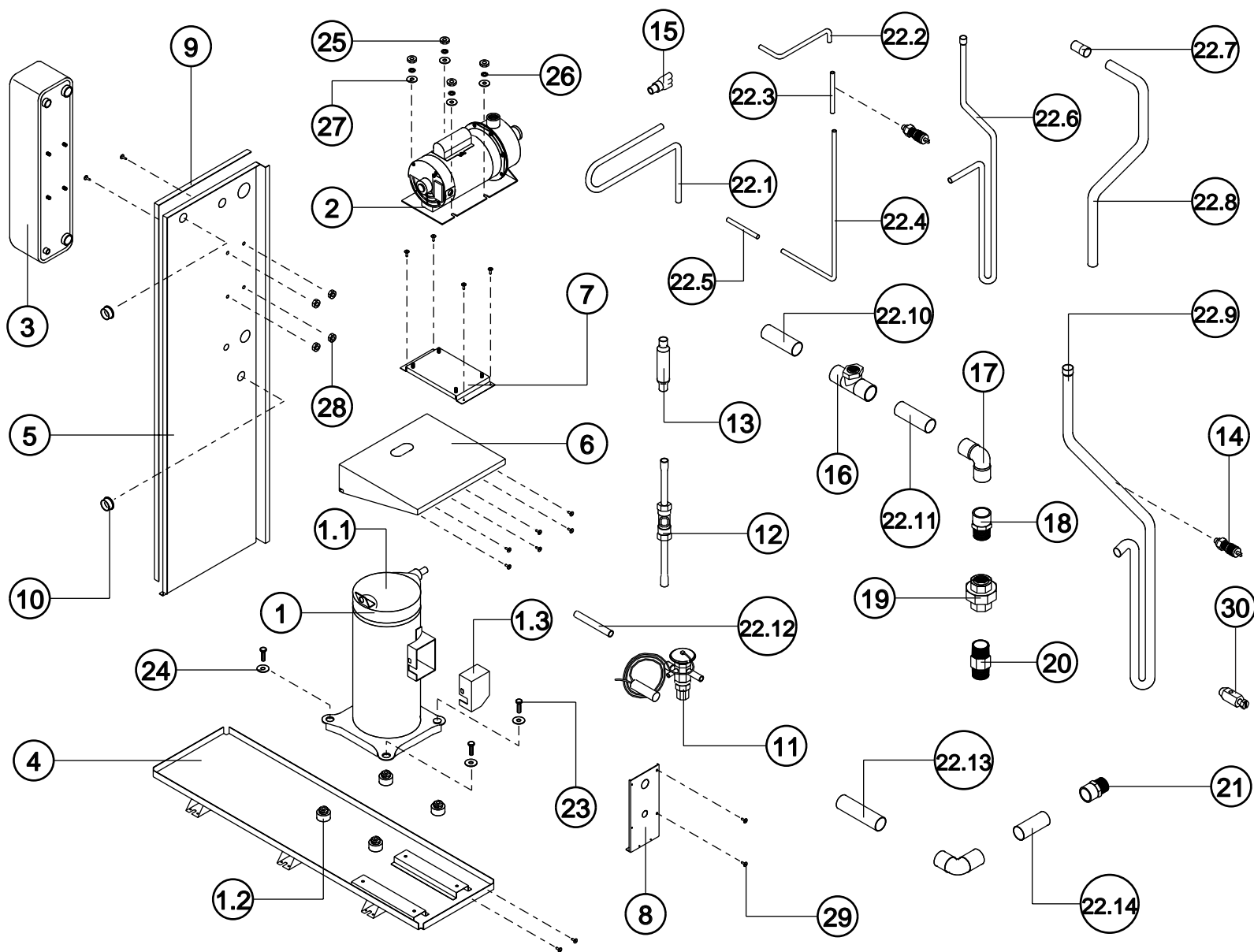
Unit No . 01
Coil Set

From Model : MAC048



Index No .	Parts No .	Parts Name	Drawing No .	Type (Maker)	QTY.	Note
1	MAC048 060001	Coil 48x38x2R			1	
2	MAC048 080001	Insulation For Coil		PE	1	
3	MAC048 030001	Coil guard			1	
4	MAC048 010001	Filter			2	
5	MAC048 030002	Rear Panel With Insulation		EG#20	1	
6	MAC048 030003	Right Side Panel With Insulation(Upper)		EG#20	1	
7	MAC048 030004	Right Side Panel With Insulation (Lower)		EG#22	1	
8	MAC048 030005	Support Frame Rear-Left		EG#20	1	
9	MAC048 030006	Support Filter		EG#20	4	
10	0700001	Tapping Screws		No 8 Lgth.5/8"	4	
11	0700002	Tapping Screws		No 8 Lgth.1/2"	15	

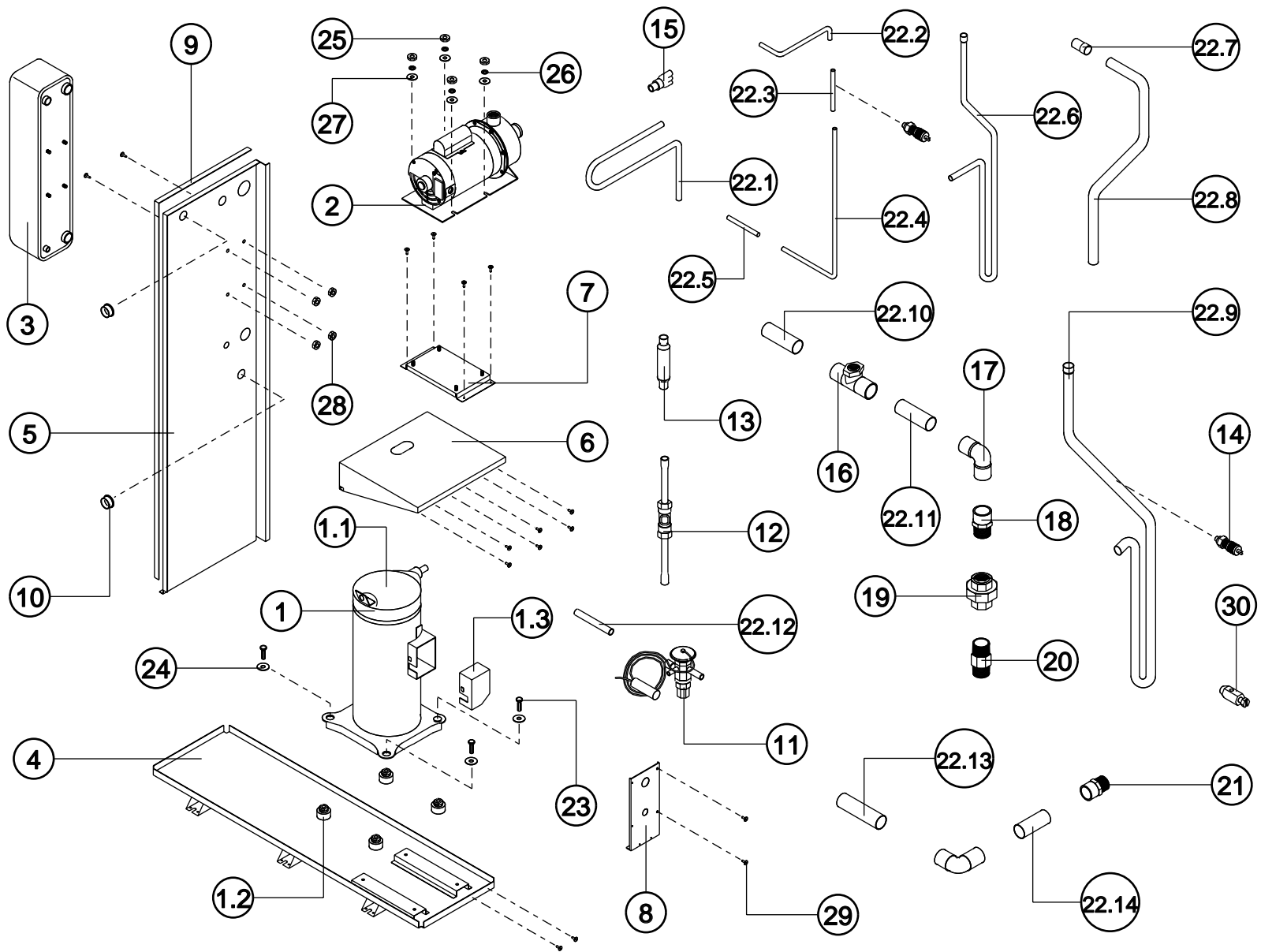
Unit No . 02 From Model : MAC048
Compressor Set



Index No .	Parts No .	Parts Name	Drawing No .	Type (Maker)	QTY.	Note
1	MAC048 0001C	Compressor Set			1	See Note 1.
1.1	MAC048 020001	Compressor				
	MAC048 020001-1	For MAC-048-01-N			1	
	MAC048 020001-2	For MAC-048-02-N			1	
	MAC048 020001-3	For MAC-048-03-N			1	
2	MAC048 020002	Pump				
	MAC048 020002-1	For 208/230V			1	
	MAC048 020002-2	For 380/460			1	
3	MAC048 020003	Heat Exchanger With Insulation			1	
4	MAC048 030007	Base Pan Assembly		EG #18	1	
5	MAC048 030008	Partition With Insulation			1	
6	MAC048 030009	Panel Bottom Pump		GI#16	1	
7	MAC048 030010	Support Pump		GI#18	1	
8	MAC048 030011	Electrical Entry Panel			1	
9	MAC048 080002	Insulation For Partition			1	
10	MAC048 010002	Bushing			3	

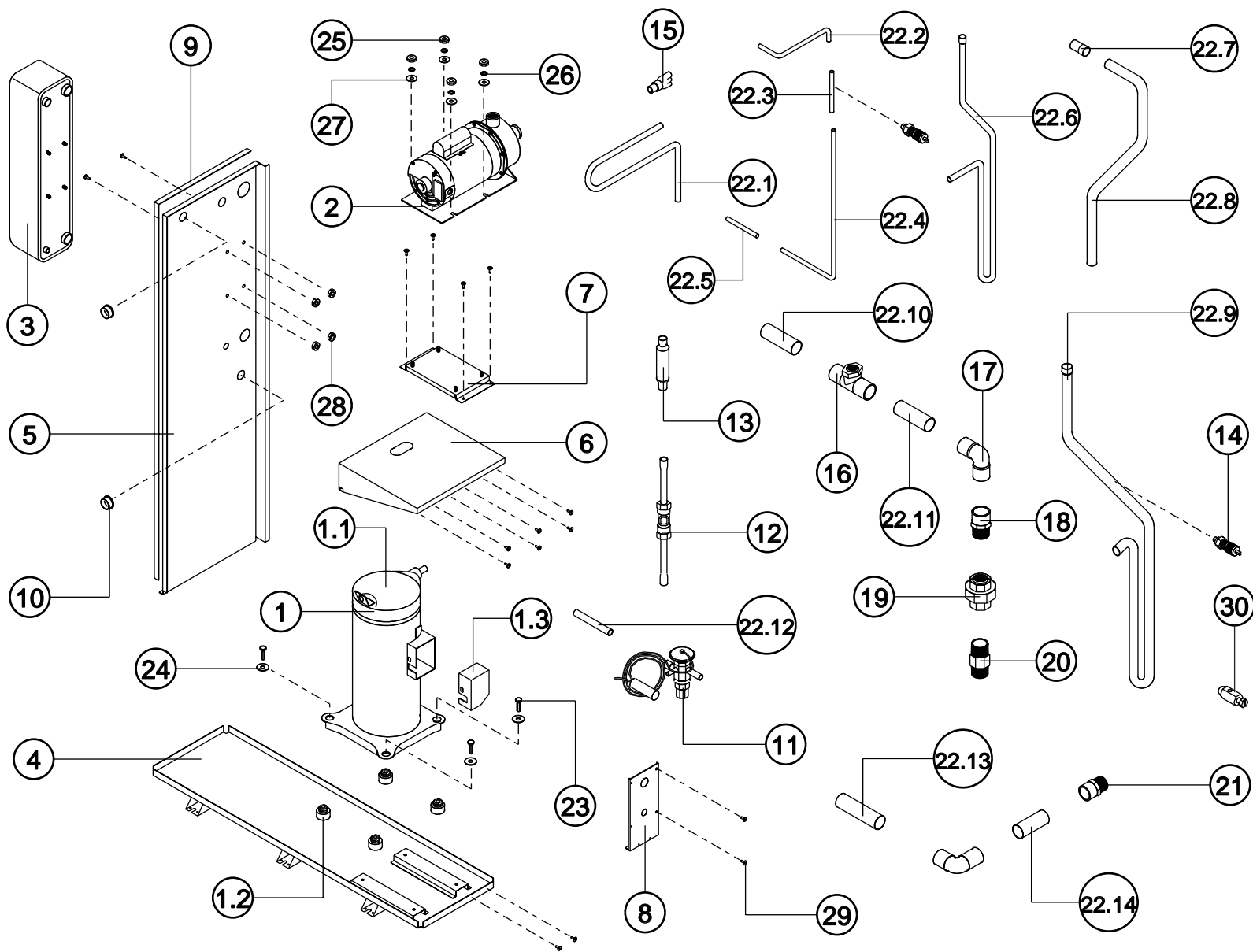
Note 1. This part is not sold separately.

Unit No . 02 From Model : MAC048
 Compressor Set

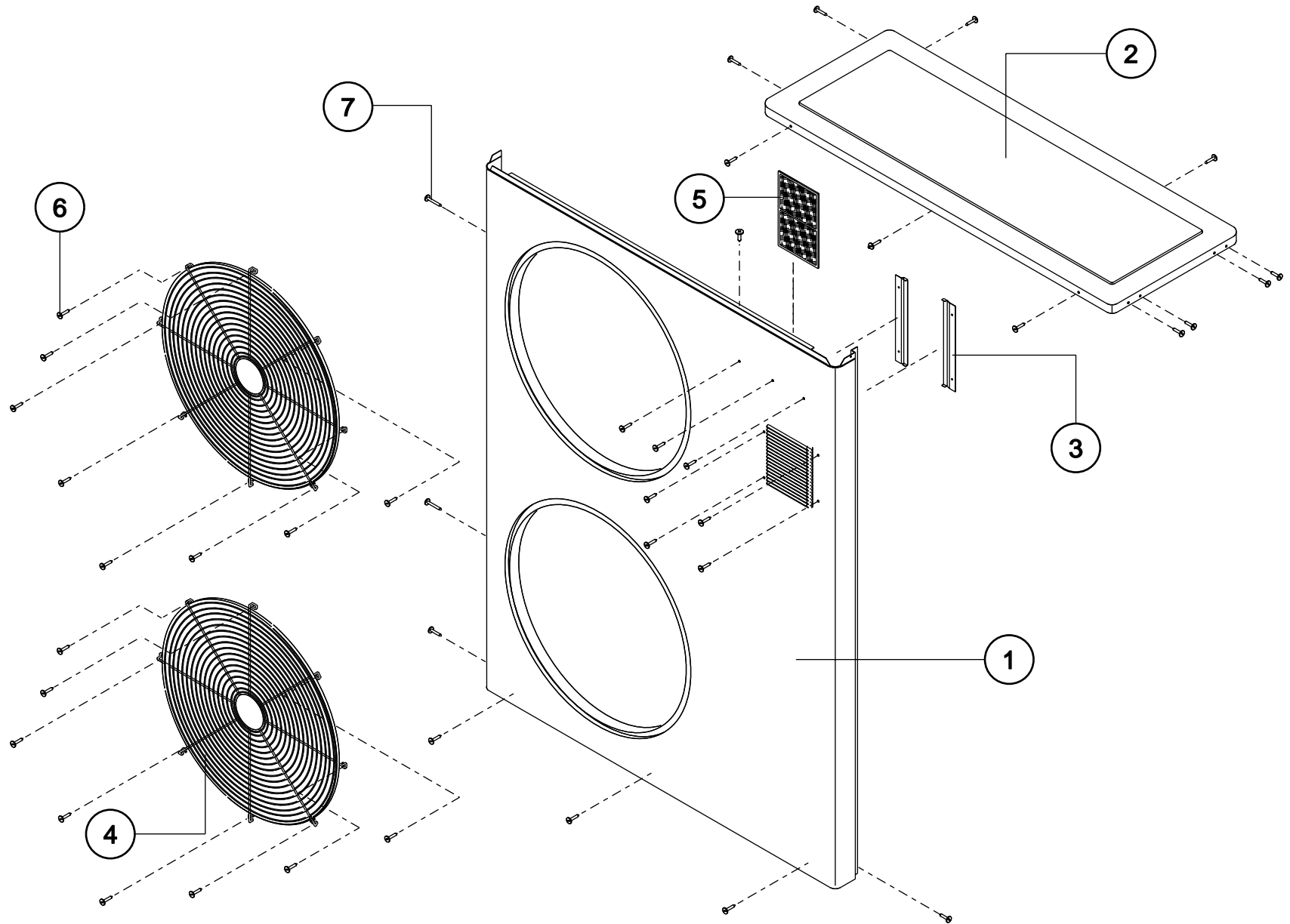


Index No .	Parts No .	Parts Name	Drawing No .	Type (Maker)	QTY.	Note
11	MAC048 020004	Expansion Valve		BBIVE-6GA-BP/20	1	
12	MAC048 020005	Sight Glass			1	
13	MAC048 020006	Strainer			1	
14	MAC048 020007	Access Valve			4	
15	MAC048 020008	Three Chanel Distributor			1	
16	MAC048 020009	Solder Fitting Tee 3/4"			1	
17	MAC048 020010	Elbow			2	
18	MAC048 020011	Solder Male Adaptor			1	
19	MAC048 020012	Straight Union Conical Seat			1	
20	MAC048 020013	Nipple 1-1/4"			1	
21	MAC048 020014	Solder Male Adaptor 1-1/8"			1	
22	MAC048 080003	Copper Set			1	
23	0700022	MACp Screws		5/16"Lght.1-1/2"	4	
24	0700005	Flat Washer		I.D. 5/16"	4	
25	0700022	Nut		5/16"Lght.1-1/2"	4	
26	0700005	Spring Washer		I.D. 5/16"	4	

Unit No . 02 From Model : MAC048
 Compressor Set

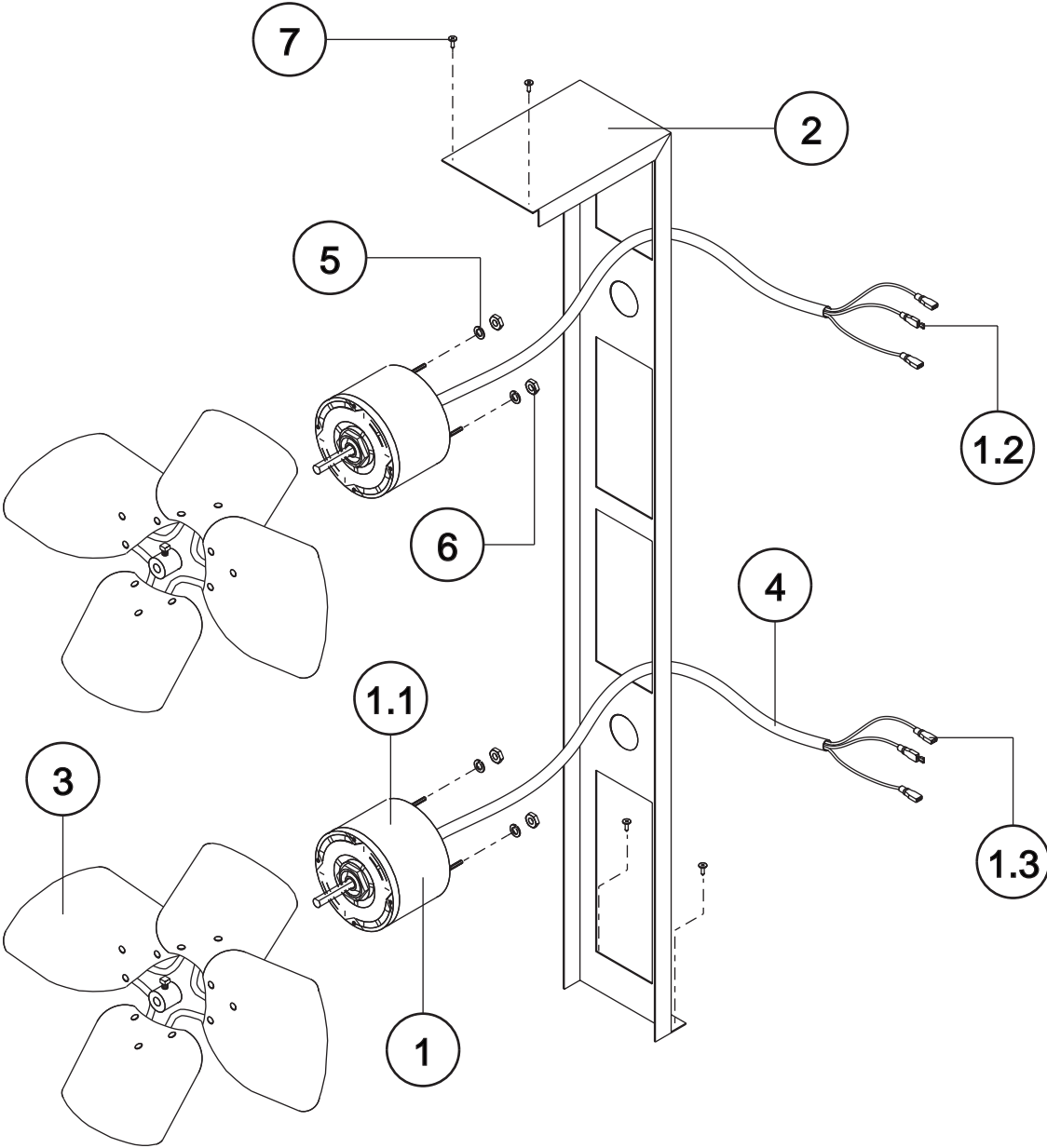


Unit No . 03 From Model : MAC048
Front Panel Set



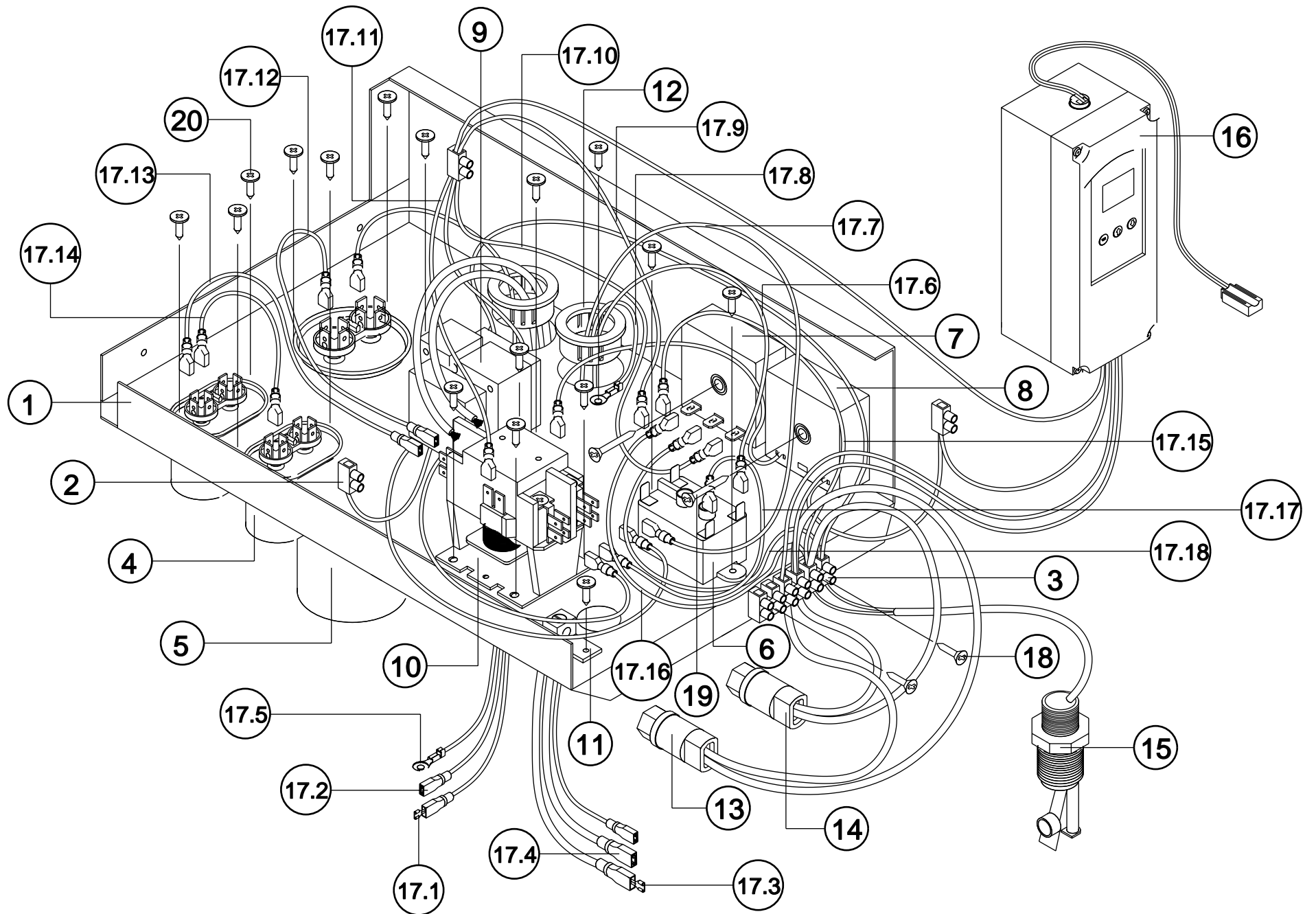
Unit No . 04
Motor Set

From Model : MAC048



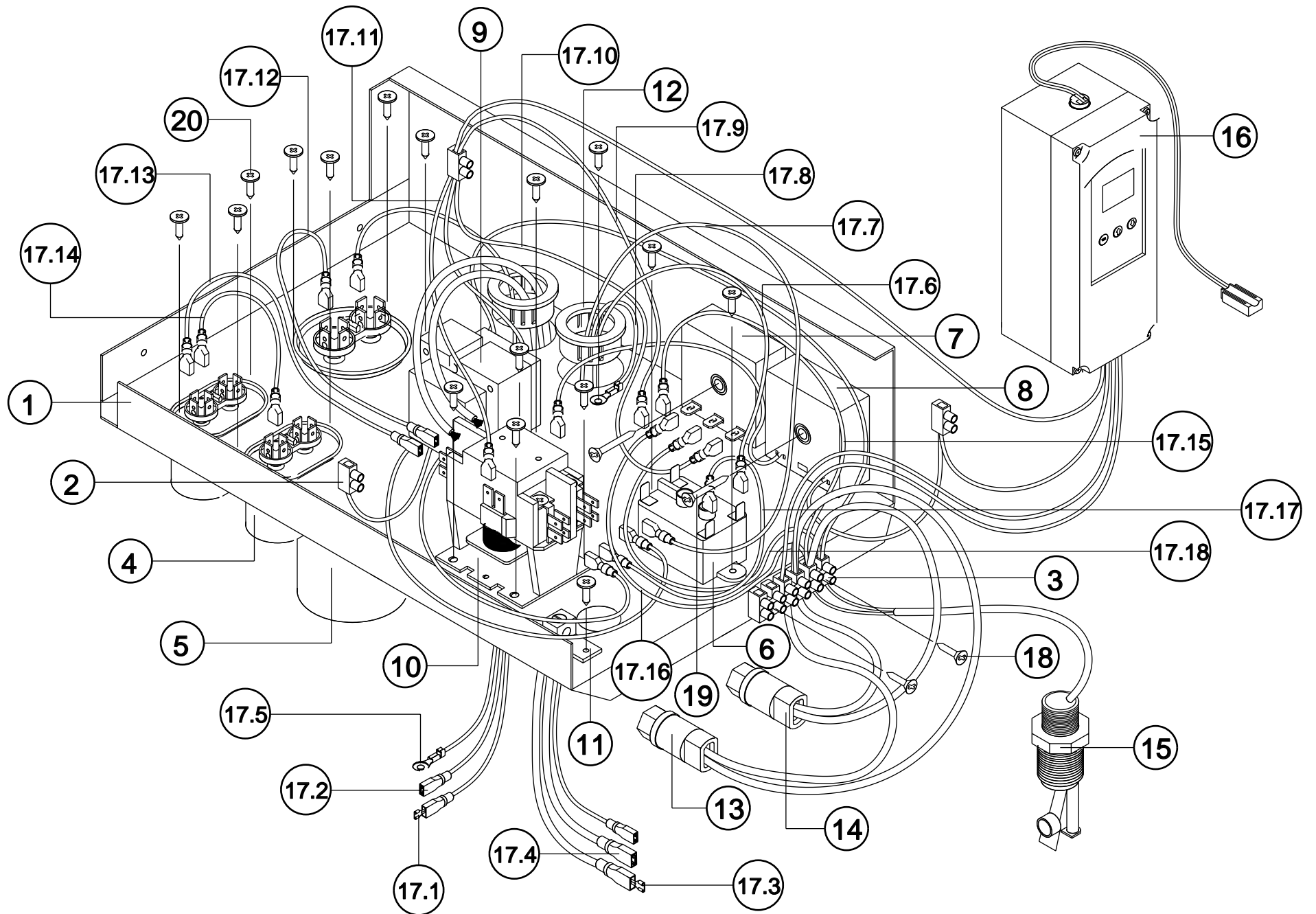
Index No .	Parts No .	Parts Name	Drawing No .	Type (Maker)	QTY.	Note
1	MAC048 020016	Motor Assy				
	MAC048 020016-1	For 208/230		1/10 HP	2	
	MAC048 020016-2	For 380/460		1/10 HP	2	
2	MAC048 030015	Motor Support Bracket		GL#18	1	
3	MAC048 020017	Fan Blade		18"	2	
4	MAC048 020018	PVC Tube		1/2"x135cm.	2	
5	0700012	Spring Washer		For M5	8	
6	0700014	Nut		M5	8	
7	0700002	Tapping Screws		No 8 Lgth.1/2"	4	

Note 1. This part is not sold separately.

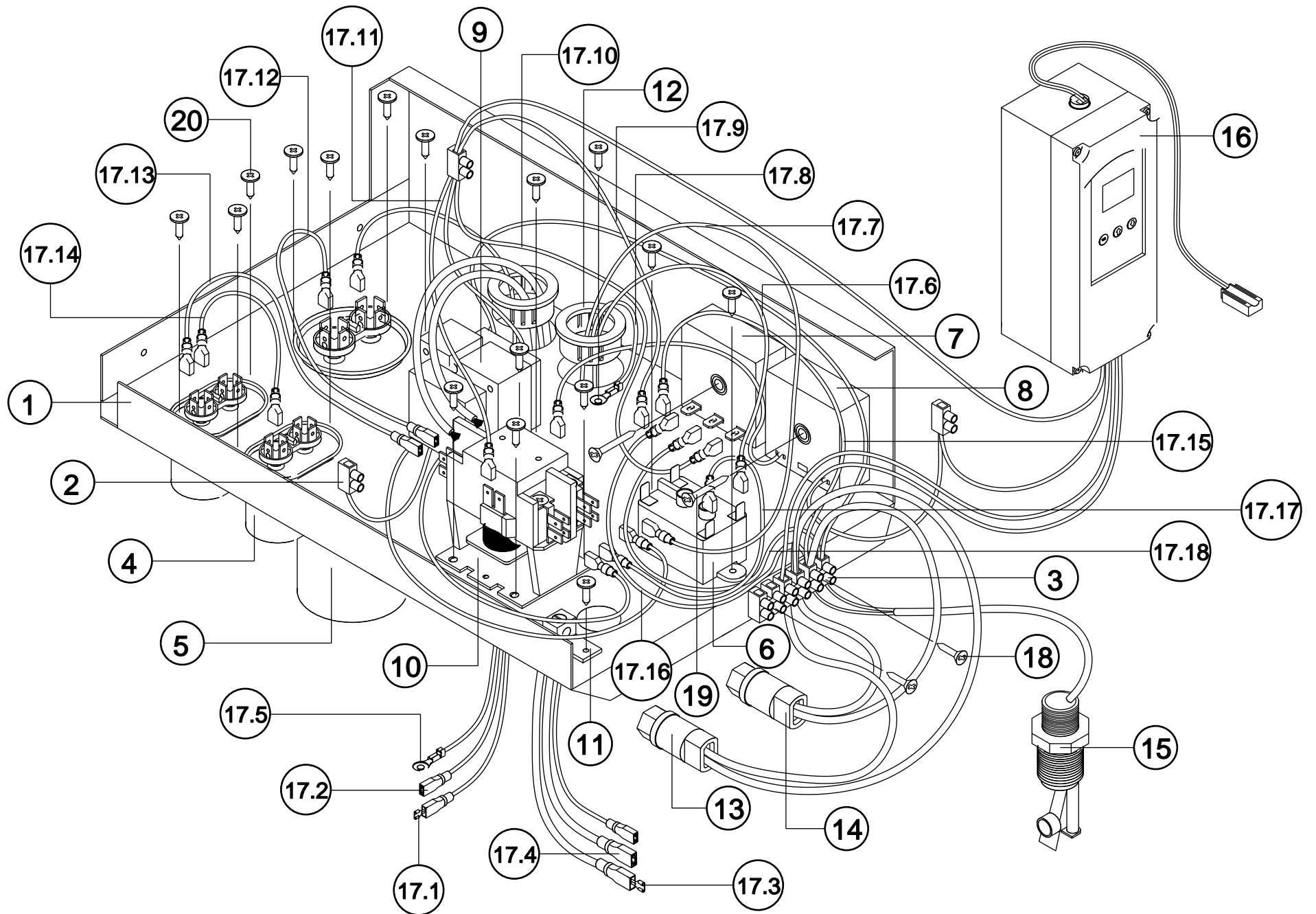


Index No .	Parts No .	Parts Name	Drawing No .	Type (Maker)	QTY.	Note
1	MAC048 030016	Control Shelf		GI#20	1	
2	MAC048 020019	Terminal 1 Pole			3	
3	MAC048 020020	Terminal 6 Pole			1	
4	MAC048 020021	Fan Capacitor				
	MAC048 020021-1	For 208/230			2	
	MAC048 020021-2	For 380/460			2	
5	MAC048 020022	Compressor Capacitor				
	MAC048 020022-1	For 1 Phase 208/230			1	
	MAC048 020022-2	For 3 Phase 208/230			1	
	MAC048 020022-3	For 3 Phase 380/460			1	
6	MAC048 020023	Pump Relay			1	
7	MAC048 020024	Bypass Timer			1	
8	MAC048 020025	Delay Timer			1	
9	MAC048 020026	Transformer			1	

Note 1. This part is not sold separately.



Index No .	Parts No .	Parts Name	Drawing No .	Type (Maker)	QTY.	Note
10	MAC048 020027	Contractor				
	MAC048 020027-1	For 1 Phase			1	
	MAC048 020027-2	For 3 Phase			1	
11	MAC048 020028	Ground Lug			1	
12	MAC048 010004	Bushing			2	
13	MAC048 020029	High Pressure			1	
14	MAC048 020030	Low Pressure			1	
15	MAC048 020031	Flow Switch			1	
16	MAC048 020032	Digital Temperature Control			1	
17	MAC048 0001W	Wire Set			1	
18	0700009	Drywall Screws		No 7 Lgth.5/8"	2	
19	0700002	Tapping Screws		No 8 Lgth.1/2"	3	
20	0700021	Tapping Screws		No 8 Lgth.5/16"	5	



NOTE

NOTE