

THA 2006

PL-MAC120-STD0001

MODEL OF CHILLER

MAC 120

FOR 120000 BTU.

PARTS LIST



MULTIAQUA, INC.

2701 S.W. 145 AVENUE, SUITE #220

MIRAMAR, FLORIDA 33027 U.S.A.

Tel: (954) 431-1300 • Fax: (954) 431-1303 • email: support@multiaqua.com

www.multiaqua.com

2006/10-01

GENERAL INFORMATION

This parts list shows all the parts used in your condensing for model MAC120.

Please file this parts list for reference and refer to it when you order parts or maintain the condensing.

This edition has been divided into section. Each section corresponds to one of the 5 different units making up the air condition.

Unit No.

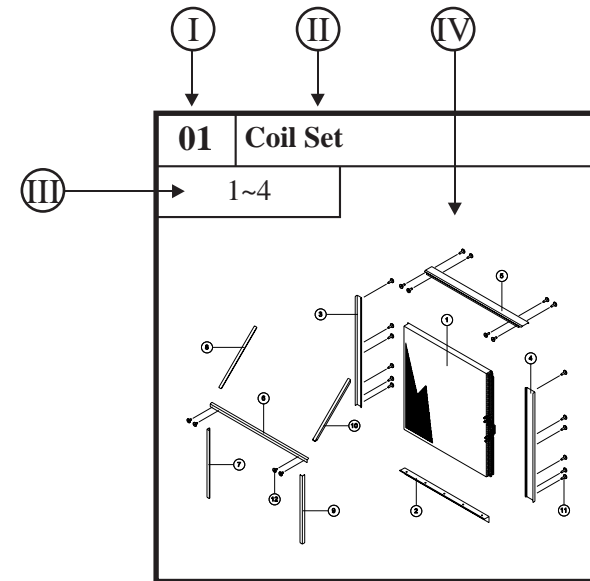
- 01 Coil set
- 02 Compressor set
- 03 Front Panel set
- 04 Motor set
- 05 Control and Wire Set

The scale used on each page of drawing is different. Please be aware that parts may seem to be different sizes on different pages.

Specifications subject to change without notice.

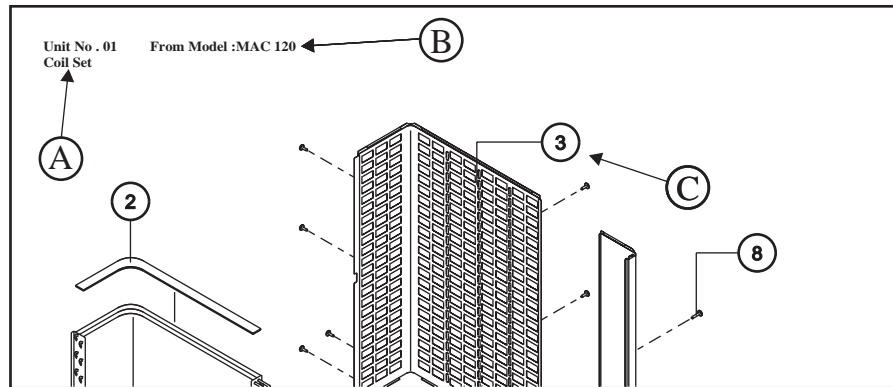
INTRODUCTION

1. TABLE OF CONTENTS



- Ⓚ Unit number
- Ⓛ Unit Name
- Ⓜ Corresponding Page Nos.
- Ⓝ Assembly drawings shown in the main text.

2. MAIN TEXT



Index No.	Parts No.	Parts Name	Drawing No.	Type (Marker)	QTY.	Note
1	MAC120 060001	Coil 52x48x3R			1	
2	MAC120 080001	Cover Bottom Coil		PE	1	
3	MAC120 030001	Coil guard		EG#20	1	
4	MAC120 030002	Rear Panel		EG#20	1	
5	MAC120 030012	Top Side Panel		EG#20	1	
6	MAC120 030013	Bottom Side Panel		EG#20	1	
7	MAC120 030014	Access Door		EG#22	1	
8	0700001	Tapping Screws		No 8 Lgth.5/8"	4	

(A) Unit Number and Name

The Unit Number and Name are shown on relevant pages.

(B) Machine Model

The Model of machine corresponding to the information shown.

(C) Index Number

The Index Number for each part in a drawing is shown and corresponds to the list of parts for that drawing.

(D) Parts Number

The individual Code No for each part the Model MAC 120 is shown.

(E) Parts Name

The Name (description) of each part.

(F) Drawing Number

The Number of drawing relevant to the part are given.

(G) Type (Maker)

The type description and manufacturer of each marketed item are shown.

(H) Quantity

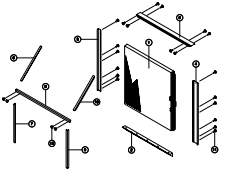
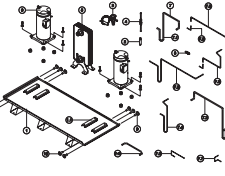
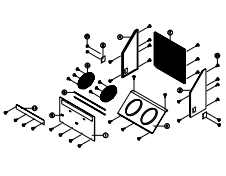
The quantity of each part used on the each capacitor.

(I) Notes

Cautions and notes necessary to the ordering of each part.

ORDER INSTRUCTIONS

1. Use the drawings in the Table of Contents to find the pages on which the part in question is shown in greater detail.

CONTENTS					
01	Coil Set	02	Compressor Set	03	Front Panel Set
1-2		3-4		5-6	

This units is shown on
Page 5~8



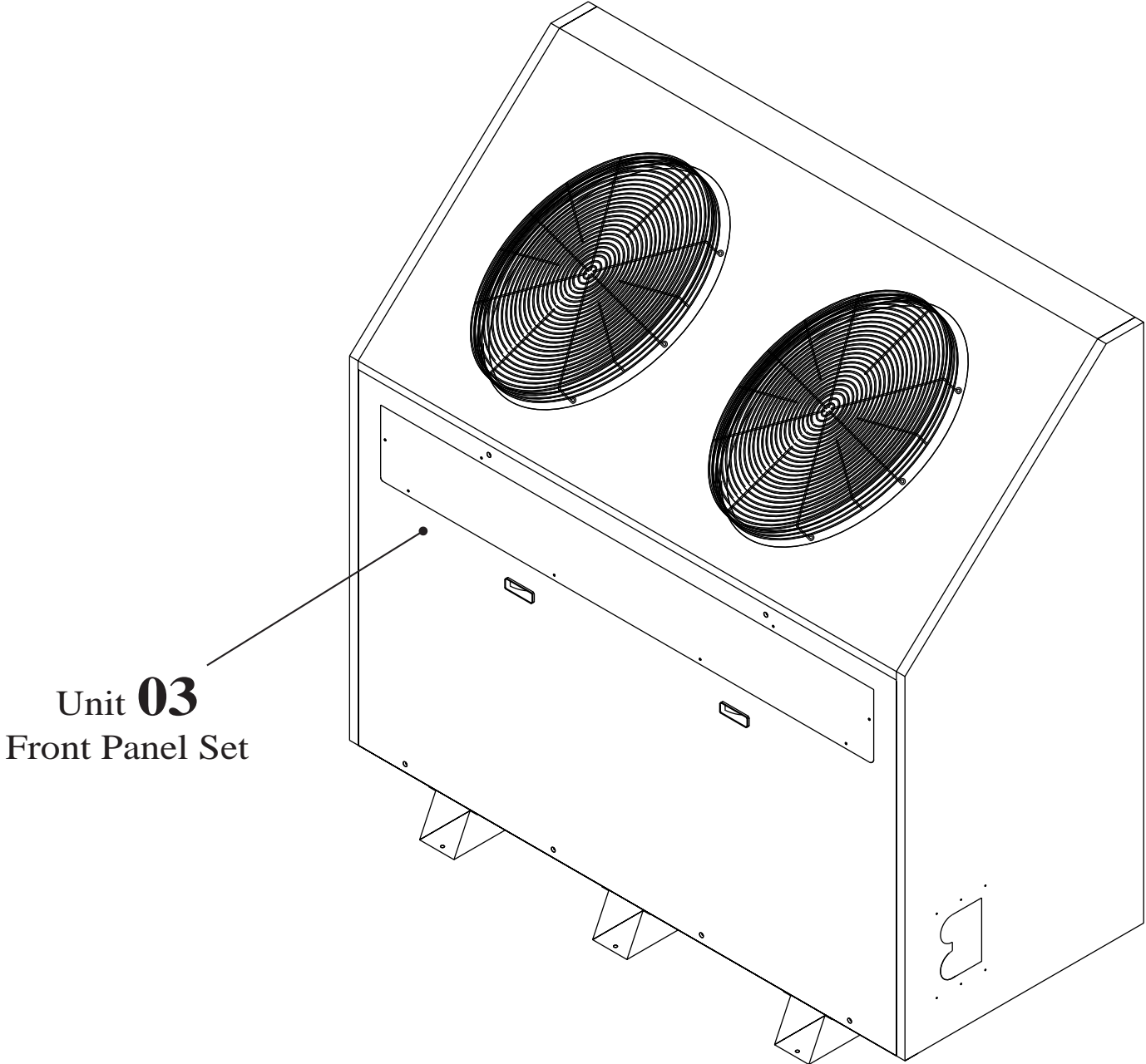
3. Use the drawings and corresponding lists to confirm the specs, etc. Of the part in question.

4. When ordering, please supply the following information:

- (1) Machine Model
- (2) Serial number
- (3) Parts number
- (4) Parts name
- (5) Quantity

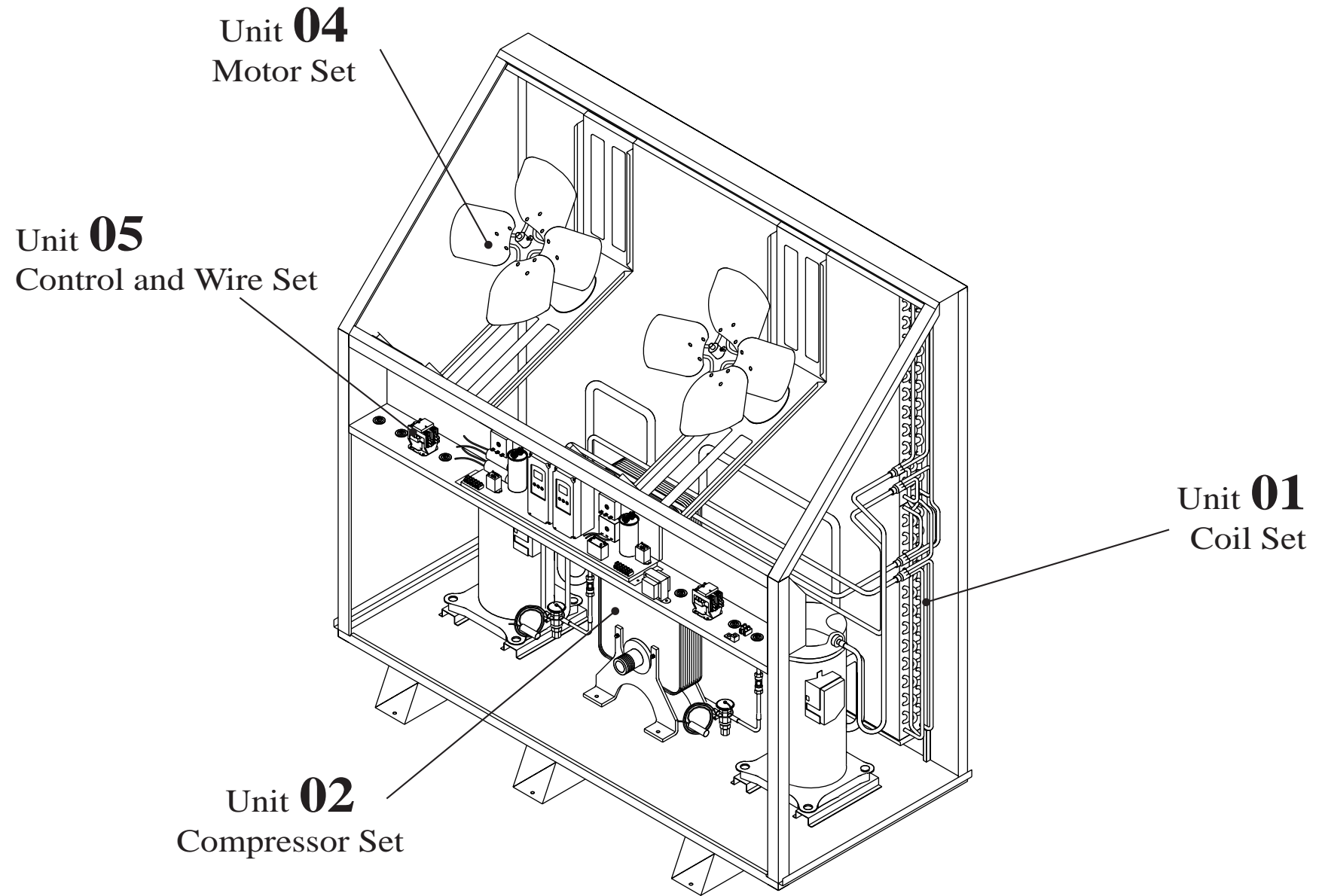
2. Spread out the referred pages.

MACHINE COMPONENT

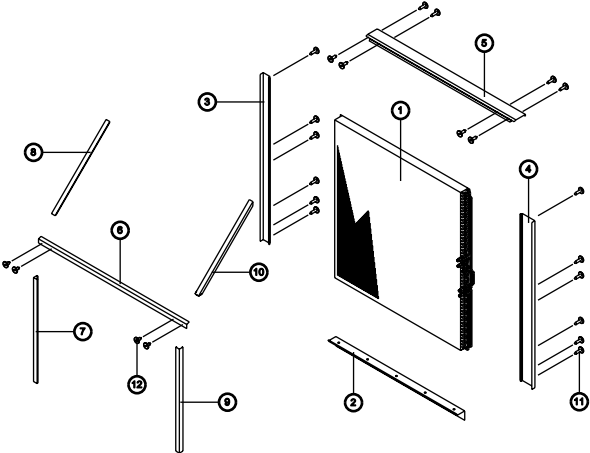
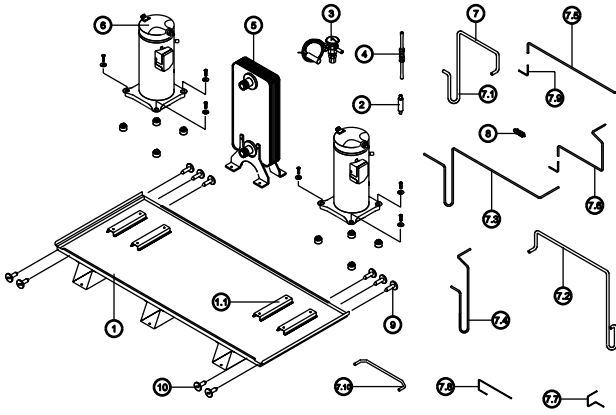
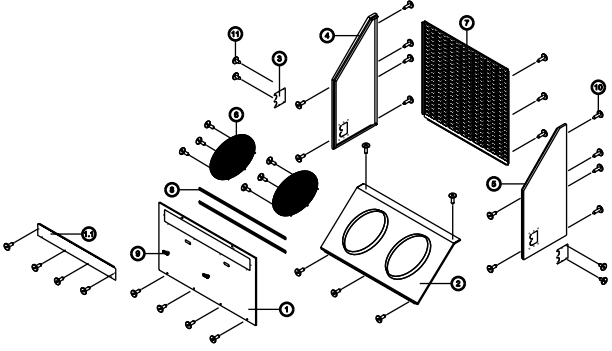
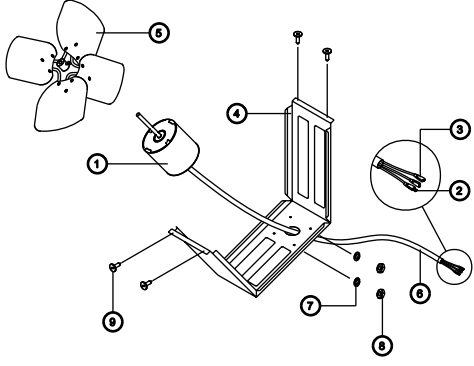
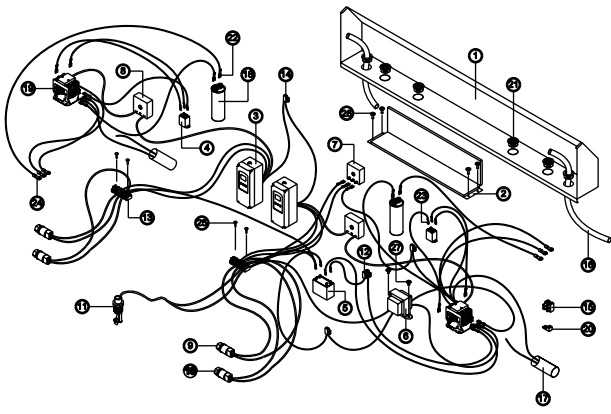


Unit 03
Front Panel Set

MACHINE COMPONENT

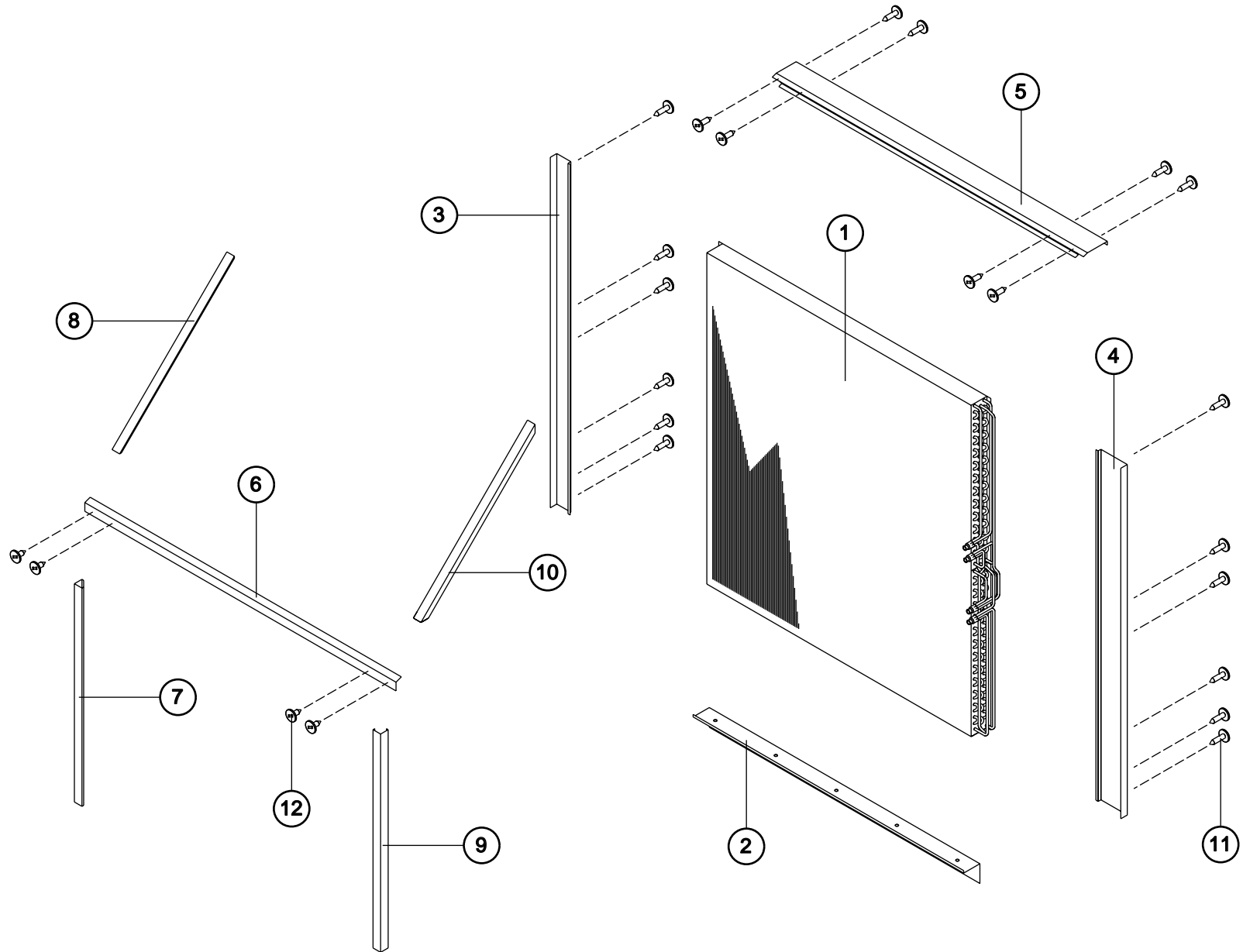


CONTENTS

01	Coil Set	02	Compressor Set	03	Front Panel Set
1~2		3~6		7~8	
					
04	Motor Set	05	Control and Wire Set		
9~10		11~14			
					

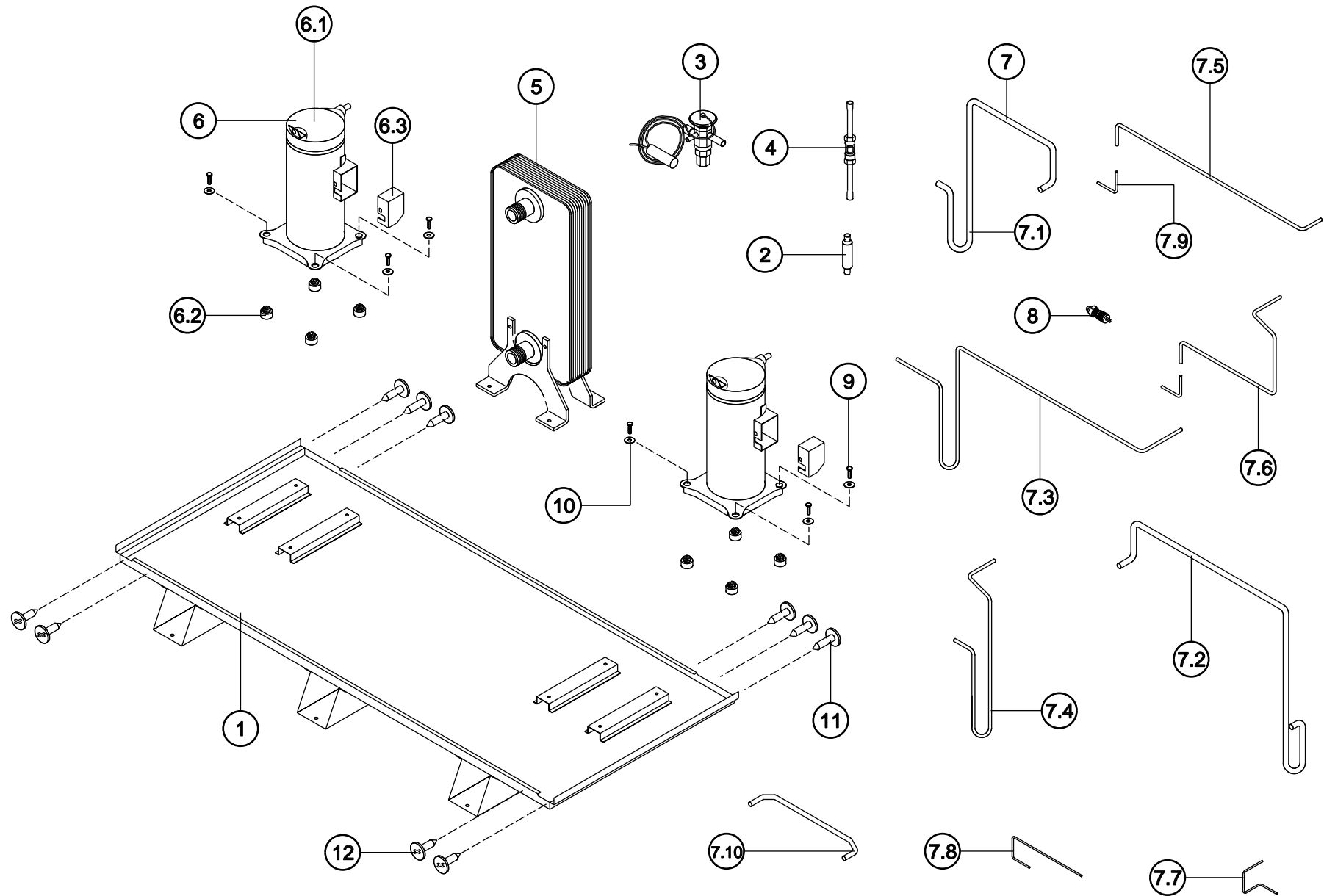
Unit No . 01
Coil Set

From Model : MAC120



Index No .	Parts No .	Parts Name	Drawing No .	Type (Maker)	QTY.	Note
1	MAC120 060001	Coil 52x48x3R			1	
2	MAC120 030001	Cover Bottom Coil		GI#20	1	
3	MAC120 030002	Support Frame Rear - Left		GI#16	1	
4	MAC120 030003	Support Frame Rear - Right		GI#16	1	
5	MAC120 030004	Frame Top		GI#16	1	
6	MAC120 030005	Support Side Frame - Upper		GI#16	1	
7	MAC120 030006-2	Support Side Frame - Left (P.2)		GI#16	1	
8	MAC120 03006-1	Support Side Frame - Left (P.1)		GI#16	1	
9	MAC120 030007-2	Support Side Frame - Right (P.2)		GI#16	1	
10	MAC120 030007-1	Support Side Frame - Right (P.1)		GI#16	1	
11	0700001	Tapping Screws		No 8 Lgth.5/8"	4	
12	0700002	Tapping Screws		No 8 Lgth.1/2"	15	

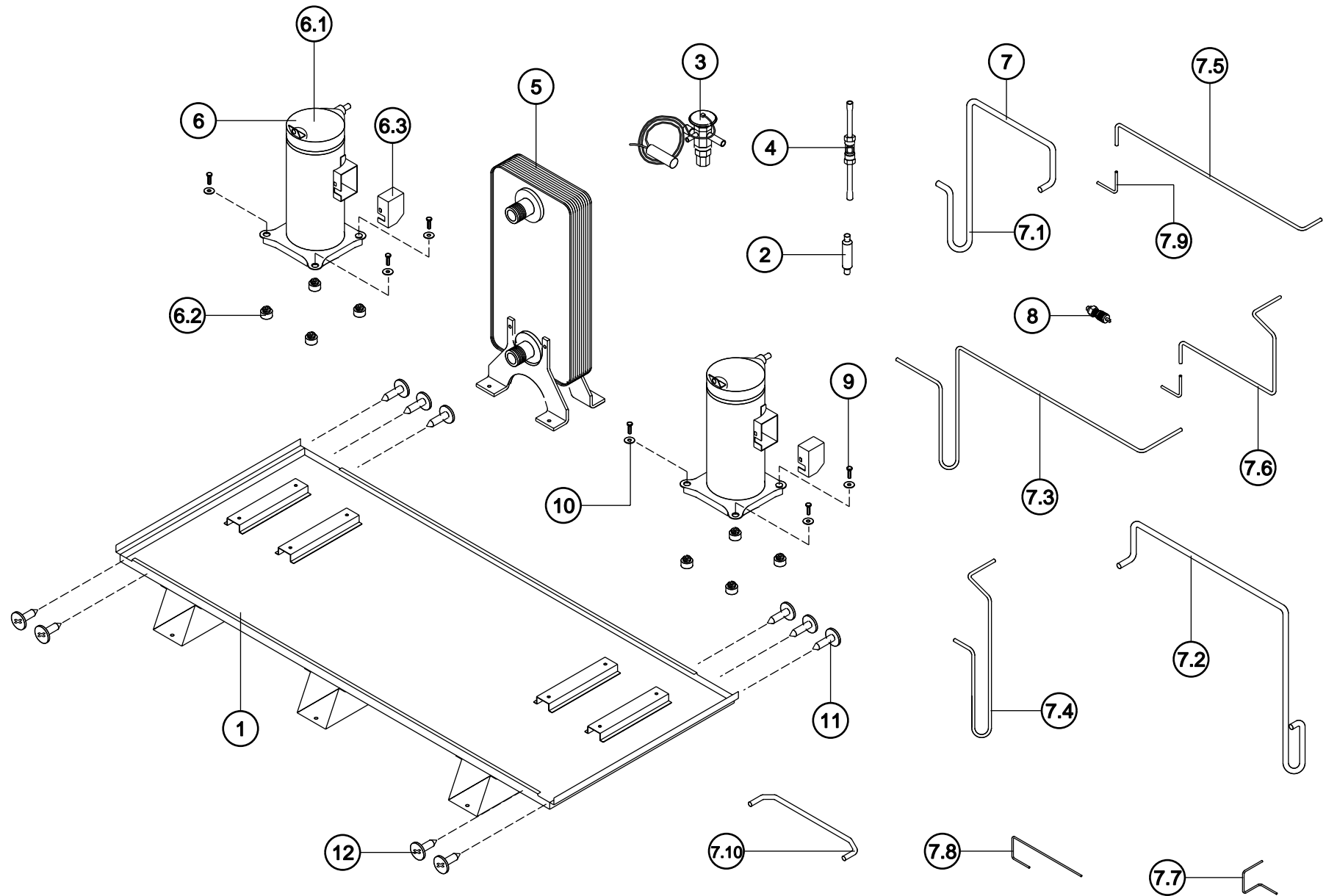
Unit No . 02 From Model : MAC120
Compressor Set



Index No .	Parts No .	Parts Name	Drawing No .	Type (Maker)	QTY.	Note
1	MAC120 030008	Pan Assembly		EG#16	1	See Note 1.
1.1	MAC120 030009	Base Pan Assembly		EG#16	3	
	MAC120 020017	Flare nut		7/8"	2	
	MAC120 020018	Flare nut		1/2"	2	
2	MAC120 020019	Strainer		1 WAY	2	
3	MAC120 020020	Expansion Valve		BBIVE-6GA-BP/20	2	
4	MAC120 020021	Sight glasses			2	
5	MAC120 020022	Heat Exchanger		10 Ton	1	
6	MAC120 020001	Compressor		ZR 61K3-PFV-230	2	
	MAC120 020019	Copper Reducing Tee		1-5/8x1-5/8x1-1/8	1	
	MAC120 020023	Union		1-5/8"	2	
	MAC120 020024	Female Adapter		1-5/8"x1-1/2"	2	
7	MAC120 080001	Copper Set				
7.1	MAC120 080001-1	Copper Tube		7/8" x 120 CM	1	
7.2	MAC120 080001-2	Copper Tube		7/8" x 150 CM	1	
7.3	MAC120 080001-3	Copper Tube		1/2" x 200 CM	1	

Note 1. This part is not sold separately.

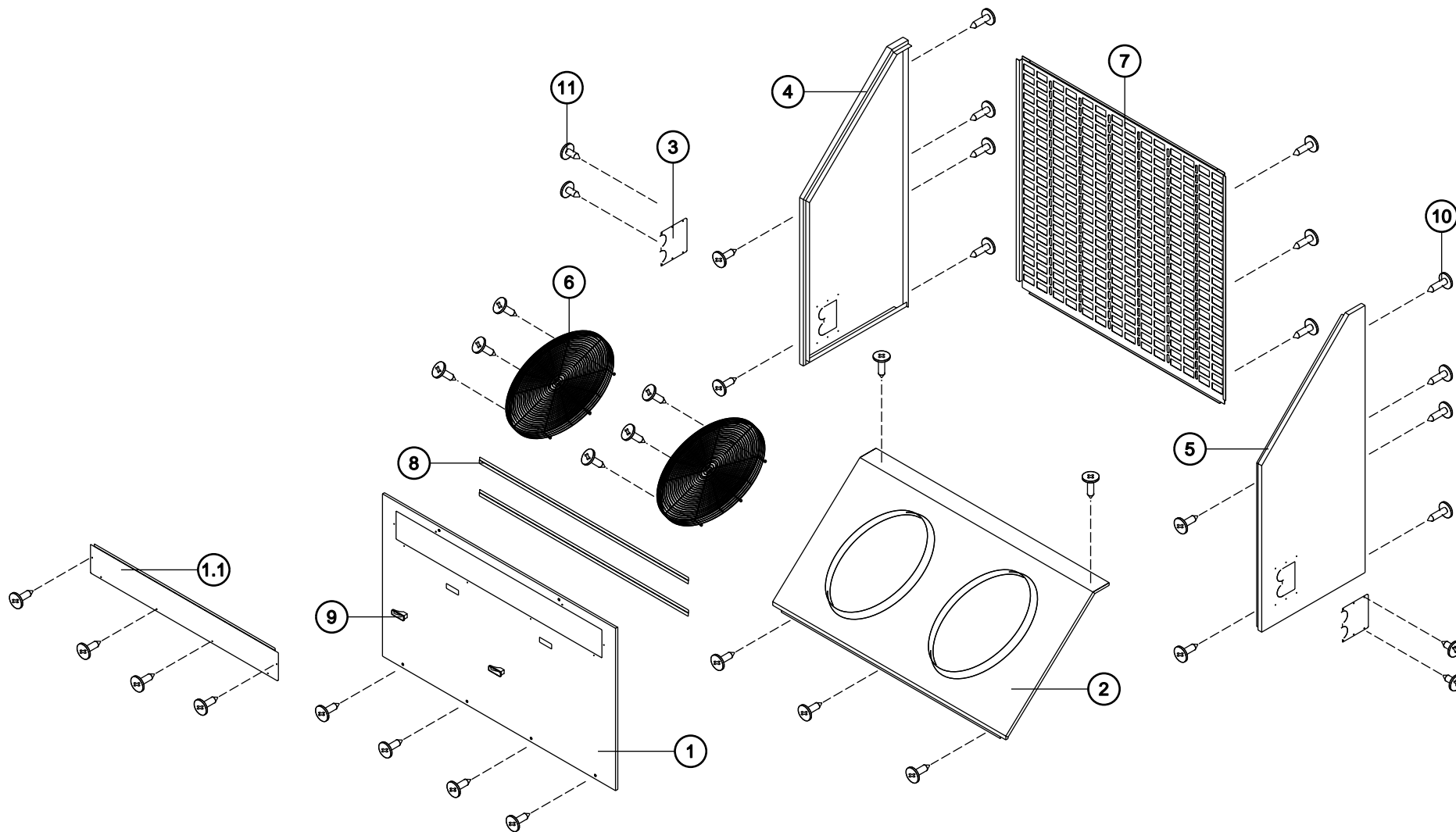
Unit No . 02 From Model : MAC120
Compressor Set



Index No .	Parts No .	Parts Name	Drawing No .	Type (Maker)	QTY.	Note
7.4	MAC120 080001-4	Copper Tube		½"x 135 CM		
7.5	MAC120 080001-5	Copper Tube		½"x 105 CM	1	
7.6	MAC120 080001-6	Copper Tube		½"x 73 CM	1	
7.7	MAC120 080001-7	Copper Tube		1/4" x 50 CM	1	
7.8	MAC120 080001-8	Copper Tube		1/4" x 34 CM	1	
7.9	MAC120 080001-9	Copper Tube		1/4" x 34 CM	1	
8	MAC120 020002	Access Valve		3/16"	6	
9	0700022	Cap Screws		5/16"Lght.1-1/2"	4	
10	0700005	Flat Washer		I.D. 5/16"	4	
11	0700001	Tapping Screws		No 8 Lgth.5/8"	4	
12	0700002	Tapping Screws		No 8 Lgth.1/2"	9	

Note 1. This part is not sold separately.

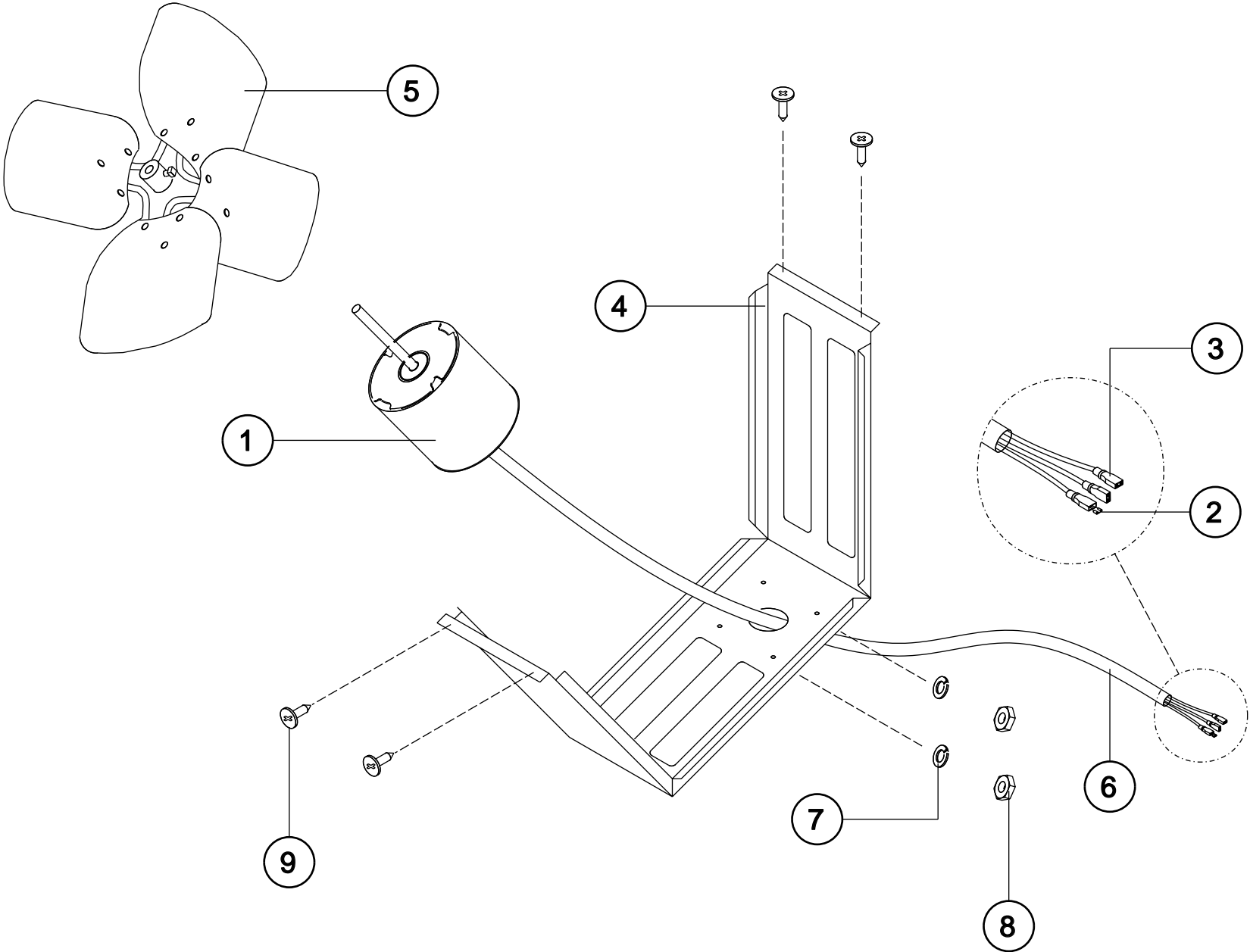
Unit No . 03 From Model : MAC120
Front Panel Set



Index No .	Parts No .	Parts Name	Drawing No .	Type (Maker)	QTY.	Note
1	MAC120 030010	Front Panel		EG#18	1	
1.1	MAC120 030017	Cover Front Panel		EG#18	1	
2	MAC120 030011	Top Panel		EG#20	1	
3	MAC120 030012	Cover Side Panel		EG#18	2	
4	MAC120 030013	Left-Side Panel		EG#20	1	
5	MAC120 030014	Right-Side Panel		EG#20	1	
6	MAC120 030003	Fan Guard		24"	2	
7	MAC120 030015	Coil Guard		EG#20	1	
8	MAC120 030018	Spot Front Panel		EG#18	2	
9	MAC120 010001	Handle			1	
10	0700001	Tapping Screws		No 8 Lgth.5/8"	2	
11	0700002	Tapping Screws		No 8 Lgth.1/2"	52	

Unit No . 04
Motor Set

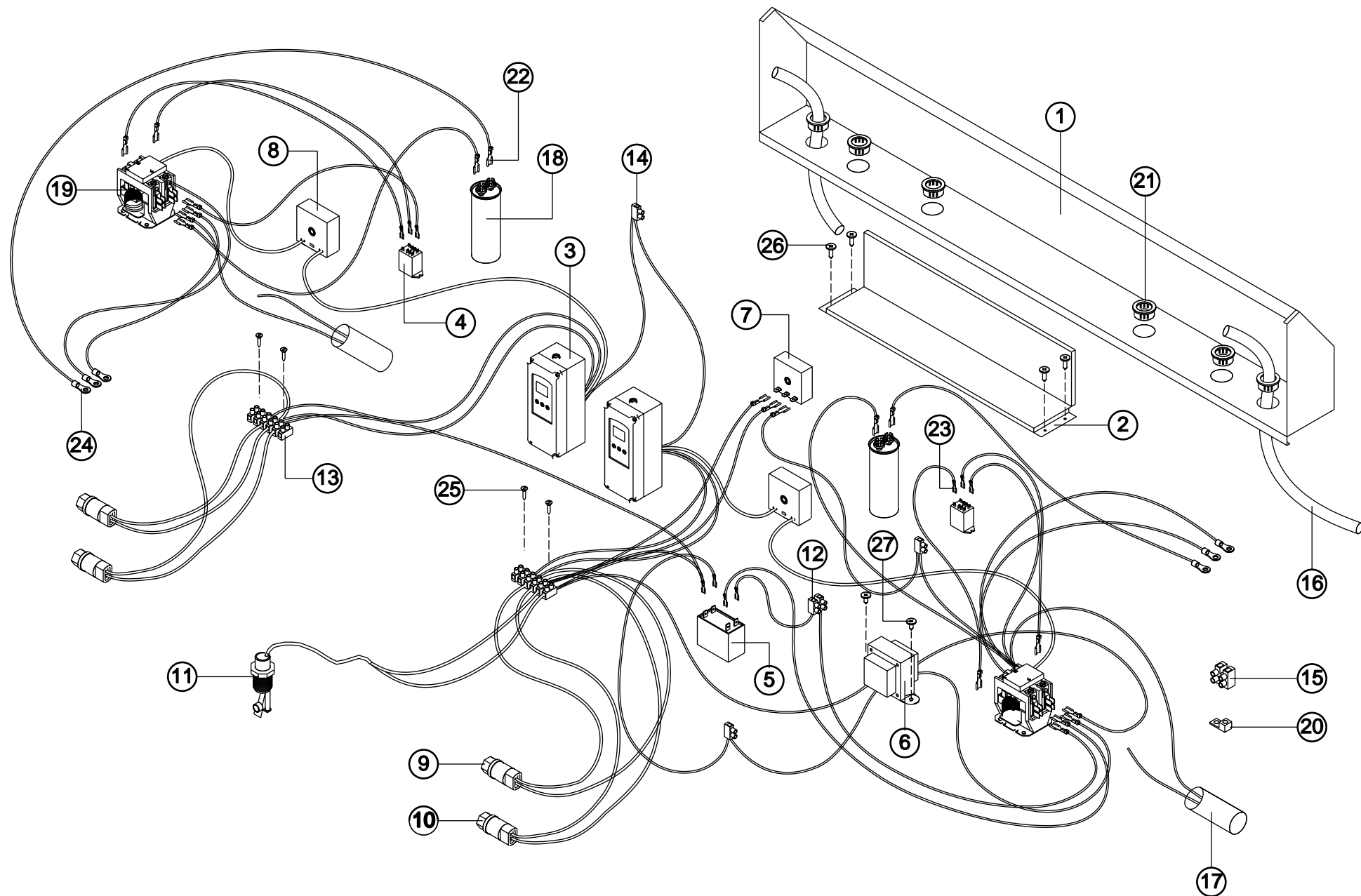
From Model : MAC120



Index No .	Parts No .	Parts Name	Drawing No .	Type (Maker)	QTY.	Note
1	MAC120 020004	Motor		½ TR-CA	2	50 Hz
2	MAC120 020029	Female Terminal			4	
3	MAC120 020032	Terminal Sleeve		PVC ST250-45	4	
4	MAC120 030016	Support Motor		GI#18.	1	
5	MAC120 020005	Fan Blade		24"	2	
6	MAC120 020033	PVC Tube		½"x91cm.	1	
7	0700004	Spring Washer		For M5	8	
8	0700014	Nut		M5	8	
9	0700002	Tapping Screws		No 8 Lgth.1/2"	8	

Note 1. This part is not sold separately.

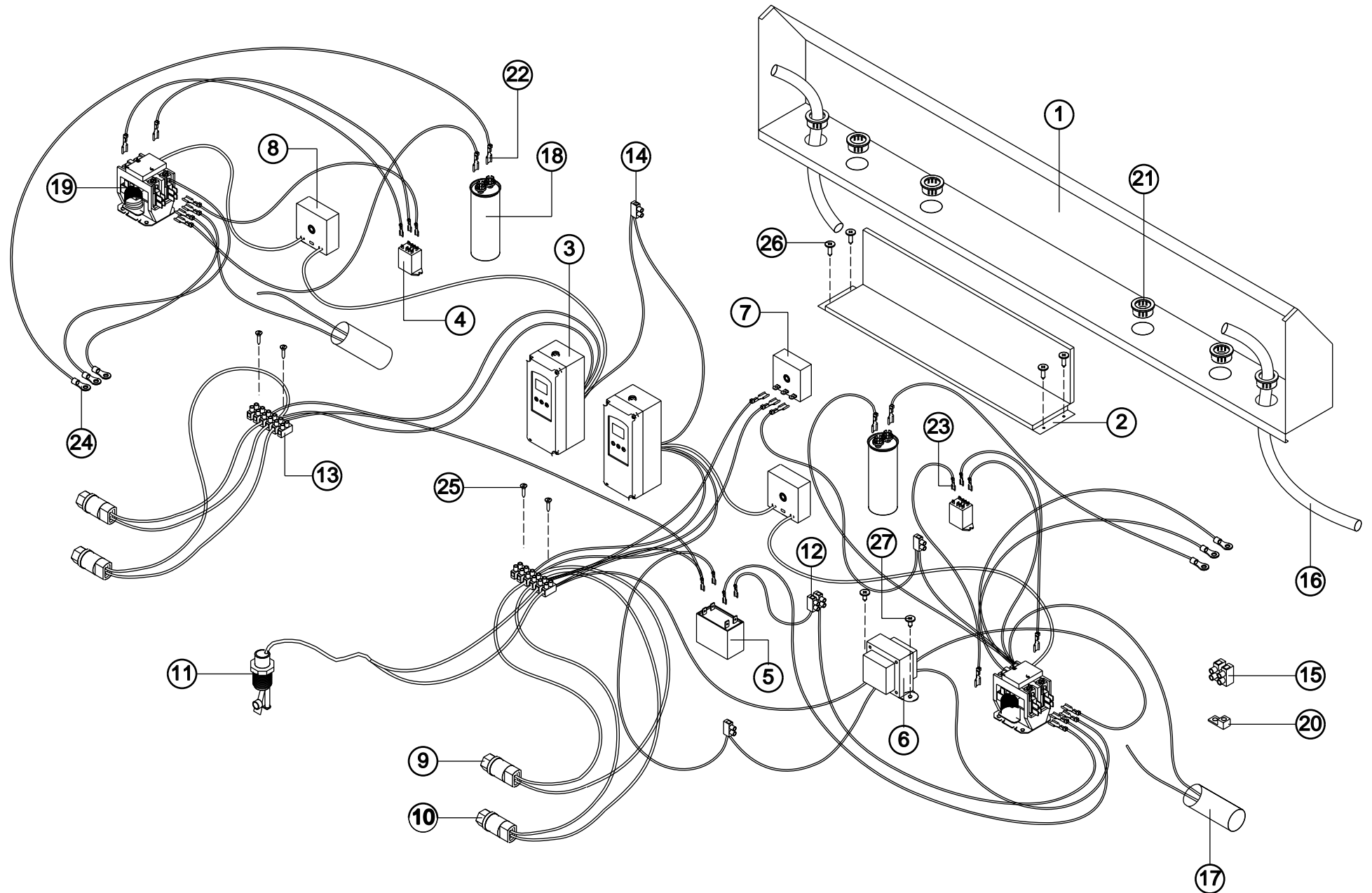
Unit No . 05 From Model : MAC120
Control and Wire Set



Index No .	Parts No .	Parts Name	Drawing No .	Type (Maker)	QTY.	Note
1	MAC120 030019	Box Control		GL#20	4	
2	MAC120 030020	Box Control Support		GL#20	1	
3	MAC120 020006	Temperature Controls		ETC212001-MAQ	2	
4	MAC120 020007	Fan Relay			2	
5	MAC120 020008	Pump Relay		9400-01Q1999	1	
6	MAC120 020009	Transformer			2	
7	MAC120 020010	Bypass Timer		GPS24A9Y10	1	
8	MAC120 020011	Timer			2	
9	MAC120 020012	Hi Pressure Control			2	
10	MAC120 020013	Low Pressure Control			2	
11	MAC120 020014	Flow Switch		Q-12N	1	
12	MAC120 020025	Terminal Block 2 Pole		Terminal 6 mm.	9	
13	MAC120 020026	Terminal Block 6 Pole		Terminal 6 mm.	2	
14	MAC120 020027	Terminal Block 1 Pole		Terminal 6 mm.	4	
15	MAC120 020028	Terminal Block 2 Pole (Big)		Terminal 10 mm.	1	
16	MAC120 020034	PVC Tube		½"x 60 cm. ..	1	

Note 1. This part is not sold separately.

Unit No . 05 From Model : MAC120
Control and Wire Set



Index No .	Parts No .	Parts Name	Drawing No .	Type (Maker)	QTY.	Note
17	MAC120 020004-1	Fan Motor Running Capacitor		3 Mfd 400V.	2	
18	MAC120 020001-1	Capacitor Compressor		.	2	
19	MAC120 020015	Magnetic Contactor		40 A 2 Poles 24V.	2	
20	MAC120 020016	Ground Lug		.	1	
21	MAC120 020035	Bushing		O.D. 1-1/8"	6	
	MAC120_00001W	Wire Set		.	1	
22	MAC120 020029	Female Terminal		.41274	4	
23	MAC120 020030	Female Terminal		17213	12	
24	MAC120 020031	Female Terminal		2592	8	
25	0700006	Drywall Screws		No 7 Lgth.5/8"	3	
26	0700007	Tapping Screws		No 7 Lgth.1"	4	
27	0700002	Tapping Screws		No 8 Lgth.1/2"	22	

NOTE

NOTE