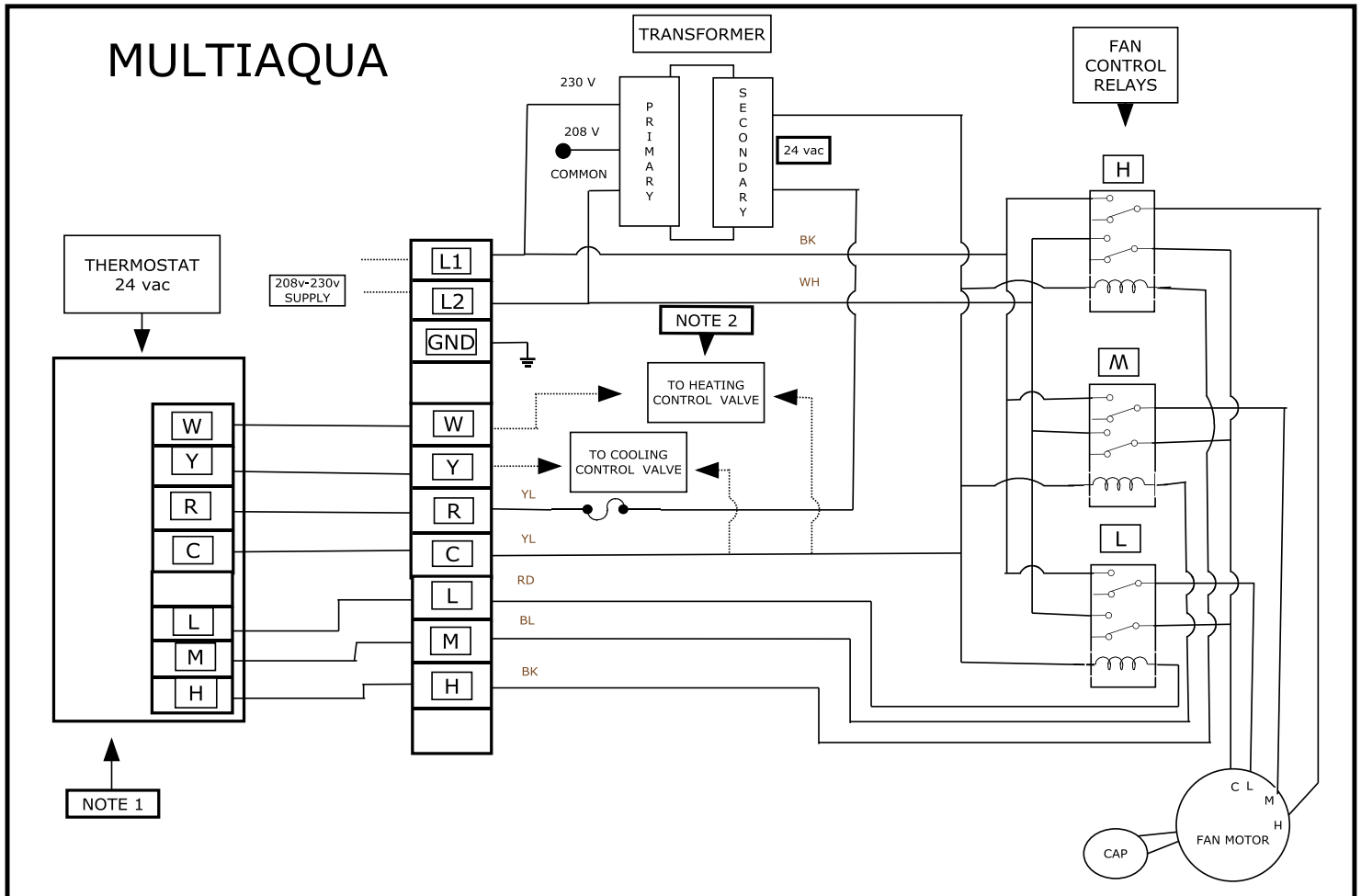


# MCFCW-16-XXX-1 Wiring Diagram

208/230-1-50/60



|          |                                      |
|----------|--------------------------------------|
| TITLE    | <b>MCFCW-XX-XXX-1 WIRING DIAGRAM</b> |
| AUTHOR   | kjg                                  |
| DATE     | 07-20-07                             |
| REVISION |                                      |

**LEGEND:**

- FACTORY WIRING
- FIELD WIRING
- GROUND
- 1.0 AMP FUSE

**NOTES:**

1. THERMOSTAT SUPPLIED AND INSTALLED BY OTHERS.
2. HEATING AND COOLING CONTROL VALVES ARE FIELD INSTALLED.

# MCFCW-16-XXX-1 Dimensional Drawing

| FAN COIL DIMENSIONS (in.) |       |       |       |       |       |       |       |       |       |
|---------------------------|-------|-------|-------|-------|-------|-------|-------|-------|-------|
| Fan Coil Model Number     | A     | B     | C     | D     | E     | F     | G     | H     | I     |
| MCFCW-16-4HS(LS)-01       | 33.00 | 12.00 | 14.17 | 31.58 | 54.92 | 24.25 | 57.00 | 49.00 | 12.00 |

