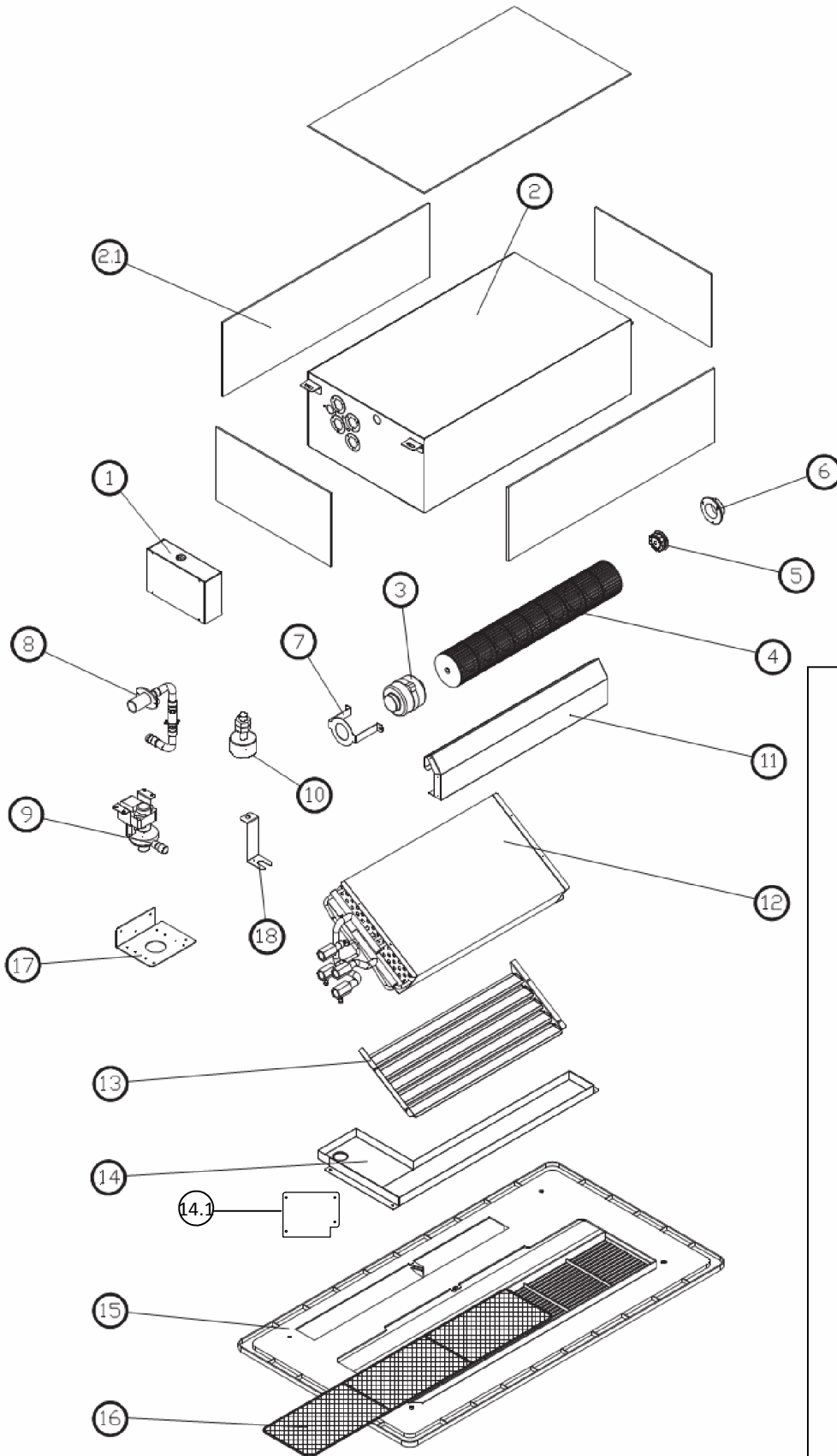


MH1WC4W Exploded View



- 1. Electrical Panel
- 2. Unit Cabinet
- 2.1 Cabinet Insulation
- 3. Motor
- 4. Blower
- 5. Rubber Plug
- 6. Support Blower
- 7. Support Motor
- 8. Drain Hold
- 9. Water Pump
- 10. Float Switch
- 11. Divider
- 12. Coil
- 13. Drip Pan
- 14. Drain Pan
- 14.1 End Plate Cover
- 15. Cover Assambly
- 16. Filter
- 17. Drain Pump Bracket
- 18. Float Switch Bracket