

MODEL OF AIRCONDITIONER

MHCCW

PARTS LIST



MULTIAQUA, INC.

2701 S.W. 145 AVENUE, SUITE #220

MIRAMAR, FLORIDA 33027 U.S.A.

Tel: (954) 431-1300 • Fax: (954) 431-1303 • email: support@multiaqua.com

www.multiaqua.com

GENERAL INFORMATION

This parts list shows all the parts used in your airconditioner for model MHCCW.

Please file this parts list for reference and refer to it when you order parts or maintain the airconditioner.

This edition has been divided into section. Each section corresponds to one of the 3 different units making up the air condition.

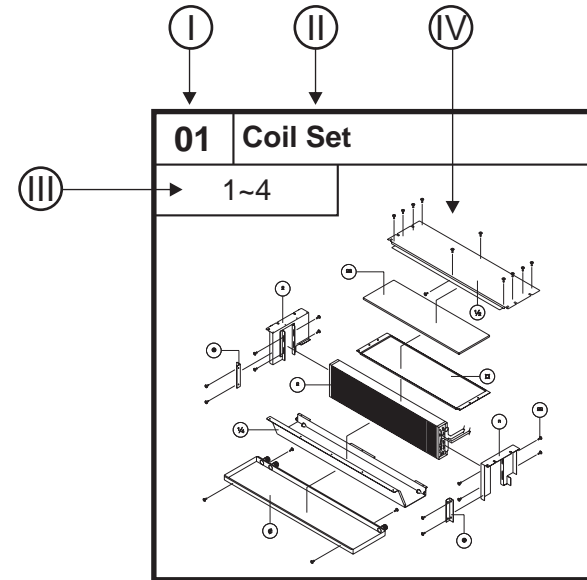
Unit No.

- 01 Coil set
- 02 Motor and blower set
- 03 Wire set

The scale used on each page of drawing is different. Please be aware that parts may seem to be different sizes on different pages.

INTRODUCTION

1. TABLE OF CONTENTS



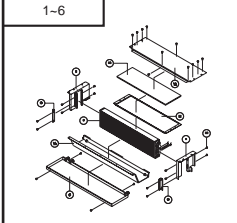
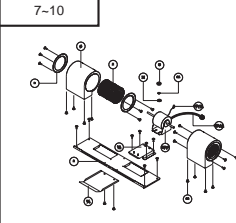
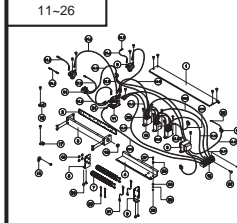
- ① Unit number
- ② Unit Name
- ③ Corresponding Page Nos.
- ④ Assembly drawings shown in the main text.

Specifications subject to change without notice.

ORDER INSTRUCTIONS

1. Use the drawings in the Table of Contents to find the pages on which the part in question is shown in greater

CONTENTS (1)

01	Coil Set	02	Motor and Blower Set	03	Wire Set
1-6		7-10		11-26	

This units is shown on
Page 1~3



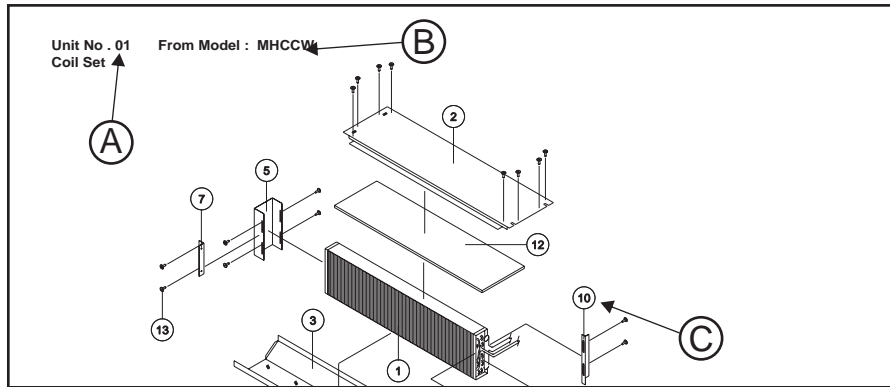
2. Spread out the referred pages.

3. Use the drawings and corresponding lists to confirm the specs, etc. Of the part in question.

4. When ordering, please supply the following information:

- (1) Machine Model
- (2) Serial number
- (3) Parts number
- (4) Parts name
- (5) Quantity

2. MAIN TEXT



Index No .	Parts No .	Parts Name	Drawing No .	Type (Marker)	Quantity						Note	
					04	06	08	10	12	16		20
1		Coil Assy										
		Coil Cool Size: 8x30x2Rx2C	DG-DC-CO-AG-04-		1							
		Coil Cool Size: 8x30x3Rx3C				1						
		Coil Cool Size: 8x30x4Rx4C					1					
		Coil Cool Size: 10x40x3Rx4C						1				
		Coil Cool Size: 10x40x3Rx4C							1			
		Coil Cool Size: 10x59.5x3Rx8C								1		

(A) Unit Number and Name

The Unit Number and Name are shown on relevant pages.

(B) Machine Model

The Model of machine corresponding to the information shown.

(C) Index Number

The Index Number for each part in a drawing is shown and corresponds to the list of parts for that drawing.

(D) Parts Number

The individual Code No for each part the Model MHCCW is shown.

(E) Parts Name

The Name (description) of each part.

(F) Drawing Number

The Number of drawing relevant to the part are given.

(G) Type (Maker)

The type description and manufacturer of each marketed item are shown.

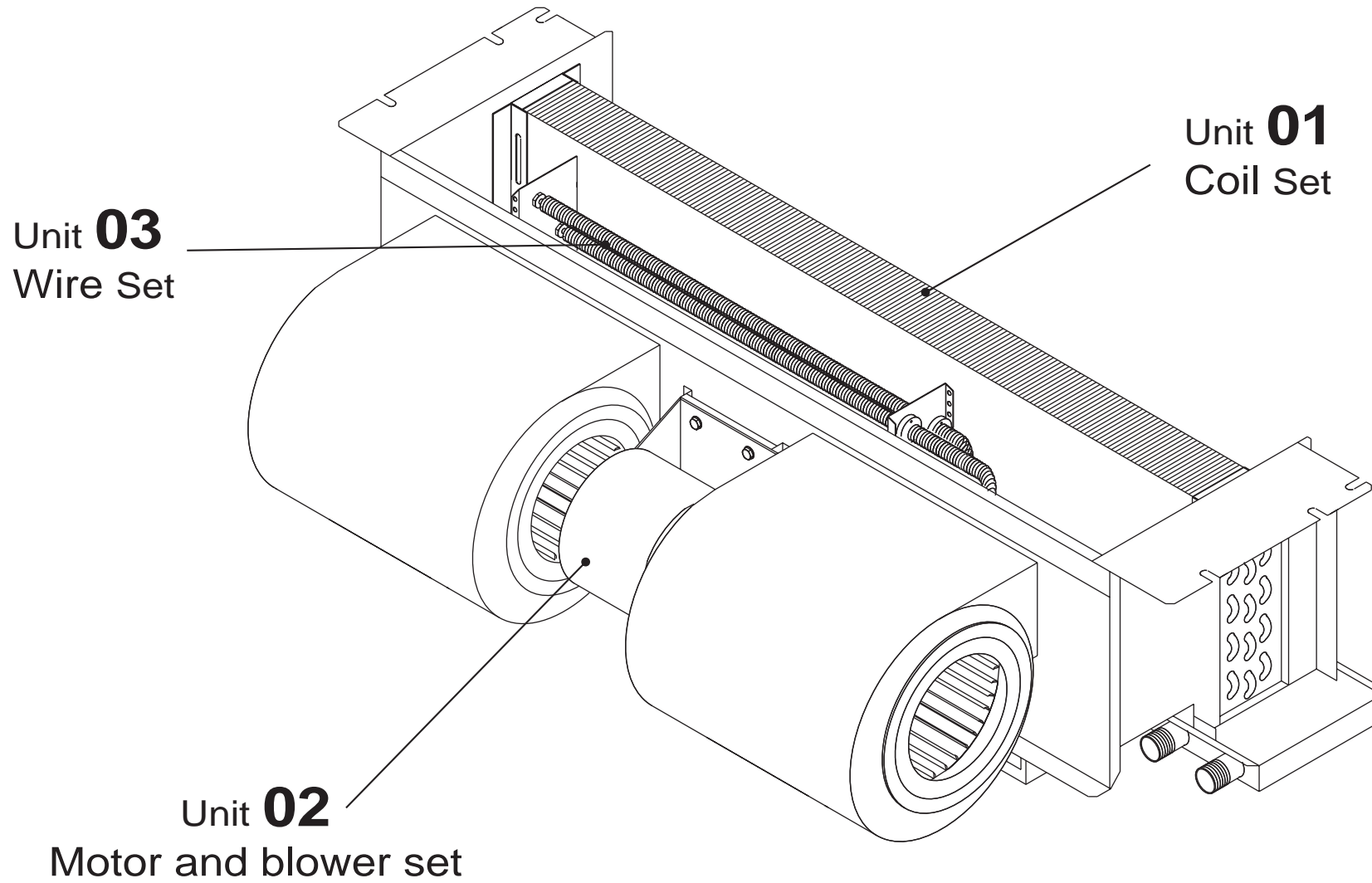
(H) Quantity

The quantity of each part used on the each capacitor.

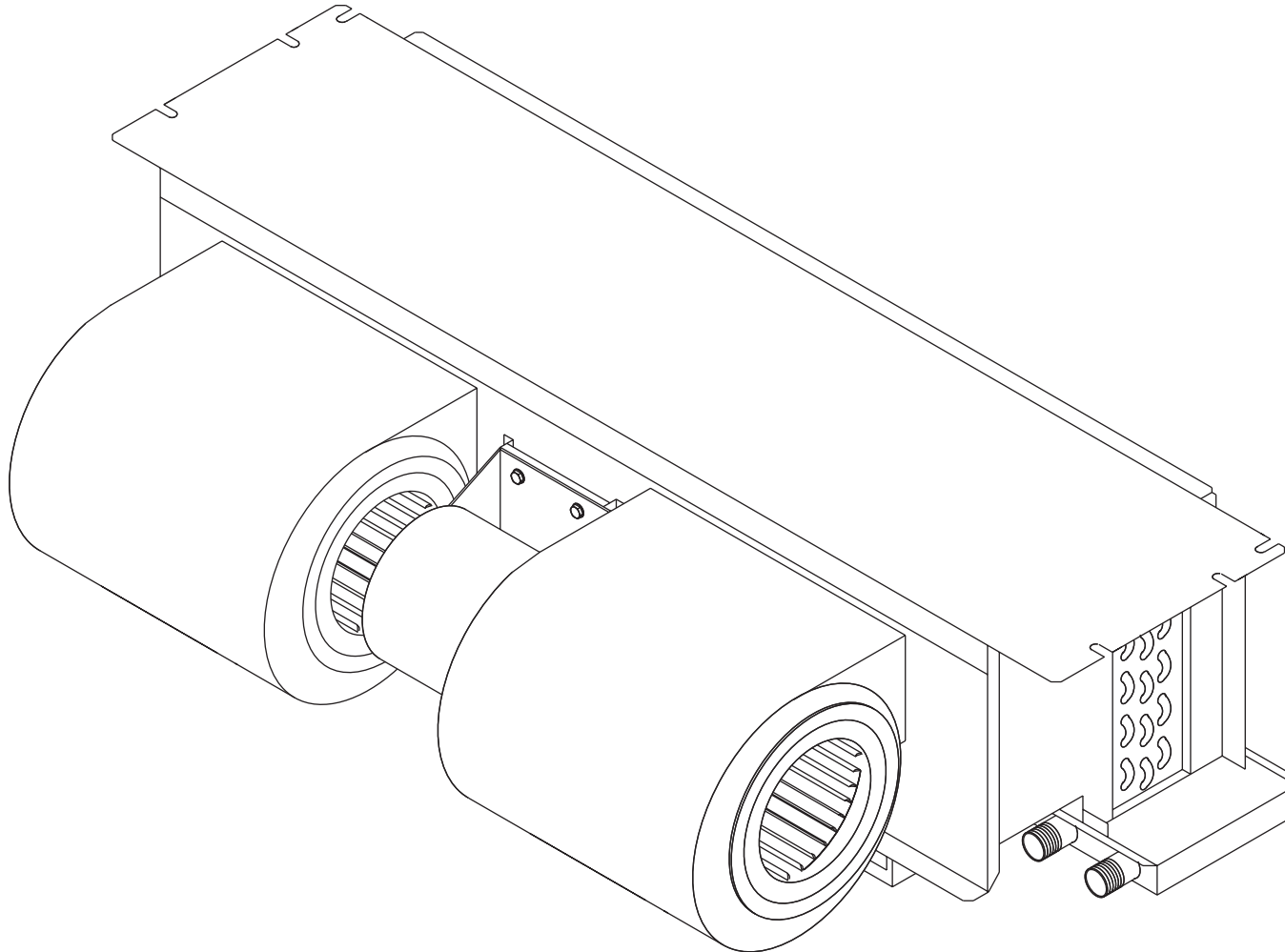
(I) Notes

Cautions and notes necessary to the ordering of each part.

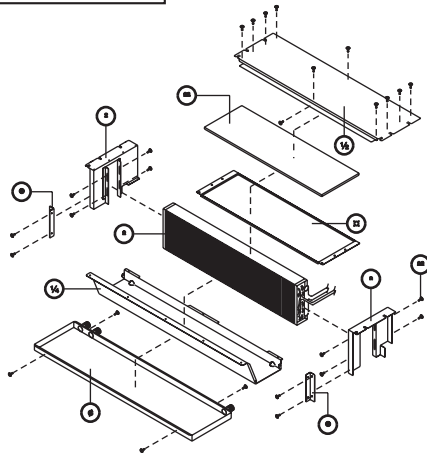
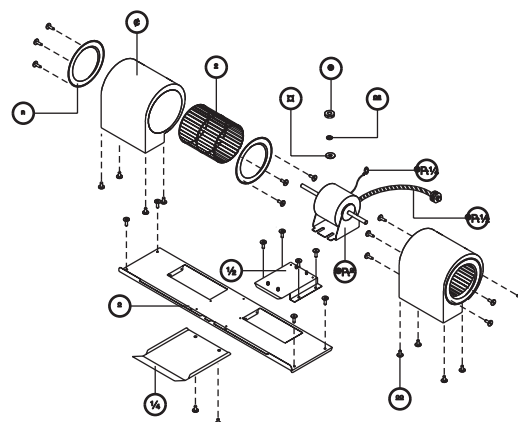
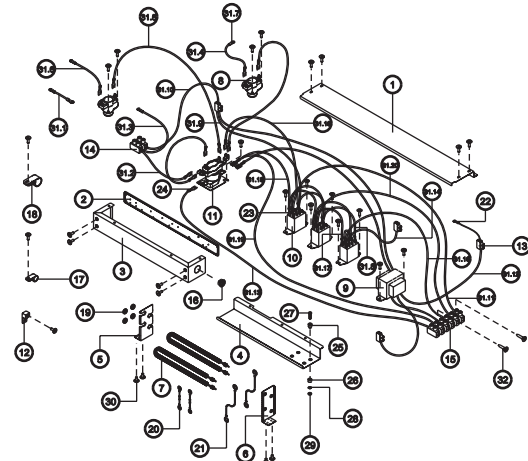
MACHINE COMPONENT



MACHINE COMPONENT

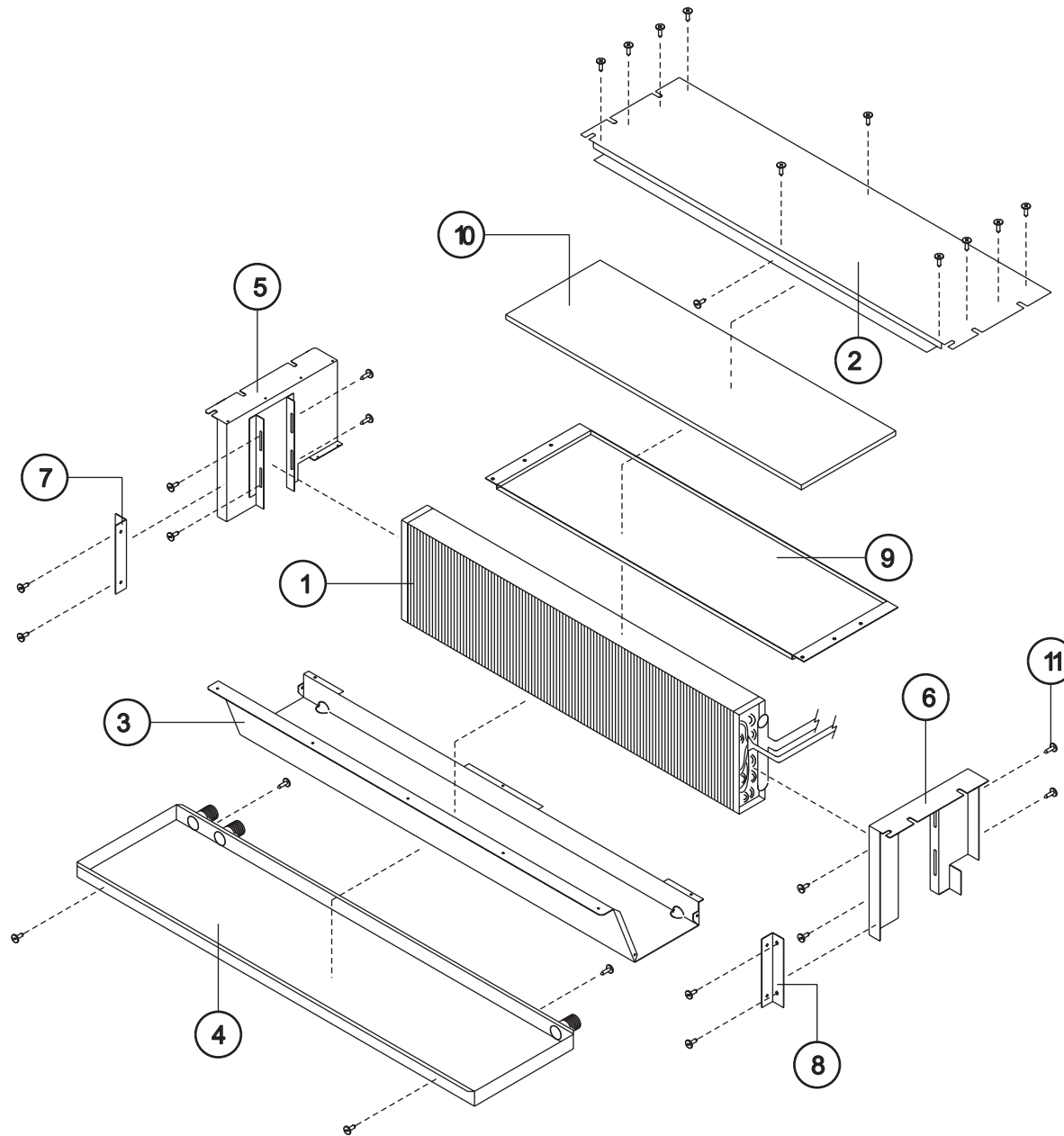


CONTENTS (1)

01	Coil Set	02	Motor and Blower Set	03	Wire Set
1~6		7~10		11~26	

Unit No . 01
Coil Set

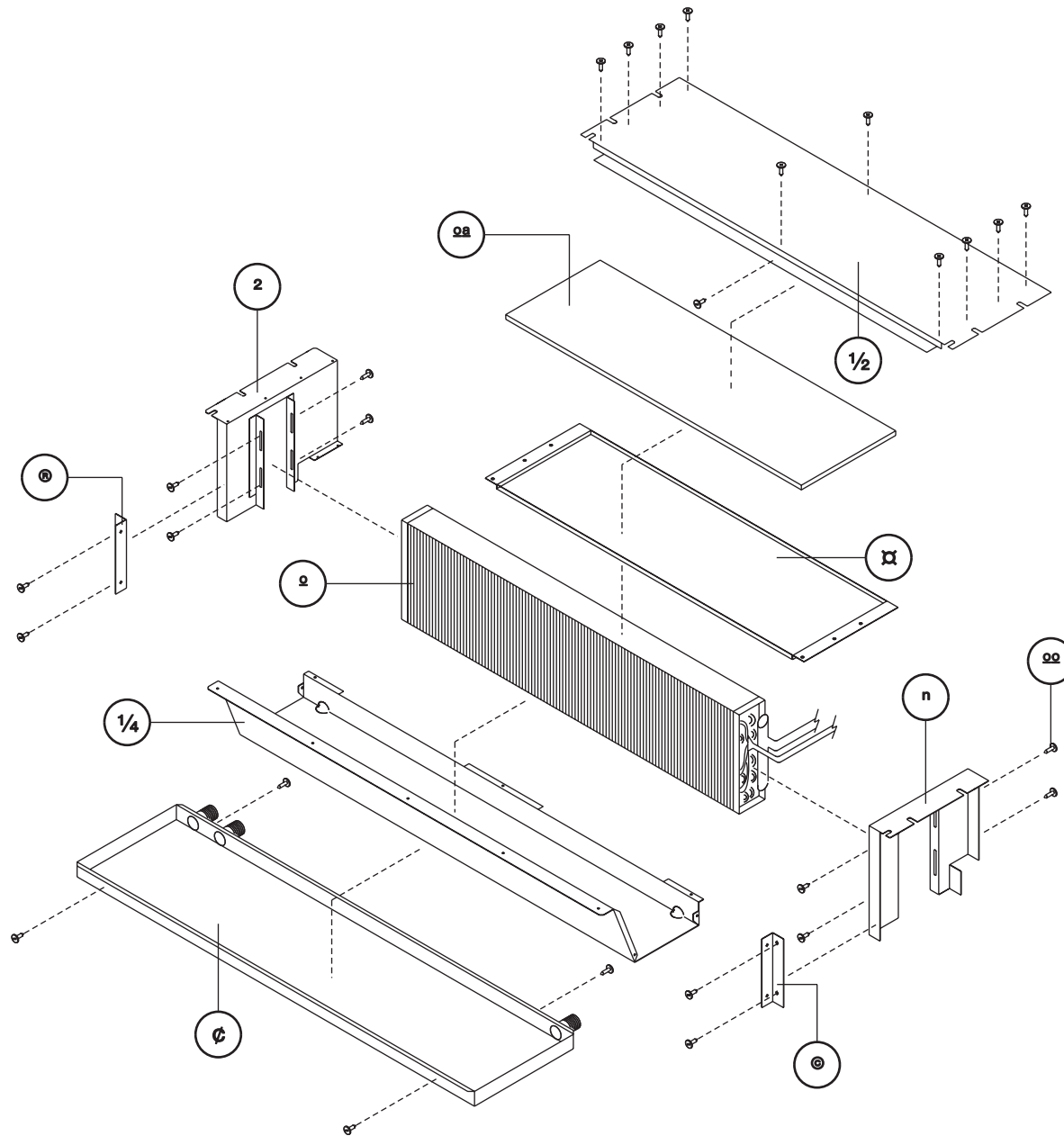
From Model : MHCCW



Index No .	Parts No .	Parts Name	Drawing No .	Type (Maker)	Quantity							Note	
					04	06	08	10	12	16	20		
1		Coil Assy											
	HCW 0600001	Coil Cool Size:8x30x2R			1								
	HCW 0600002	Coil Cool Size:8x30x3R				1							
	HCW 0600003	Coil Cool Size: 8x30x4R					1						
	HCW 0600004	Coil Cool Size: 8x36x4R						1					
	HCW 0600005	Coil Cool Size: 8x42x4R							1				
2		Top rear panel		EG # 21									
	HCW 0300001	For 04/06/08			1	1	1						
	HCW 0300002	For 10						1					
	HCW 0300003	For 12							1				
3		Panel Bottom		EG # 21									
	HCW 0300004	For 04/06/08			1	1	1						
	HCW 0300005	For 10						1					
	HCW 0300006	For 12							1				

Unit No . 01
Coil Set

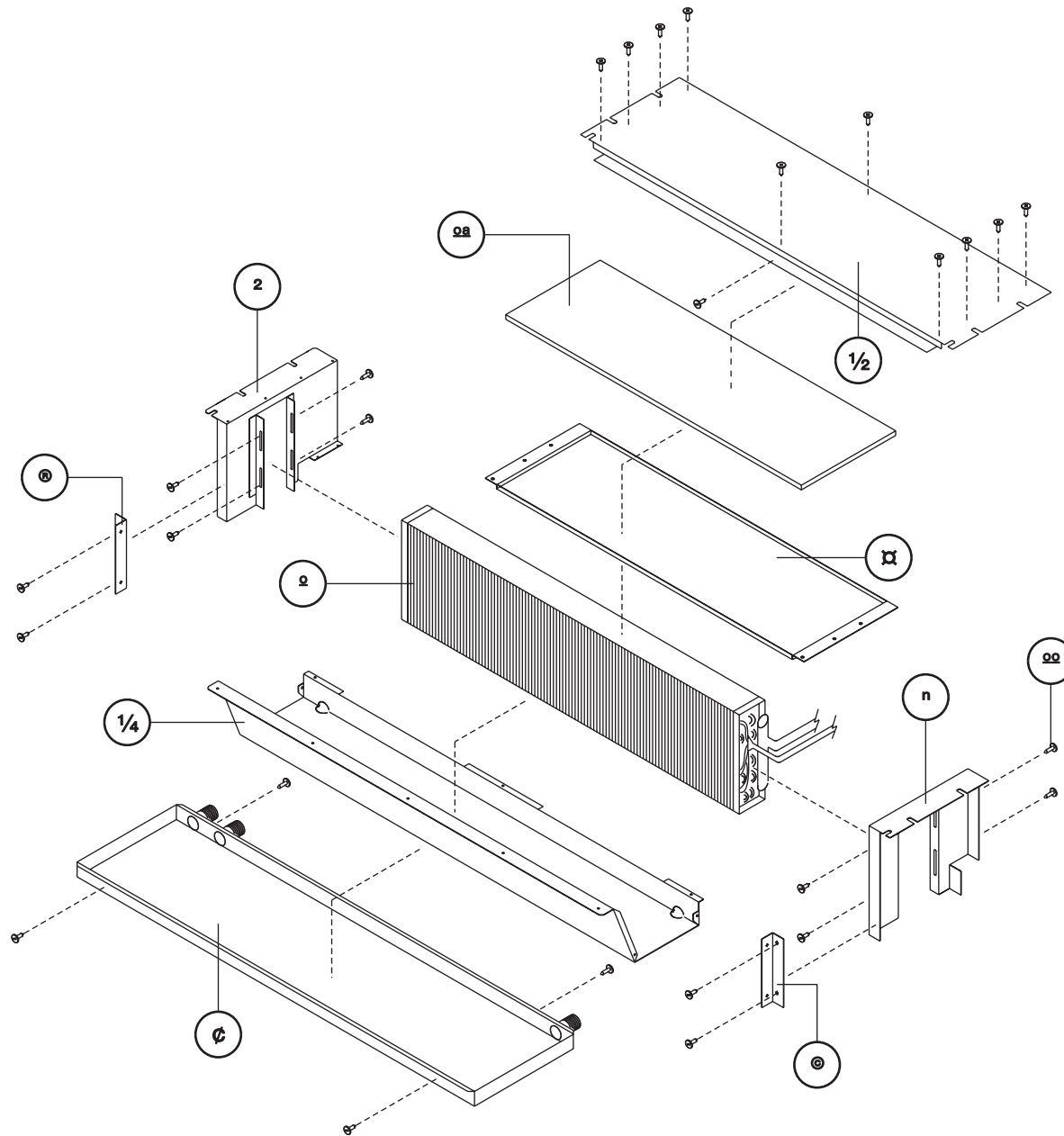
From Model : MHCCW



Index No .	Parts No .	Parts Name	Drawing No .	Type (Maker)	Quantity							Note	
					04	06	08	10	12	16	20		
4		PanDrain		EG # 21									
	HCW 0300007	For 04/06/08			1	1	1						
	HCW 0300008	For 10						1					
	HCW 0300009	For 12							1				
5		Side Panel LH		EG # 21									
	HCW 0300010	For 04/06			1	1							
	HCW 0300011	For 08					1						
	HCW 0300012	For 10						1					
	HCW 0300013	For 12							1				
6		Side Panel RH		EG # 21									
	HCW 0300014	For 04/06			1	1							
	HCW 0300015	For 08					1						
	HCW 0300016	For 10						1					
	HCW 0300017	For 12							1				

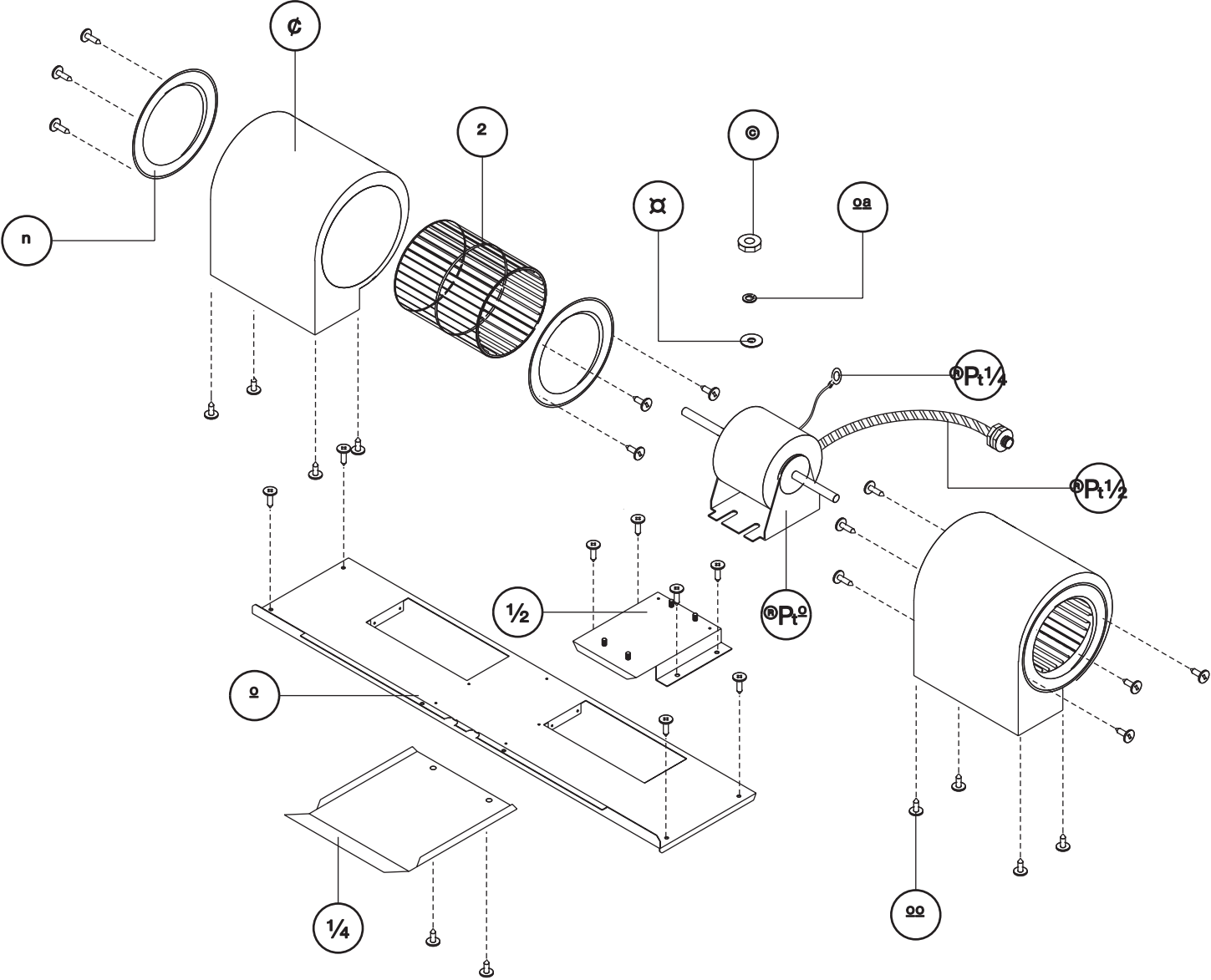
Unit No . 01
Coil Set

From Model : MHCCW



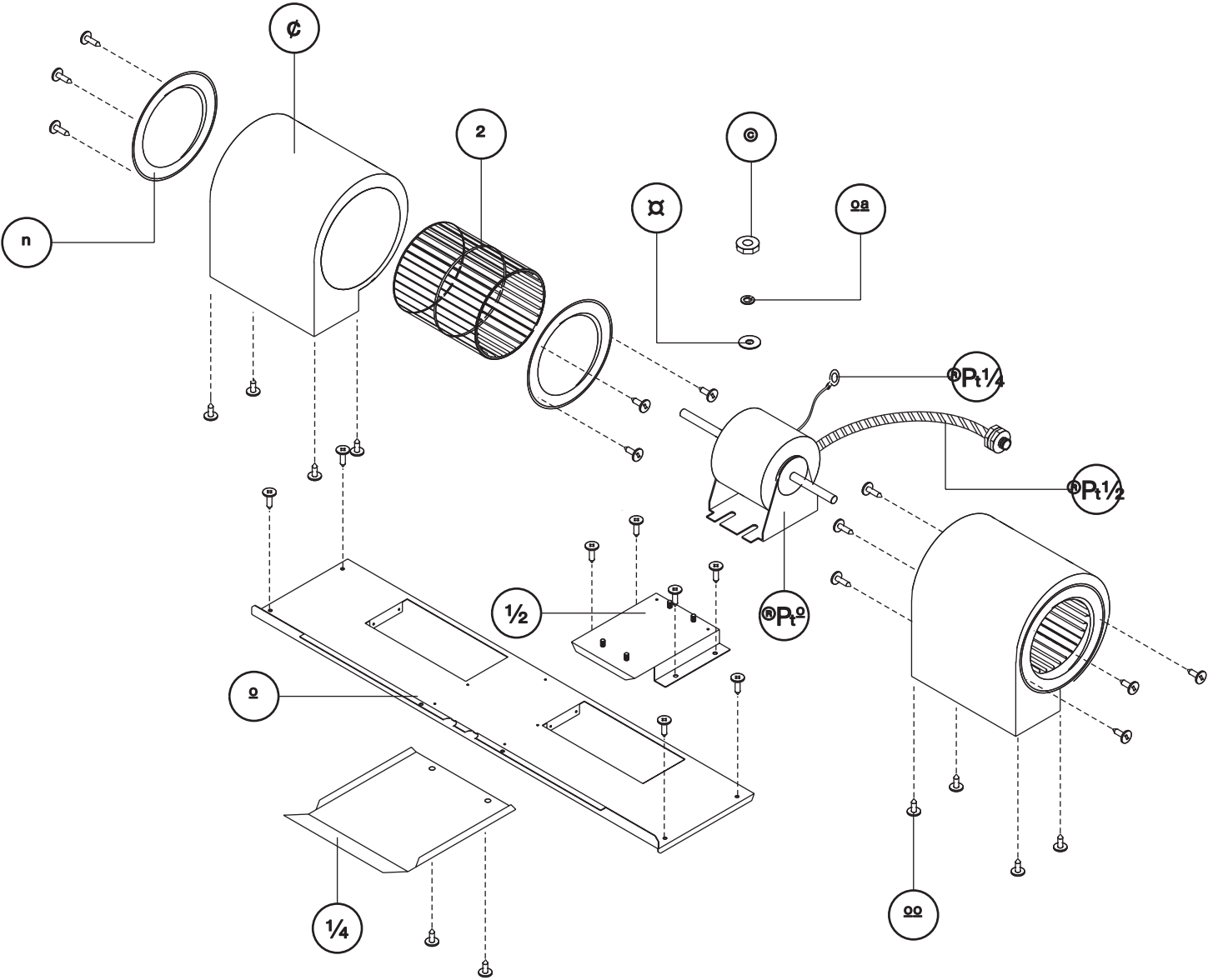
Index No .	Parts No .	Parts Name	Drawing No .	Type (Maker)	Quantity							Note	
					04	06	08	10	12	16	20		
7		Support Pipe LH/RH		EG # 21									
	HCW 0300018	For 04/06			2	2							
	HCW 0300019	For 08/10/12					2	2	2				
8		Support Side Coil LH/RH		EG # 21									
	HCW 0300020	For 04/06			2	2							
	HCW 0300021	For 08					2						
	HCW 0300022	For 10/12						2	2				
9		Support Fiberglass		GI # 21									
	HCW 0300023	For 04/06/08			1	1	1						
	HCW 0300024	For 10						1					
	HCW 0300025	For 12							1				
10		Fiberglass											
	HCW 0300026	For 04/06/08			1	1	1						
	HCW 0300027	For 10						1					
	HCW 0300028	For 12							1				
11	0700002	Tapping Screws		No 8 Lgth. 1/2"	27	27	27	27	27				

Unit No . 02 From Model : MHCCW
Motor and blower Set



Index No .	Parts No .	Parts Name	Drawing No .	Type (Maker)	Quantity							Note	
					04	06	08	10	12	16	20		
1		Ventury		EG # 18									
	HCW 0300029	For 04/06/08			1	1	1						
	HCW 0300030	For 10						1					
	HCW 0300031	For 12							1				
2		Support Motor		EG # 18									
	HCW 0300032	For_All			1	1	1	1	1				
3		Cover Motor		GI # 21									
	HCW 0300033	For_All			1	1	1	1	1				
4		Blower Housing											
	HCW 0100001	For Blower Wheel Size 6*7"		GI	2	2	2						
	HCW 0100002	For Blower Wheel Size 6*8"		GI				2					
	HCW 0100003	For Blower Wheel Size 6*9"		GI					2				
5		Blower Wheel											
	HCW 0100004	Blower Wheel Size 6*7"		GI	2	2	2						
	HCW 0100005	Blower Wheel Size 6*8"		AL				2					
	HCW 0100006	Blower Wheel Size 6*9"		AL					2				

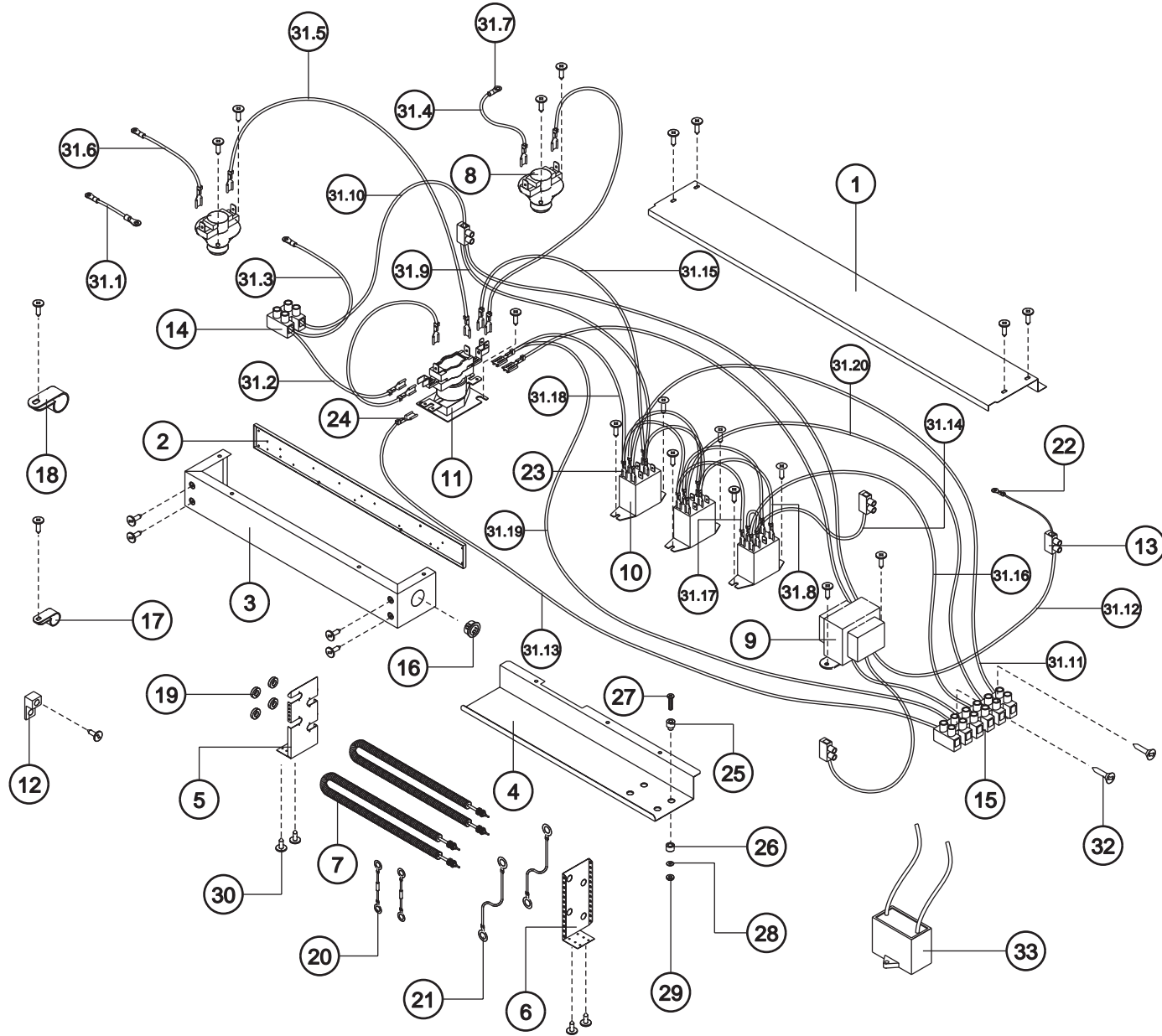
Unit No . 02 From Model : MHCCW
Motor and blower Set



Index No .	Parts No .	Parts Name	Drawing No .	Type (Maker)	Quantity							Note
					04	06	08	10	12	16	20	
6	HCW 0100007	Guide Vane		GI	4	4	4	4	4			
7		Motor Assy										See Note 1.
7.1		Motor										60 Hz
	HCW 0200001	Motor 1/30 TT-CA		PSC	1							
	HCW 0200002	Motor 1/8 TSE2-CA		PSC		1						
	HCW 0200003	Motor 1/4 TR2-CA		PSC			1	1	1			
7.2	HCW 0200004	Flexible Conduit			1	1	1	1	1			
7.3	HCW 0200005	Ring Jack			1	1	1	1	1			
8	0700029	Nut		1/4"	4	4	4	4	4			
9	0700030	Flat Washers		I.D. 1/4"	4	4	4	4	4			
10	0700031	Spring Washers		1/4"	4	4	4	4	4			
11	0700002	Tapping Screws		No 8 Lgth.1/2"	30	30	30	30	30			

Unit No . 03
Wire Set

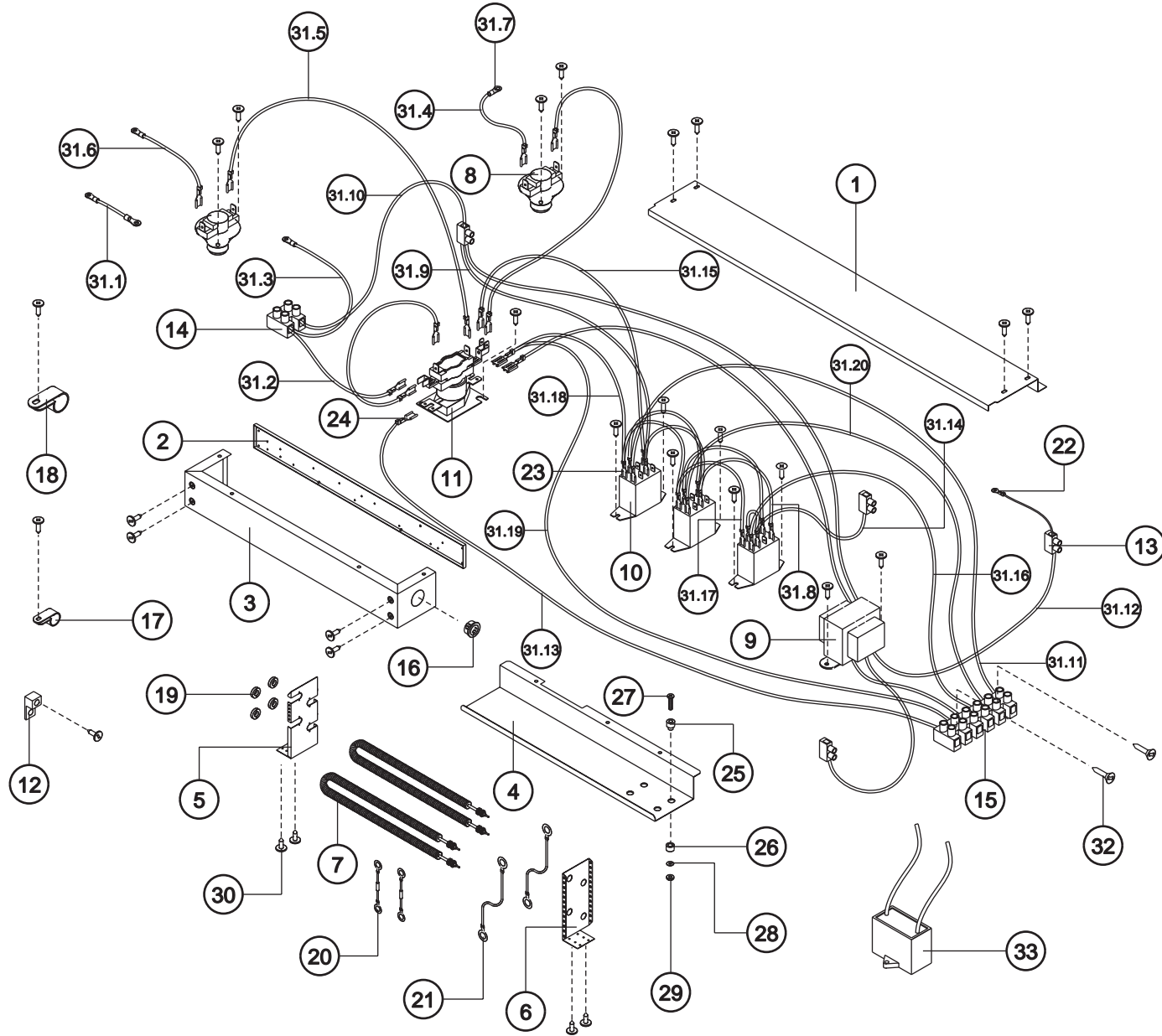
From Model : MHCCW



Index No .	Parts No .	Parts Name	Drawing No .	Type (Maker)	Quantity							Note
					04	06	08	10	12	16	20	
1	HCW 0300034	Cover Box Control		GI#20	1	1	1	1	1			
2	HCW 0300035	Control Sheet		GI#20	1	1	1	1	1			
3	HCW 0300036	Box Control		GI#20	1	1	1	1	1			
4	HCW 0300037	Heater Panel Close		GI#20	1	1	1	1	1			
5	HCW 0300038	Support Heater LH		GI#18	1	1	1	1	1			
6	HCW 0300039	Support Heater RH		GI#18	1	1	1	1	1			
7		Heater For 2 Heater										
	HCW 0200006	5000 w. Heater 2000 w.			1	1	1	1	1			
	HCW 0200007	Heater 3000 w.			1	1	1	1	1			
	HCW 0200007	6000 w. Heater 3000 w.			2	2	2	2	2			
	HCW 0200008	8000 w. Heater 4000 w.			2	2	2	2	2			
8	HCW 0200009	Thermostat			2	2	2	2	2			
9	HCW 0200010	Transformer			1	1	1	1	1			
10	HCW 0200011	Fan Relay			3	3	3	3	3			
11	HCW 0200012-2	Thermodisc		12S22	1	1	1	1	1			
12	HCW 0200013	Ground Lug			1	1	1	1	1			

Unit No . 03
Wire Set

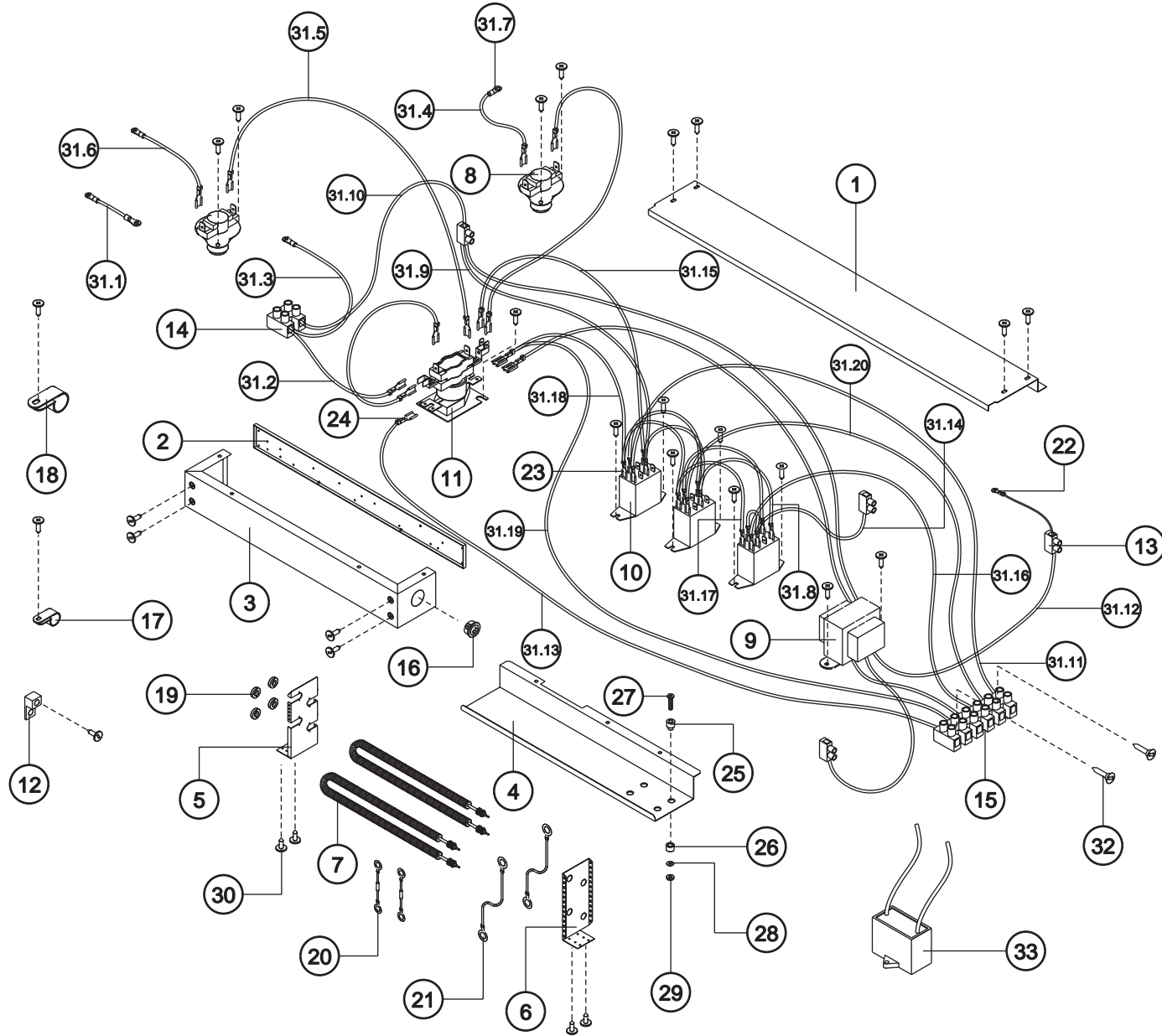
From Model : MHCCW



Index No .	Parts No .	Parts Name	Drawing No .	Type (Maker)	Quantity						Note	
					04	06	08	10	12	16		20
13	HCW 0200014	Terminal Block 1 Pole			4	4	4	4	4			
14	HCW 0200015	Terminal Block 2 Pole			1	1	1	1	1			
15	HCW 0200016	Terminal Block 6 Pole			1	1	1	1	1			
16	HCW 0200017	Bushing		7/8"	1	1	1	1	1			
17	HCW 0200018	C-Clamp		5/16"	2	2	2	2	2			
18	HCW 0200019	C-Clamp		5/8"	2	2	2	2	2			
19	HCW 0200020	Ceramic Heater Support			2	2	2	2	2			
20	HCW 0200021	Thermal For Heater 2000 W.		SF-91	1	1	1	1	1			
		For Heater 3000 W.		SF-91	1	1	1	1	1			
		For Heater 4000 W.		G8	1	1	1	1	1			
21	HCW 0200022	Copper Wire		#10(3.2 mm.)	2	2	2	2	2			
22	HCW 0200023	Ring Jack (Small)		2-4	1	1	1	1	1			
23	HCW 0200024	Quick Connector Terminal (Small)		CT-62137	16	16	16	16	16			
24	HCW 0200025	Quick Connector Terminal (Big)			14	14	14	14	14			
25	HCW 0200026	Du-co Shoulder Bushing		A-2395	4	4	4	4	4			
26	HCW 0200027	Du-co Cup Bushing		A-2396	4	4	4	4	4			

Unit No . 03
Wire Set

From Model : MHCCW

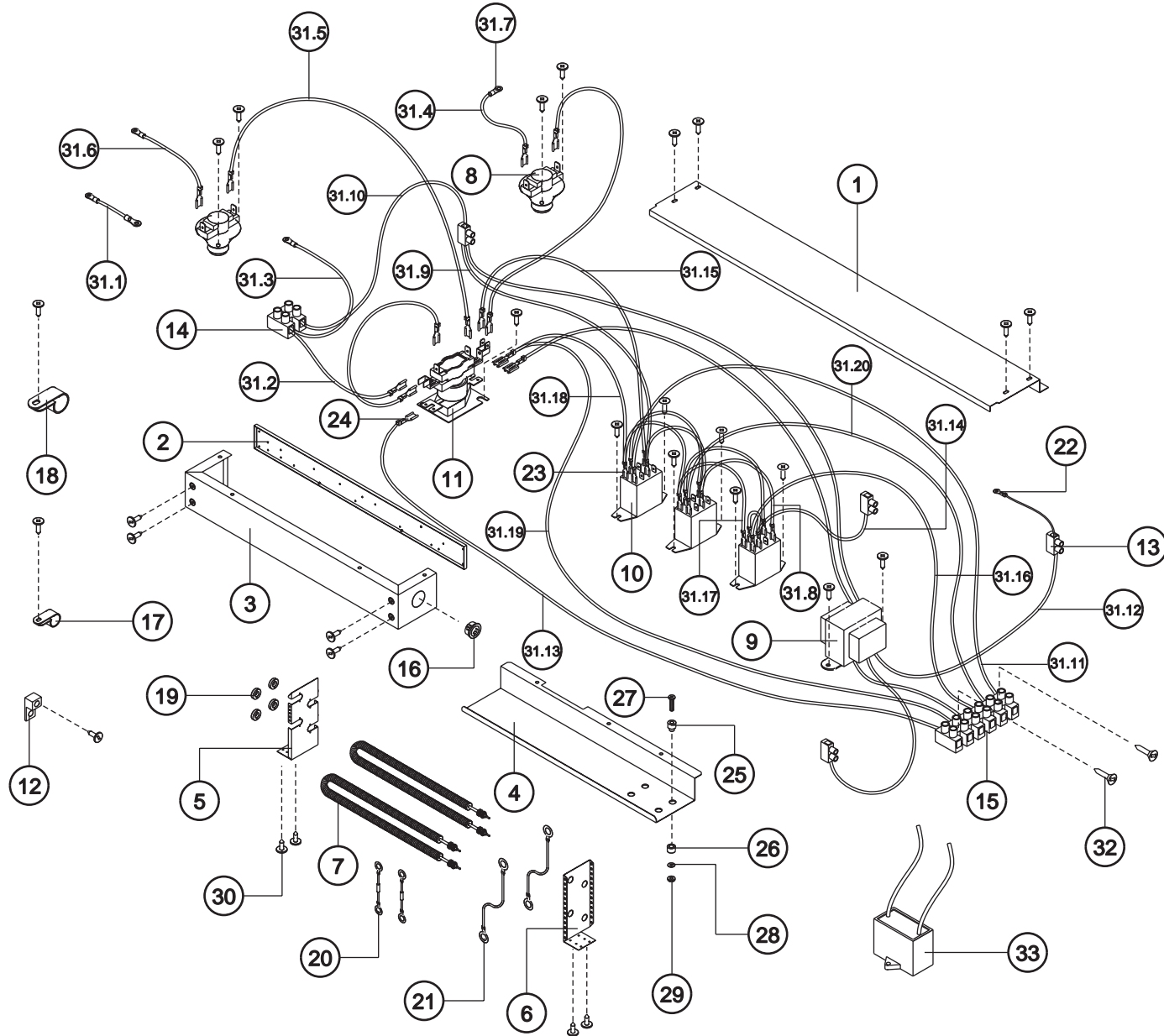


Index No .	Parts No .	Parts Name	Drawing No .	Type (Maker)	Quantity							Note
					04	06	08	10	12	16	20	
27	0700032	Screws		M4 x 30mm.	4	4	4	4	4			
28	0700033	Spring Washer		M4	4	4	4	4	4			
29	0700034	Nut		M4	4	4	4	4	4			
30	0700002	Tapping Screws		N0 8 Lgth.1/2"	26	26	26	26	26			
31	00003WH	Wire Set										See Note1.
		Wire Set For 2 Heater										
31.1	HCW 0200028	Black Wire		10AWG,20mm.	1	1	1	1	1			
31.2	HCW 0200029	Black Wire		10AWG,100mm	3	3	3	3	3			
31.3	HCW 0200030	Black Wire		10AWG,190mm	1	1	1	1	1			
31.4	HCW 0200031	Black Wire		10AWG,350mm	1	1	1	1	1			
31.5	HCW 0200032	Black Wire		10AWG,450mm	1	1	1	1	1			
31.6	HCW 0200033	Black Wire		10AWG,650mm	1	1	1	1	1			
31.7	HCW 0200034	Ring Jack (Big)		5-5-5	5	5	5	5	5			
		Wire Set For Control										
31.8	HCW 0200035	Black Wire		18AWG,100mm	2	2	2	2	2			
31.9	HCW 0200036	Black Wire		18AWG,190mm	1	1	1	1	1			

Note 1. This part is not sold separately.

Unit No . 03
Wire Set

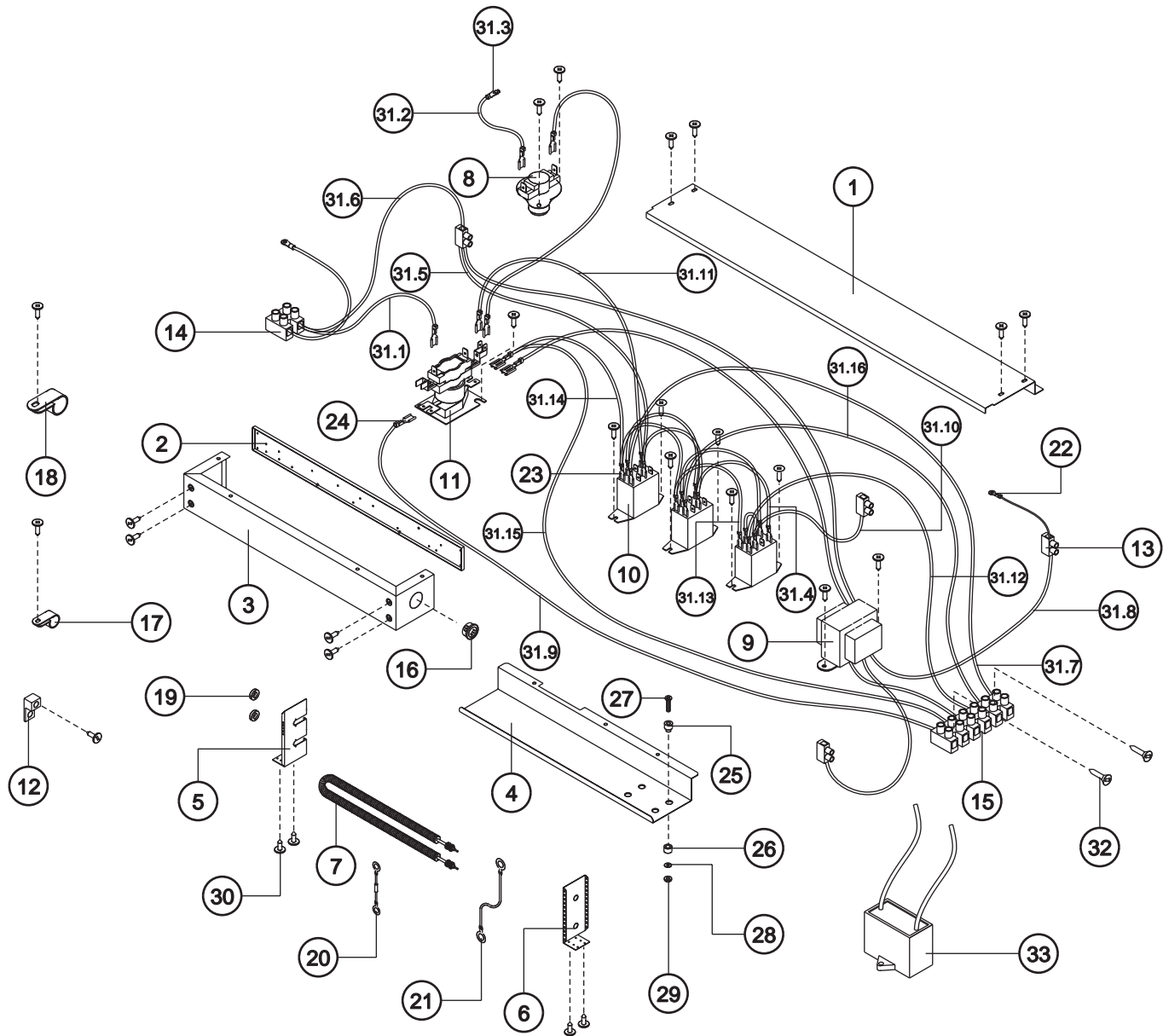
From Model : MHCCW



Index No .	Parts No .	Parts Name	Drawing No .	Type (Maker)	Quantity							Note
					04	06	08	10	12	16	20	
31.10	HCW 0200037	Black Wire		18AWG,230mm	1	1	1	1	1			
31.11	HCW 0200038	Black Wire		18AWG,350mm	1	1	1	1	1			
31.12	HCW 0200039	White Wire		18AWG,350mm	1	1	1	1	1			
31.13	HCW 0200040	White Wire		18AWG,500mm	1	1	1	1	1			
31.14	HCW 0200041	Red Wire		18AWG,100mm	4	4	4	4	4			
31.15	HCW 0200042	Red Wire		18AWG,190mm	1	1	1	1	1			
31.16	HCW 0200043	Red Wire		18AWG,365mm	1	1	1	1	1			
31.17	HCW 0200044	Brown Wire		18AWG,100mm	2	2	2	2	2			
31.18	HCW 0200045	Brown Wire		18AWG,190mm	1	1	1	1	1			
31.19	HCW 0200046	Brown Wire		18AWG,350mm	1	1	1	1	1			
31.20	HCW 0200047	Blue Wire		18AWG,350mm	1	1	1	1	1			
32	0700009	Drywall Screws		No.8 lgth.1"	3	3	3	3	3			
33		Capacitor										
	HCW 0200048-1	For motor 1/30			1							
	HCW 0200048-2	For motor 1/4 and 1/8				1	1	1	1			

Unit No . 03
Wire Set

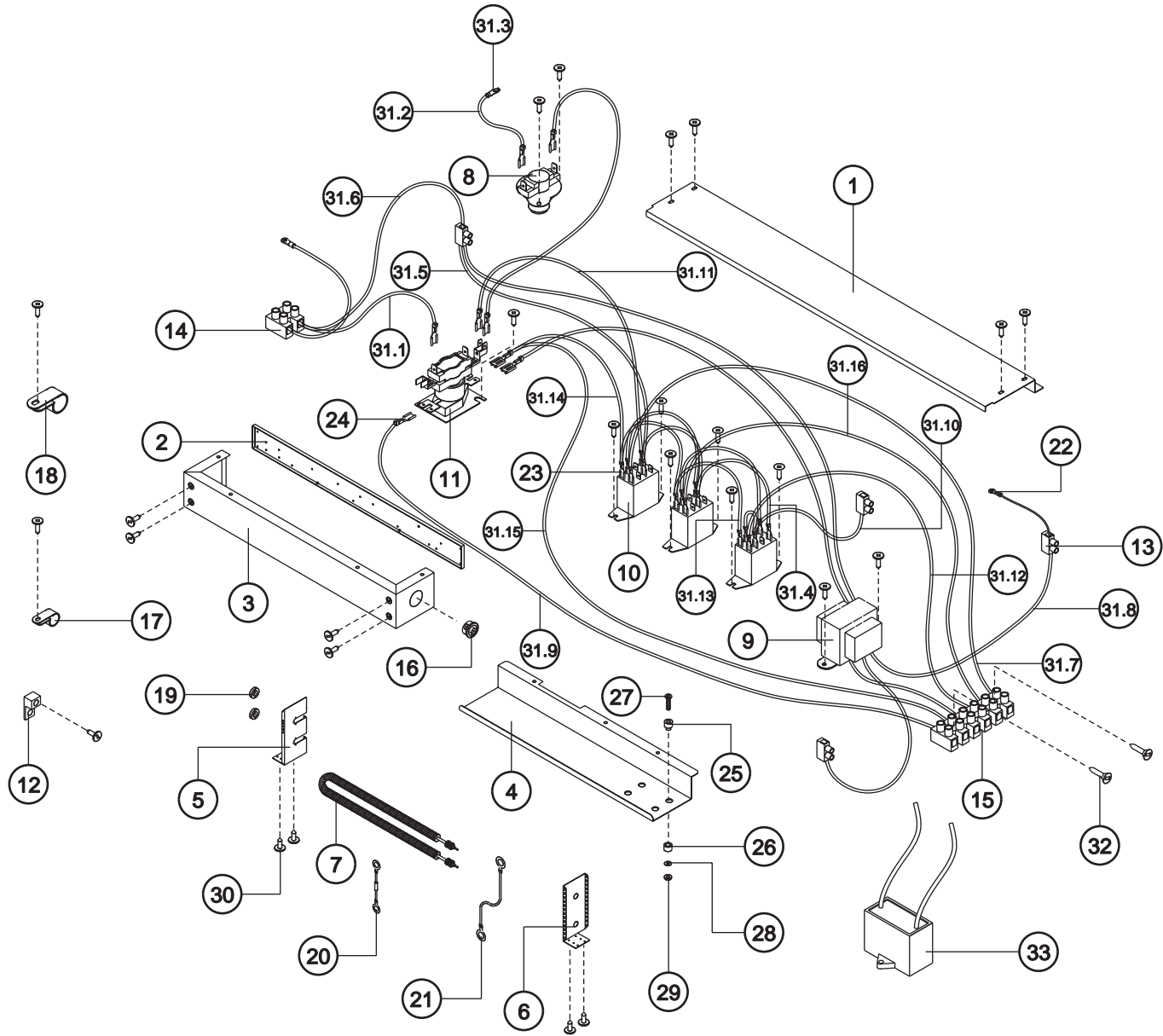
From Model : MHCCW



Index No .	Parts No .	Parts Name	Drawing No .	Type (Maker)	Quantity							Note
					04	06	08	10	12	16	20	
1	HCW 0300034	Cover Box Control		GI#20	1	1	1	1	1			
2	HCW 0300035	Control Sheet		GI#20	1	1	1	1	1			
3	HCW 0300036	Box Control		GI#20	1	1	1	1	1			
4	HCW 0300037	Heater Panel Close		GI#20	1	1	1	1	1			
5	HCW 0300038	Support Heater LH		GI#18	1	1	1	1	1			
6	HCW 0300039	Support Heater RH		GI#18	1	1	1	1	1			
7		Heater For 1 Heater										
	HCW 0200006	Heater 2000 w.			1	1	1	1	1			
	HCW 0200007	Heater 3000 w.			1	1	1	1	1			
	HCW 0200008	Heater 4000 w.			1	1	1	1	1			
8	HCW 0200009	Thermostat			1	1	1	1	1			
9	HCW 0200010	Transformer			1	1	1	1	1			
10	HCW 0200011	Fan Relay			3	3	3	3	3			
11	HCW 0200012-1	Thermodisc		12S20	1	1	1	1	1			
12	HCW 0200013	Ground Lug			1	1	1	1	1			
13	HCW 0200014	Terminal Block 1 Pole			4	4	4	4	4			

Unit No . 03
Wire Set

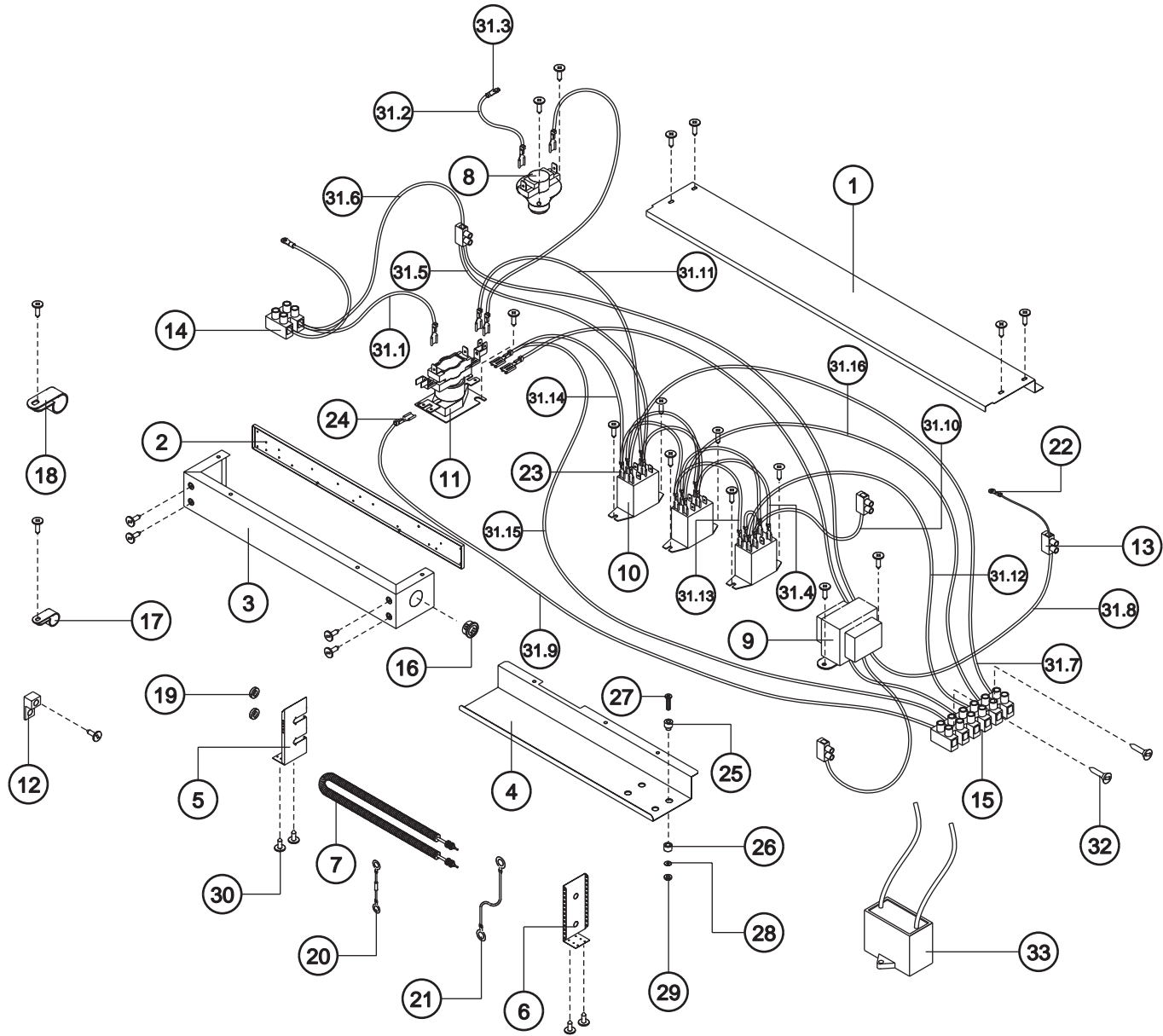
From Model : MHCCW



Index No .	Parts No .	Parts Name	Drawing No .	Type (Maker)	Quantity						Note	
					04	06	08	10	12	16		20
14	HCW 0200015	Terminal Block 2 Pole			1	1	1	1	1			
15	HCW 0200016	Terminal Block 6 Pole			1	1	1	1	1			
16	HCW 0200017	Bushing		7/8"	1	1	1	1	1			
17	HCW 0200018	C-Clamp		5/16"	2	2	2	2	2			
18	HCW 0200019	C-Clamp		5/8"	2	2	2	2	2			
19	HCW 0200020	Ceramic Heater Support			2	2	2	2	2			
20	HCW 0200021	Thermal For Heater 2000 W.		SF-91	1	1	1	1	1			
		For Heater 3000 W.		SF-91	1	1	1	1	1			
		For Heater 4000 W.		G8	1	1	1	1	1			
21	HCW 0200022	Copper Wire		#10(3.2 mm.)	1	1	1	1	1			
22	HCW 0200023	Ring Jack (Small)		2-4	1	1	1	1	1			
23	HCW 0200024	Quick Connector Terminal (Small)		CT-62137	16	16	16	16	16			
24	HCW 0200025	Quick Connector Terminal (Big)			8	8	8	8	8			
25	HCW 0200026	Du-co Shoulder Bushing		A-2395	2	2	2	2	2			
26	HCW 0200027	Du-co Cup Bushing		A-2396	2	2	2	2	2			
27	0700032	Screws		M4 x 30mm.	2	2	2	2	2			

Unit No . 03
Wire Set

From Model : MHCCW

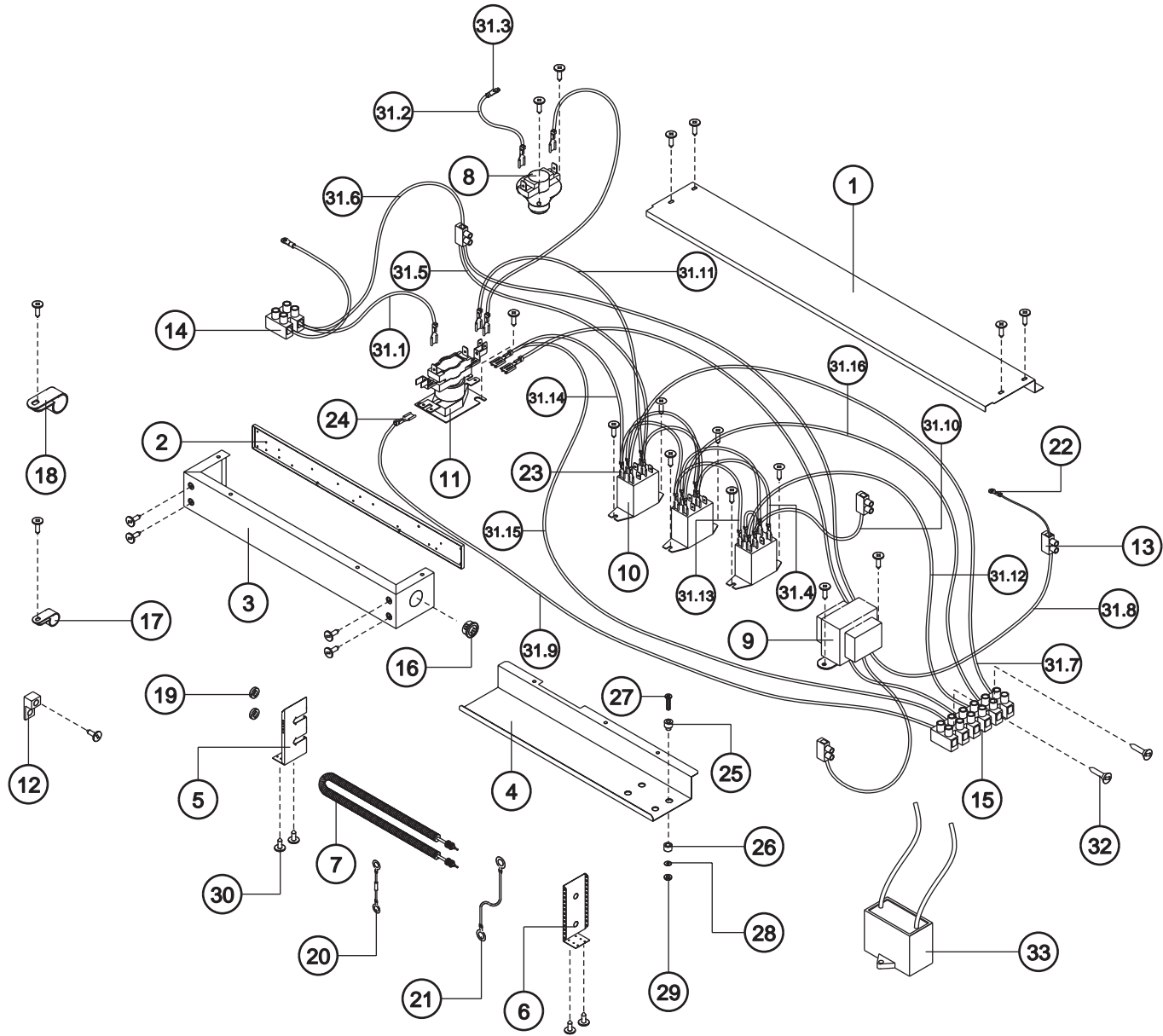


Index No .	Parts No .	Parts Name	Drawing No .	Type (Maker)	Quantity						Note	
					04	06	08	10	12	16		20
28	0700033	Spring Washer		M4	2	2	2	2	2			
29	0700034	Nut		M4	2	2	2	2	2			
30	0700002	Tapping Screws		N0 8 Lgth.1/2"	24	24	24	24	24			
31	00003WH	Wire Set										See Note1.
		Wire Set For 1 Heater										
31.1	HCW 0200048	Black Wire		10AWG,150mm	3	3	3	3	3			
31.2	HCW 0200031	Black Wire		10AWG,350mm	1	1	1	1	1			
31.3	HCW 0200034	Ring Jack (Big)		5-5-5	2	2	2	2	2			
		Wire Set For Control										
31.4	HCW 0200035	Black Wire		18AWG,100mm	2	2	2	2	2			
31.5	HCW 0200036	Black Wire		18AWG,190mm	1	1	1	1	1			
31.6	HCW 0200037	Black Wire		18AWG,230mm	1	1	1	1	1			
31.7	HCW 0200038	Black Wire		18AWG,350mm	1	1	1	1	1			
31.8	HCW 0200039	White Wire		18AWG,350mm	1	1	1	1	1			
31.9	HCW 0200040	White Wire		18AWG,500mm	1	1	1	1	1			
31.10	HCW 0200041	Red Wire		18AWG,100mm	4	4	4	4	4			

Note 1. This part is not sold separately.

Unit No . 03
Wire Set

From Model : MHCCW



Index No .	Parts No .	Parts Name	Drawing No .	Type (Maker)	Quantity							Note
					04	06	08	10	12	16	20	
31.11	HCW 0200042	Red Wire		18AWG,190mm	1	1	1	1	1			
31.12	HCW 0200043	Red Wire		18AWG,350mm	1	1	1	1	1			
31.13	HCW 0200044	Brown Wire		18AWG,100mm	2	2	2	2	2			
31.14	HCW 0200045	Brown Wire		18AWG,190mm	1	1	1	1	1			
31.15	HCW 0200046	Brown Wire		18AWG,365mm	1	1	1	1	1			
31.16	HCW 0200047	Blue Wire		18AWG,350mm	1	1	1	1	1			
32	0700009	Drywall Screws		No.8 lgth.1"	3	3	3	3	3			
33		Capacitor										
	HCW 0200048-1	For motor 1/30			1							
	HCW 0200048-2	For motor 1/4 and 1/8				1	1	1	1			