

WALL MOUNT - INDOOR UNIT

MODEL OF AIRCONDITIONER

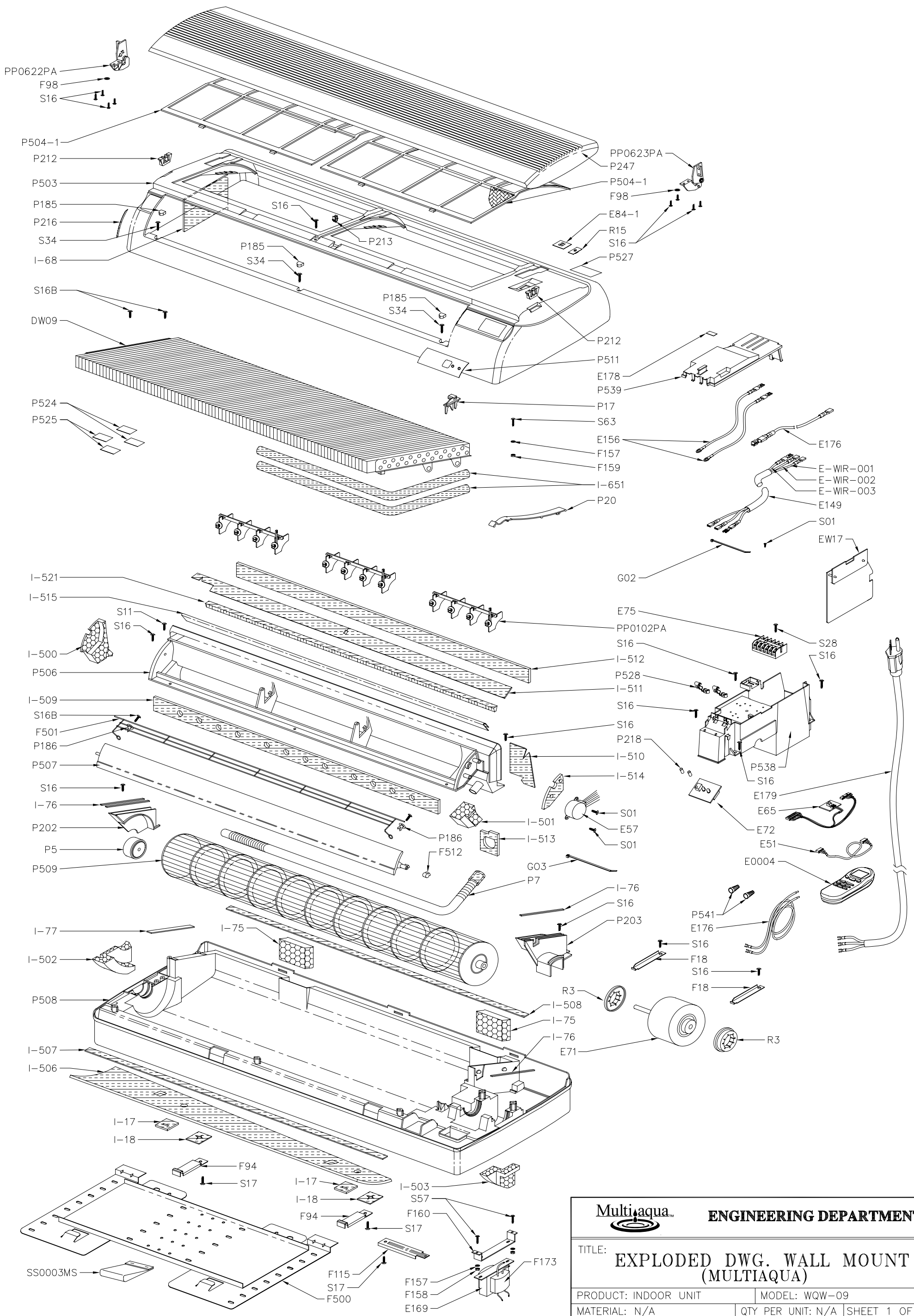
MHWW-09-H-1

PARTS LIST



MULTIAQUA, INC.
2701 S.W. 145 AVENUE, SUITE #220
MIRAMAR, FLORIDA 33027 U.S.A.
Tel: (954) 431-1300 • Fax: (954) 431-1303 • email: support@multiaqua.com
www.multiaqua.com

THIS DRAWING SHALL NOT BE COPIED WITHOUT A PRIOR WRITTEN PERMISSION FROM THIS COMPANY.



Multiaqua ENGINEERING DEPARTMENT

TITLE: **EXPLODED DWG. WALL MOUNT (MULTIAQUA)**

PRODUCT: INDOOR UNIT MODEL: WQW-09

MATERIAL: N/A QTY PER UNIT: N/A SHEET 1 OF 2

TOLERANCES UNLESS OTHERWISE SPECIFIED .X ±0.8 .XX ±0.30 SCALE: NTS HOLE SPACING AND LOCATION ±0.2 NON-CUMULATIVE

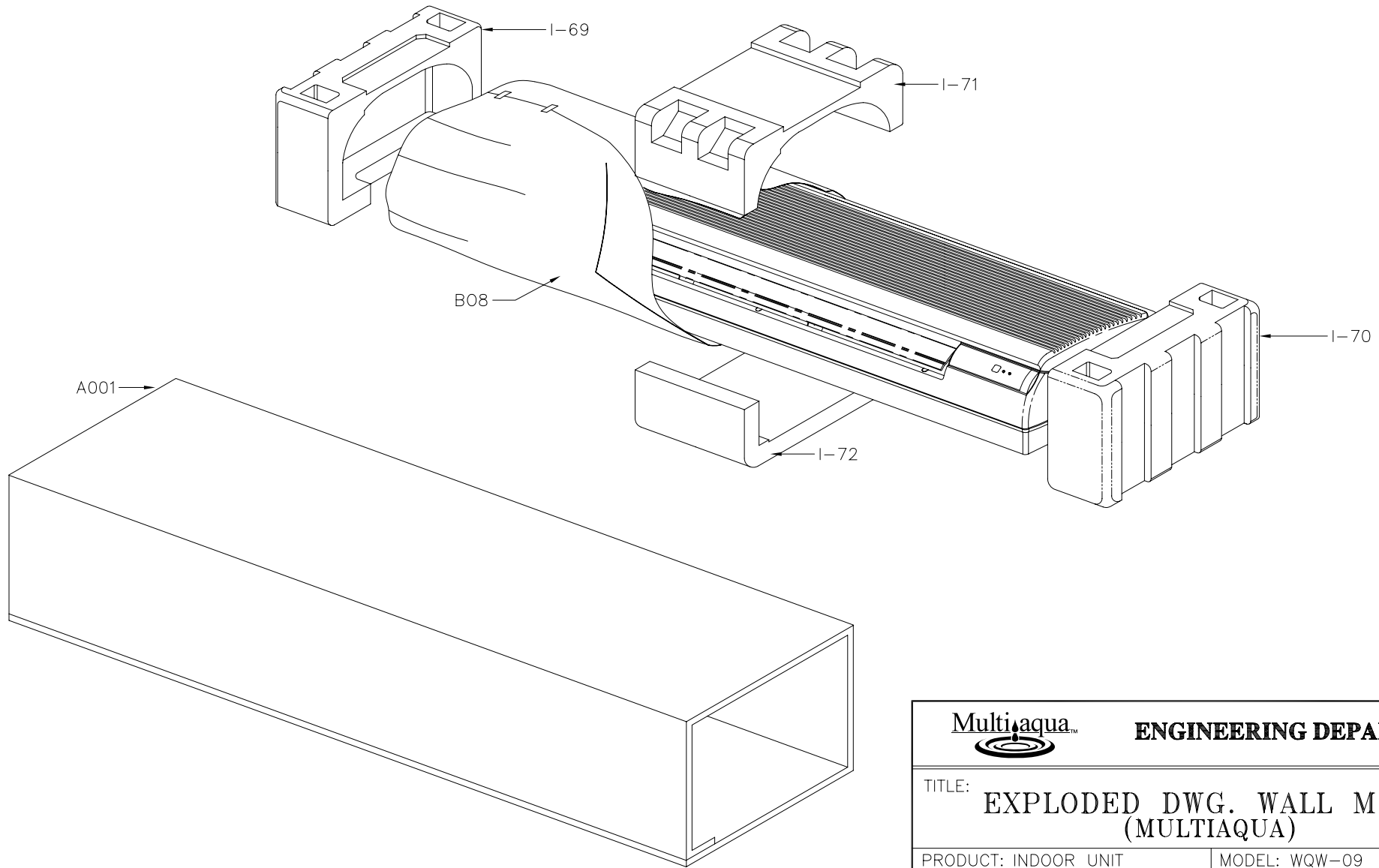
DRWN: R.M.A. DATE: 01AUG05 FN: EXPWQW09H_MUL

CHKD: W.J. DATE: 01AUG05 DWNG NO.: WQ05021B

APPD: F.S.R. DATE: 01AUG05 PART NO.: N/A

NO.	REVISION	DATE	REV BY	CHK BY	APPD BY
A	PARTS NO. WERE CHANGE AS PER BOM ISSUED ON 14JAN06	03JUL06	TH.ACH	R.M.A.	F.S.R.

THIS DRAWING SHALL NOT BE COPIED WITHOUT A PRIOR WRITTEN PERMISSION FROM THIS COMPANY.



A	PARTS NO. WERE CHANGE AS PER BOM ISSUED ON 14JAN06	03JUL06	TH.ACH	R.M.A.	F.S.R.
NO.	REVISION	DATE	REV BY	CHK BY	APPD BY

Multi aqua™		ENGINEERING DEPARTMENT	
TITLE: EXPLODED DWG. WALL MOUNT (MULTIAQUA)			
PRODUCT: INDOOR UNIT		MODEL: QW-09	
MATERIAL: N/A		QTY PER UNIT: N/A	SHEET 2 OF 2
TOLERANCES UNLESS OTHERWISE SPECIFIED	.X ±0.8	.XX ±0.30	SCALE: NTS
	HOLE SPACING AND LOCATION ±0.2 NON-CUMULATIVE		
DRWN: R.M.A.		DATE: 01AUG05	FN: EXPWQW09H_MUL
CHKD: W.J.		DATE: 01AUG05	DWNG NO.: WQ05021A
APPD: F.S.R.		DATE: 01AUG05	PART NO.: N/A

MHWW-09-H-1 PARTLIST

SEQ.	PART NO.	DESCRIPTION	UM	QTY
NO.	AIRCON			
1	A001	CARTON BOX SCREEN LOGO MULTIAQUA WQ-09/12S	PC	1
2	B08	AIR BUBBLE BAG 46 x 108 x 30 CM.	PC	1
3	DW09	WATER COIL : 2R x 3C x 3/8" Ø PLAIN TUBE x 20 FPI x SLIT FIN x FLARE CONNECTOR x Ø 1/2" x Ø 1/2"	SET	1
4	E51	WIRE HARNESS FOR IR RECEIVER	PC	1
5	E57	STEP MOTOR MODEL ST-35	PC	1
6	E65	AUXILLARY SWITCH WITH WIRE HARNESS	PC	1
7	E71	MOTOR RPS-16C 220V 50/60 Hz 12K	PC	1
8	E72	LAMPBOARD	PC	1
9	E75	TERMINAL BLOCK HP-T3036 (6P)	PC	1
10	E84-1	STICKER ON/OFF	PC	1
11	E149	INSULATION WIRE HARNESS	PC	1
12	E156	GROUND WIRE 13" 16AWG	PC	2
13	E169	TRANSFORMER 24V (CSE)	PC	1
14	E176	ELECTRICAL WIRE - YELLOW 17" 18AWG. W/QUICK CONNECTOR	PCS	2
15	E178	CONTROLLER FUSE STICKER	PC	1
16	E179	POWER SUPPLY CORD (SJOW 18AWG/3)	PC	1
17	E0004	REMOTE HANDSET (EPSILON) H/C SCREEN LOGO MULTIAQUA	PC	1
18	EW17	MAIN PCB "MICONTECH" WATER HEAT/COOL	PC	1
19	E-WIR-001	ELECTRICAL WIRE - RED 9" 18AWG. W/QUICK CONNECTOR	PC	1
20	E-WIR-002	ELECTRICAL WIRE - WHITE 9" 18AWG. W/QUICK CONNECTOR	PC	1
21	E-WIR-003	ELECTRICAL WIRE - YELLOW 9" 18AWG. W/QUICK CONNECTOR	PC	1
22	F18	BRACKET MOTOR WQ-09/12S/12	PCS	2
23	F94	PIPING CLAMP # 2	PCS	2
24	F98	FLAT WASHER Ø 7 x Ø 15 x 1.5 MM	PCS	2
25	F115	PIPING CLAMP # 1 WQ-12/18S/09/12S	PC	1
26	F157	STAR WASHER	PCS	6
27	F158	HEX. NUT M4x0.07 (METAL)	PCS	4
28	F159	HEX. NUT M4x0.07 (BRASS)	PCS	2
29	F160	BRACKET TRANSFORMER	PC	1
30	F173	TRANSFORMER ENCLOSURE	PCS	2
31	F500	BRACKET UNIT MOUNT WQ-09/12S	PC	1
32	F501	WIRE GUARD WQ-09/12S	PC	1
33	F512	METAL SLEEVE FOR HORIZONTAL LOUVER WQ-09/12S	PC	1
34	G02	TIE WIRE SMALL 4"	PCS	2
35	G03	TIE WIRE LG 8"	PC	1

36	I-17	INSUL BACK SEAL # 1 (PT 514)	PCS	2
37	I-18	INSUL BACK SEAL # 2 (PT 515)	PCS	2
38	I-68	INSUL FRAME SIDE	PC	1
39	I-69	FOAM PACKING LH # 041	PC	1
40	I-70	FOAM PACKING RH # 040	PC	1
41	I-71	FOAM PACKING TOP - MIDLE # 043	PC	1
42	I-72	FOAM PACKING BOTTOM - MIDLE # 042	PC	1
43	I-75	SEAL BLOCK FOAM 12/18S/09/12S	PCS	2
44	I-76	INSUL EVAP SUPPORT BOTTOM L/R	PCS	4
45	I-77	INSUL EVAP SUPPORT TOP - L	PC	1
46	I-500	INSUL.FOAM-DRAIN PAN LEFT (061)	PC	1
47	I-501	INSUL.FOAM INSERT-DRAIN PAN R (064)	PC	1
48	I-502	INSUL.FOAM BASE PAN BACK LEFT (060)	PC	1
49	I-503	INSUL.FOAM BASE PAN BACK RIGHT (059)	PC	1
50	I-506	INSUL. BASE PAN - BACK	PC	1
51	I-507	INSUL. BASE PAN - RAIL	PC	1
52	I-508	INSUL. BASE PAN - TOP	PC	1
53	I-509	INSUL. DEFLECTOR-DRAIN PAN	PC	1
54	I-510	INSUL. DRAIN PAN RIGHT SIDE	PC	1
55	I-511	INSUL. DRAIN PAN - STRIP	PC	1
56	I-512	INSUL. DRAIN PAN - TOP	PC	1
57	I-513	INSUL. DRAIN PAN WATER OUTLET	PC	1
58	I-514	INSUL. DRAIN PAN RIGHT	PC	1
59	I-515	GRAY CLOTH WITH PVC	PC	1
60	I-521	INSUL DRAIN PAN FRONT	PC	1
61	I-651	INSULATION TUBE 16 mm ID x 6 mm THK x 1000 mm L (AEROFLEX)	PCS	2
62	P5	NYLON PIVOT W/RUBBER	PC	1
63	P7	FLEXIBLE, DRAIN HOSE	PC	1
64	P17	SENSOR HOLDER	PC	1
65	P20	STRAP EVAP	PC	1
66	P185	SCREW COVER	PCS	3
67	P186	PLASTIC SCREW RIVET	PCS	2
68	P202	EVAP SUPPORT LH	PC	1
69	P203	EVAP SUPPORT RH	PC	1
70	P212	LOCK SIDE	PCS	2
71	P213	LOCK CENTER	PC	1
72	P216	STICKER LOUVER	PC	1
73	P218	LAMP SLEEVE	PCS	2
74	P247	DECO PANEL SCREEN LOGO MULTIAQUA	PC	1

75	P503	FRAME GRILL WQ-09/12S	PC	1
76	P504-1	AIR FILTER WQ-09/12S (GREEN)	PCS	2
77	P506	DRAIN PAN WQ-09/12S	PC	1
78	P507	HORIZONTAL LOUVER WQ-09/12S	PC	1
79	P508	BASE PAN WQ-09/12S	PC	1
80	P509	BLOWER Ø 100 x 695 MM	PC	1
81	P511	DISPLAY MEMBRANE	PC	1
82	P524	"WATER IN" STICKER	PCS	2
83	P525	"WATER OUT" STICKER	PCS	2
84	P527	STICKER WARNING	PC	1
85	P528	WIRE CLAMP	PCS	2
86	P538	CONTROL BOX	PC	1
87	P539	CONTROL BOX COVER	PC	1
88	P541	WIRE CONNECTOR	PCS	2
89	PP0102PA	DEFLECTOR ASSY WQ-09/12S/12/18S	SET	3
90	PP0622PA	HINGE LH ASSY WQ-SERIES	SET	1
91	PP0623PA	HINGE RH ASSY WQ-SERIES	SET	1
92	R3	RUBBER MOTOR	PCS	2
93	R15	RUBBER CAP	PC	1
94	S01	SCREW 4x10 MM (SMALL HEAD)	PCS	4
95	S11	SCREW 4x16 MM (8x3/4") (POINTED)	PC	1
96	S16	SCREW 4x12 MM	PCS	20
97	S16B	SCREW 4x12 MM (BLACK) FOR WIRE GUARD & COIL	PCS	4
98	S17	SCREW 4x10 MM	PCS	4
99	S28	SCREW 4x19 MM (6x3/4") NIKEL	PC	1
100	S34	SCREW 4x12 MM (8x1/2") POINTED	PCS	7
101	S57	SCREW 4x8 MM (SMALL HEAD)	PCS	4
102	S63	SCREW 4x12 MM (BRASS)	PC	1
103	SS0003MS	SCREW FOR BRACKET UNIT MOUNT	SET	1