

WALL MOUNT - INDOOR UNIT

MODEL OF AIRCONDITIONER

MHWX-36-C-1

PARTS LIST



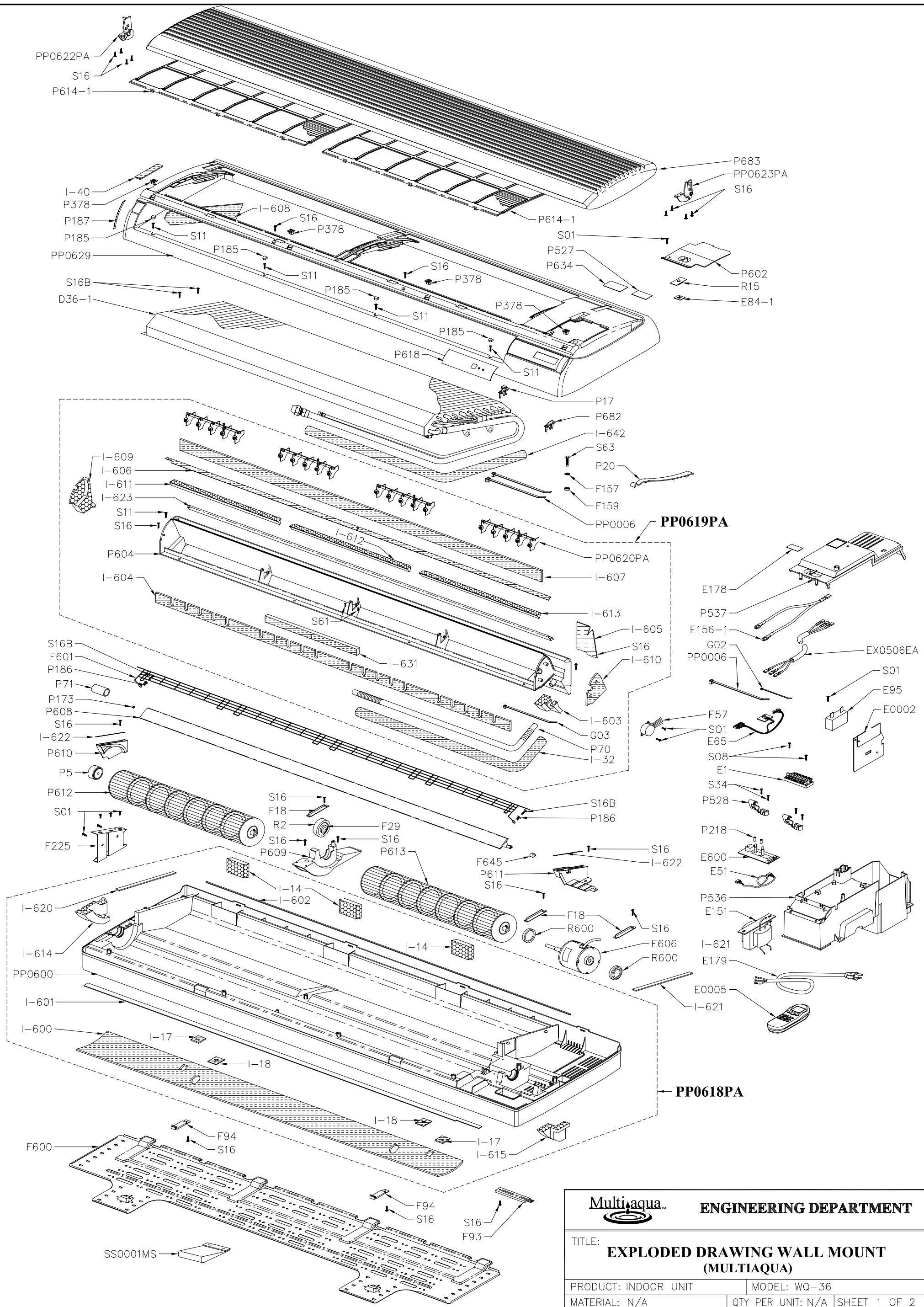
MULTIAQUA, INC.

2701 S.W. 145 AVENUE, SUITE #220
MIRAMAR, FLORIDA 33027 U.S.A.

Tel: (954) 431-1300 • Fax: (954) 431-1303 • email: support@multiaqua.com

www.multiaqua.com

THIS DRAWING SHALL NOT BE COPIED WITHOUT A PRIOR WRITTEN PERMISSION FROM THIS COMPANY.

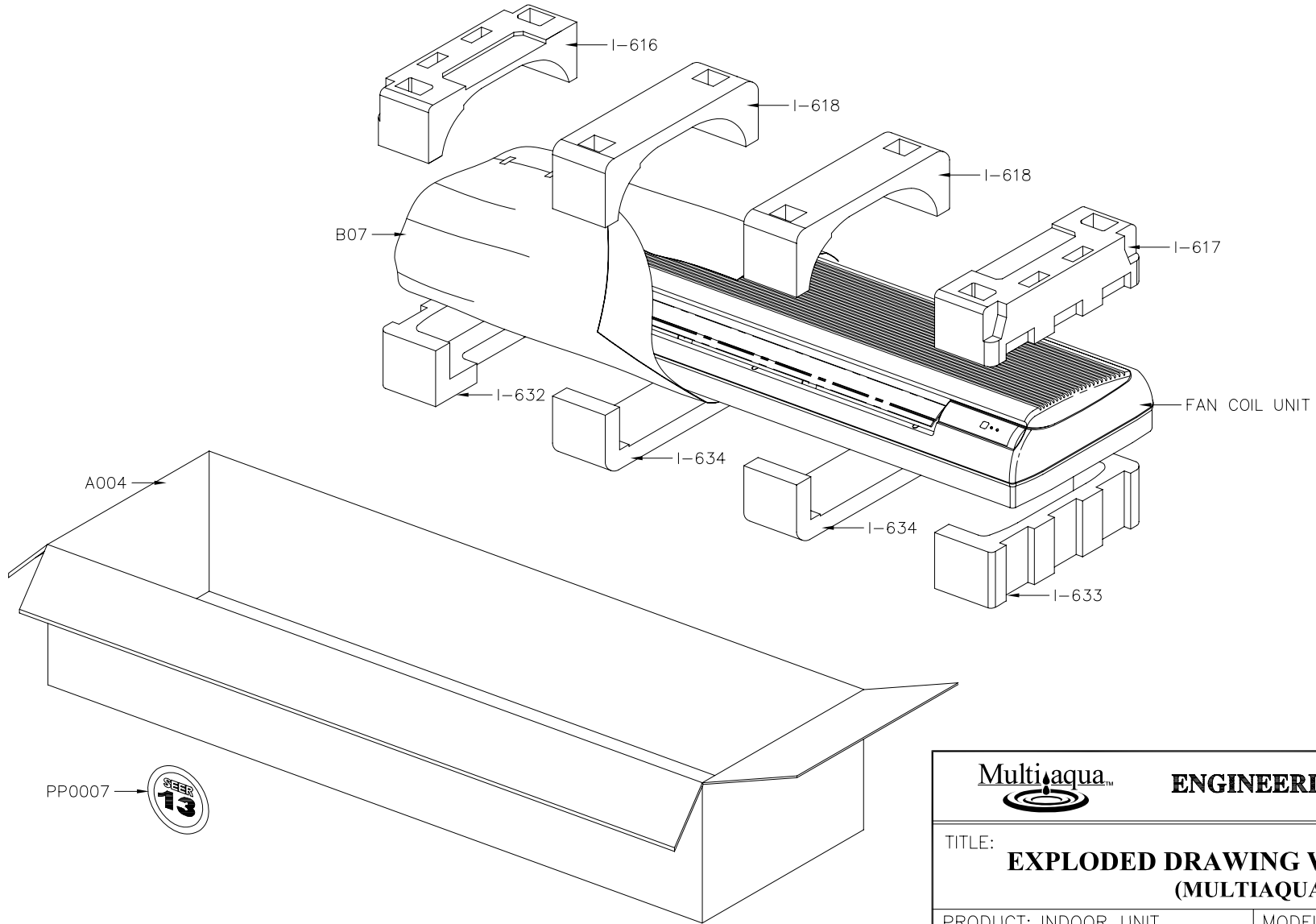



Multiaqua ENGINEERING DEPARTMENT

TITLE: EXPLODED DRAWING WALL MOUNT (MULTIAQUA)		
PRODUCT: INDOOR UNIT	MODEL: WQ-36	
MATERIAL: N/A	QTY PER UNIT: N/A	SHEET 1 OF 2
TOLERANCES UNLESS OTHERWISE SPECIFIED	.X ±0.8	.XX ±0.30
	SCALE: NTS	
DRWN: R.M.A.	DATE: 17DEC03	FN: EXPWQ36C_MUL
CHKD: W.J.	DATE: 19DEC03	DWNG NO.: WQ03100B
APPD: F.S.R.	DATE: 19DEC03	PART NO.: N/A


B	PARTS NO. WERE CHANGE AS PER BOM ISSUED ON 31OCT06	01NOV06	R.M.A	R.M.A.	F.S.R.
A	PARTS NO. WERE CHANGE AS PER BOM ISSUED ON 22MAR06	03JUL06	TH.ACH	D.P.A.	F.S.R.
NO.	REVISION	DATE	REV BY	CHK BY	APPD BY

THIS DRAWING SHALL NOT BE COPIED WITHOUT A PRIOR WRITTEN PERMISSION FROM THIS COMPANY.



PP0007 → 

B	PARTS NO. WERE CHANGE AS PER BOM ISSUED ON 31OCT06	01NOV06	R.M.A	R.M.A.	F.S.R.
A	PARTS NO. WERE CHANGE AS PER BOM ISSUED ON 22MAR06	03JUL06	TH.ACH	D.P.A.	F.S.R.
NO.	REVISION	DATE	REV BY	CHK BY	APPD BY

		ENGINEERING DEPARTMENT	
TITLE: EXPLODED DRAWING WALL MOUNT (MULTIAQUA)			
PRODUCT: INDOOR UNIT		MODEL: WQ-36	
MATERIAL: N/A		QTY PER UNIT: N/A	SHEET 2 OF 2
TOLERANCES UNLESS OTHERWISE SPECIFIED		.X ±0.8	.XX ±0.30
HOLE SPACING AND LOCATION ±0.2 NON-CUMULATIVE			
DRWN: R.M.A.		DATE: 17DEC03	FN: EXPWQ36C_MUL
CHKD: W.J.		DATE: 19DEC03	DWNG NO.: WQ03100A
APPD: F.S.R.		DATE: 19DEC03	PART NO. : N/A

MHWX-36-C-1 PARTLIST

SEQ. NO.	PART NO. AIRCON	DESCRIPTION	UM	QTY
1	A004	CARTON BOX SCREEN LOGO MULTIAQUA WQ-36	PC	1
2	B07	AIR BUBBLE 120x180 CM.	PC	1
3	D36-1	EVAP. COIL WQ-36 : 11" x 1178.0 mm x 3R x 5C x 3/8" Ø GROOVE TUBE x 18 FPI COATED PLAIN FIN x FEEDER Ø 3/16" (OD) , 1/8" (ID) x LIQ. FLARE Ø 3/8" x SUCTION FLARE Ø 3/4" SPRING Ø 3/8" FLEXIBLE COPPER TUBE Ø 7/8" (ID) INLET x Ø 3/4" (ID) OUTLET 650 MM. L	SET	1
4	E1	TERMINAL BLOCK (6 POLE)	PC	1
5	E51	WIRE HARNESS FOR IR RECIEVER	PC	1
6	E57	STEP MOTOR ST-35 130	PC	1
7	E65	AUXILIARY SWITCH W/WIRE HARNESS	PC	1
8	E84-1	ON / OFF STICKER	PC	1
9	E95	CAPACITOR 2.5 mfd x 450 VAC	PC	1
10	E151	TRANFORMER 24V	PC	1
11	E156-1	GROUND WIRE 13" 16AWG	SET	1
12	E178	STICKER CONTROLLER FUSE	PC	1
13	E179	POWER SUPPLY CORD	PC	1
14	E600	LAMP BOARD	PC	1
15	E606	MOTOR LC-14558 60W 60 Hz SPEED HIGH - MED - LOW	PC	1
16	E0002	MAIN PCB MICONTECH DX COOL ONLY (PROGRAM NO. SSPJL103B)	PC	1
17	E0005	REMOTE HANDSET (EPSILON) COOL SCREEN LOGO MULTIAQUA	PC	1
18	EX0506EA	WIRE HARNESS (RED+WHITE+BLUE) x AWG.16 WIRE x 15" LONG	SET	1
19	F18	BRACKET MOTOR WQ12/18/24 (RoHS)	PCS	3
20	F29	CENTER BEARING 24K	PCS	1
21	F93	PIPING CLAMP # 1 (RoHS)	PCS	1
22	F94	PIPING CLAMP # 2 (RoHS)	PCS	2
23	F157	STAR WASHER	PCS	3
24	F159	HEX. NUT M4 x 0.07 (BRASS)	PCS	2
25	F225	END PLATE SUPPORT-LEFT(JUMBO BODY) (RoHS)	PCS	1
26	F600	MOUNTING BRACKET WQ-36 (RoHS)	PCS	1
27	F601	WIRE GUARD	PC	1
28	F645	METAL SLEEVE FOR LOUVER WQ-36 (RoHS)	PCS	1
29	G02	TIE WIRE SMALL 4	PCS	2

MHWX-36-C-1 PARTLIST

SEQ. NO.	PART NO. AIRCON	DESCRIPTION	UM	QTY
30	I-40	INSUL FRAME FRONT - LH (PT 511) WQ/WN/WJ-18/24/30/36/42	PCS	1
31	I-608	INSUL FRAME SIDE - LH WQ/WN/WJ-36/42	PCS	1
32	I-616	FOAM PACKING TOP LH #067 WQ/WN/WJ-36/42 (RoHS)	PCS	1
33	I-617	FOAM PACKING TOP RH #065 WQ/WN/WJ-36/42 (RoHS)	PCS	1
34	I-618	FOAM PACKING TOP MID #002 WQ/WN/WJ-36/42 (RoHS)	PCS	2
35	I-621	INSUL BASE PAN SUPPORT - TOP R WQ/WN/WJ-36/42	PCS	1
36	I-622	INSUL BASE PAN SUPPORT - BOT R/L WQ/WN/WJ-36/42	PCS	2
37	I-632	FOAM PACKING BOTTOM - L WQ/WN/WJ-36/42 #083 (RoHS)	PCS	1
38	I-633	FOAM PACKING BOTTOM - R WQ/WN/WJ-36/42 #079 (RoHS)	PCS	1
39	I-634	FOAM PACKING BOTTOM - M WQ/WN/WJ-36/42 #008 (RoHS)	PCS	2
40	I-642	INSUL TUBE 35mm IDx5mm THKx1420mm L (RoHS)	PCS	1
41	P5	NYLON PIVOT W/RUBBER WQ09-WQ42	PCS	1
42	P17	SENSOR HOLDER	PCS	1
43	P20	STRAP EVAP	PCS	1
44	P71	CONNECTOR DRAIN HOSE	PCS	1
45	P173	BUSHING	PCS	1
46	P185	SCREW COVER	PCS	4
47	P186	PLASTIC SCREW RIVET	PCS	2
48	P187	LOUVER STICKER	PCS	1
49	P218	LAMP SLEEVE	PCS	2
50	P378	LOCK PIN HOLDER WN-24	PCS	4
51	P527	WARNING LABEL	PC	1
52	P528	WIRE CLAMP	PCS	2
53	P536	CONTROL BOX	PC	1
54	P537	CONTROL BOX COVER	PC	1
55	P602	TERMINAL COVER (FRAME GRILL-LH)	PCS	1
56	P608	HORIZONTAL LOUVER WQ-36	PCS	1
57	P609	HOLDER (CENTER BEARING) WQ-36	PCS	1
58	P610	EVAP SUPPORT LHS WQ-36	PCS	1
59	P611	EVAP SUPPORT RHS WQ-36	PCS	1
60	P612	CROSS FLOW FAN 107.9mm. x 572mm. LH	PCS	1
61	P613	CROSS FLOW FAN 107.9mm. x 572mm. RH	PCS	1
62	P614-1	ANTI BACTERIA FILTER WQ-36	PCS	2
63	P618	DISPLAY MEMBRANE WQ-36	PCS	1

MHWX-36-C-1 PARTLIST

SEQ. NO.	PART NO.	DESCRIPTION	UM	QTY
	AIRCON			
64	P634	STICKER FREQUENCY WQ/WJ-36/42	PCS	1
65	P682	PLASTIC SPACER	PCS	1
66	P683	DECO PANEL SCREEN LOGO MULTIAQUA	PC	1
67	PP0006	TIE WIRE 8 (RoHS)	PCS	3
68	PP0629	FRAME GRILLE (FINISHED)	PC	1
69	PP0618PA	BASE PAN ASY 36/42	SET	1
69.1	PP0600	BASE PAN ASY 36/42 (FINISHED)	PCS	1
69.2	I-14	FOAM INSUL SEAL BLOCK WQ/WN/WJ-18/24/30/36/42	PCS	3
69.3	I-17	INSUL BACK SEAL # 1 (PT 514) WQ/WN/WJ-09/12S/12/18S/18/24/30/36/42	PCS	2
69.4	I-18	INSUL BACK SEAL # 2 (PT 515) WQ/WN/WJ-09/12S/12/18S/18/24/30/36/42	PCS	2
69.5	I-600	INSUL BASE PAN - BACK WQ/WN/WJ-36/42	PCS	1
69.6	I-601	INSUL BASE PAN RAIL WQ/WN/WJ-36/42	PCS	1
69.7	I-602	INSUL BASE PAN TOP WQ/WN/WJ-36/42	PCS	1
69.8	I-614	FOAM INSUL BASE PAN BACK LH #073 WQ/WN/WJ-36/42 (RoHS)	PCS	1
69.9	I-615	FOAM INSUL BASE PAN BACK RH #074 WQ/WN/WJ-36/42 (RoHS)	PCS	1
69.10	I-620	INSUL BASE PAN SUPPORT - TOP L WQ/WN/WJ-36/42	PCS	1
70	PP0619PA	DRAIN PAN ASY 36/42	SET	1
70.1	P604	DRAIN PAN WQ-36	PCS	1
70.2	G03	TIE WIRE LG 8 x 3.4 (RoHS)	PCS	1
70.3	I-32	INSUL DRAIN HOSE WQ/WN/WJ-18/24/30/36/42	PCS	1
70.4	I-623	GRAY CLOTH WITH PVC WQ/WN/WJ36/42	PCS	1
70.5	I-603	INSUL FOAM DRAIN PAN WATER OUTLET #068 WQ/WN/WJ-36/42 (RoHS)	PCS	1
70.6	I-604	INSUL DEFLECTOR WQ/WN/WJ-36/42	PCS	1
70.7	I-605	INSUL DRAIN SIDE - R WQ/WN/WJ-36/42	PCS	1
70.8	I-606	INSUL DRAIN PAN STRIP WQ/WN/WJ-36/42	PCS	1
70.9	I-607	INSUL DRAIN PAN TOP WQ/WN/WJ-36/42	PCS	1
70.10	I-609	FOAM INSUL DRAIN PAN - LH #069 WQ/WN/WJ-36/42 (RoHS)	PCS	1
70.11	I-610	INSUL DRAIN PAN - RH WQ/WN/WJ-36/42	PCS	1
70.13	I-611	FOAM INSUL FRONT -1 #004 WQ/WN/WJ-36/42 (RoHS)	PCS	1
70.14	I-612	FOAM INSUL FRONT -2 #005 WQ/WN/WJ-36/42 (RoHS)	PCS	1
70.15	I-613	FOAM INSUL FRONT -3 #006 WQ/WN/WJ-36/42 (RoHS)	PCS	1
70.16	I-631	INSUL MUFFLER WQ/WN/WJ-36/42	PCS	1
70.17	P70	DRAIN HOSE FOR WQ18/24/30/36/42	PCS	1
70.18	PP0620PA	DEFLECTOR ASY	SET	4

MHWX-36-C-1 PARTLIST

SEQ.	PART NO.	DESCRIPTION	UM	QTY
NO.	AIRCON			
71	PP0622PA	HINGE ASY - LH WQ-SERIES	SET	1
72	PP0623PA	HINGE ASY - RH WQ-SERIES	SET	1
73	R2	RUBBER CENTER BEARING	PCS	1
74	R15	RUBBER CAP WQ-09-18S	PCS	1
75	R600	RUBBER MOTOR LC-14556 WQ-36	PCS	2
76	S01	SCREW 4 x 10 MM RoHS)	PCS	9
77	S08	SCREW 6 x 3/4" MM (RoHS)	PCS	2
78	S11	SCREW 8 x 3/4" MM (RoHS)	PCS	5
79	S16	SCREW 4 x 12 MM (RoHS)	PCS	28
80	S16B	SCREW 4 x 12 MM (RoHS)	PCS	4
81	S34	SCREW 8 X 1/2" mm.	PCS	4
82	S61	SCREW 4 X 12 mm. (SMALL HEAD)	PCS	4
83	S63	SCREW 4 X 12 mm. (BRASS)	PC	1
84	SS0001MS	SCREW SET FOR 36	SET	1