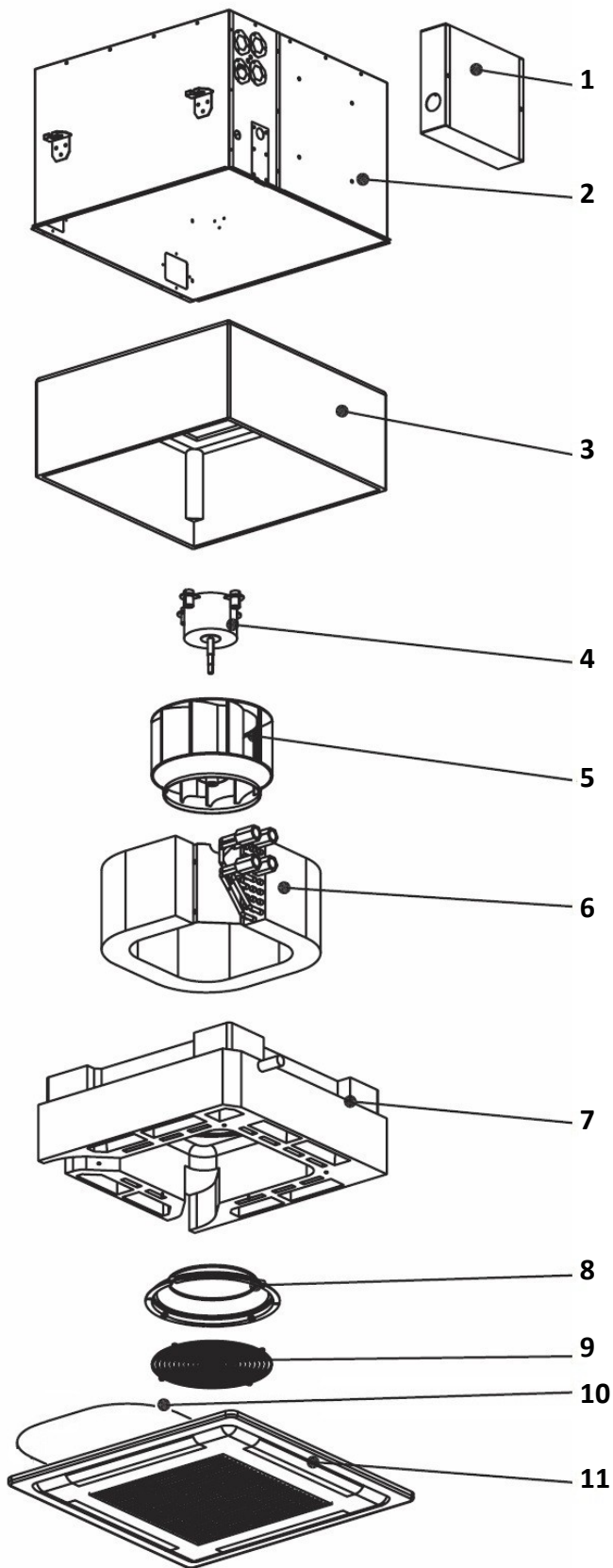


MHCFC4W– 04 Exploded View



1. Electrical Panel
2. Unit Cabinet
3. Cabinet Insulation
4. Fan Motor
5. Fan Blade
6. Coil Assembly
7. Condensate Pan Assembly
8. Fan Venturi
9. Fan Blade Guard
10. Filter Element
11. Cover Assembly